

OCTAGON GAZEBO

Precut

INSTRUCTIONAL MANUAL

CEDARSHED Industries
9770 - 199A Street
Langley, BC V1M 2X7
Canada



TABLE OF CONTENTS

INTRODUCTION	page 2
▶ Care & Cosmetics of your Octagon Gazebo	3
▶ Parts List	4
▶ Wait, Don't Cut	7
SECTION A: SITE SELECTION	8
SECTION B: FLOOR ASSEMBLY	9
▶ Floor Joist Assembly	10
▶ Floor Levelling	13
▶ Screen Kit Option	14
▶ Decking	15
SECTION C: WALL ASSEMBLY	17
▶ Sidewall Section	18
▶ Wall Section Assembly	19
▶ Mounting the Wall Sections	21
▶ Bench Option	26
SECTION D: ROOF ASSEMBLY	27
▶ Rafter Assembly	28
▶ Two-Tier Option Assembly	32
▶ Roofing	35
▶ Roofing Paper	40
▶ Shingles and Ridgecaps	41
▶ Gazebo Cap	43
▶ Cupola Option	44

OCTAGON GAZEBO

INTRODUCTION

Your Cedarshed Octagon Pre-cut Gazebo, made of Western Red Cedar, is easy to assemble if you follow these instructions. Before you start assembly, read through the instructions once, familiarize yourself with the Gazebo parts, and obtain the necessary hardware and tools.

The main steps in the assembly sequence are:

- A SITE SELECTION**
- B FLOOR ASSEMBLY**
- C WALL ASSEMBLY**
- D ROOF ASSEMBLY**

If you have chosen any optional accessories, such as a Cupola, Two-Tier Roof, or Screen Package, this instruction manual will indicate when and how they are installed. If you decide to add these accessories now or in the future, you may purchase them from your Authorized Cedarshed Dealer.

The assembly of your Gazebo requires two people. The total time for assembly is approximately 32-40 person hours. A third person is sometimes helpful.

A FEW WORDS ABOUT THE CARE AND COSMETICS OF YOUR GAZEBO

Your Cedarshed Octagon Pre-cut Gazebo is made of Western Red Cedar, a beautiful and durable outdoor wood that will enhance your leisure space, enhance your property, and provide years of enjoyable use.

Natural, unfinished Western Red Cedar, when exposed to the elements, will weather to a beautiful silvery gray. If you prefer to maintain the natural tones of Western Red Cedar, please ask your Authorized Cedarshed Dealer to recommend a quality stain, which is best applied after assembly.

Several items, such as headers and fascia boards, vary in appearance. You may wish to place the "best" pieces where they'll be most visible at the front, near the doorway.

You may also notice occasional coloured chalk or crayon markings on parts of the wood. These markings can be removed with a damp cloth or a very fine sandpaper.

When we package your Gazebo for shipping, it is wrapped in an environmentally-friendly paper product and held in place by staples. Be sure that all of the staples are removed — a pair of pliers may be necessary.

NOTE:

Assembly of the Gazebo will require the use of power tools and certain applications will require a ladder. Please take precautions at all times.

The customer agrees to hold Cedarshed and any of our Authorized Dealers free of liability due to improper installation, maintenance and repair of any Cedarshed products.

Obtaining necessary permits is the sole responsibility of the purchaser.

OCTAGON GAZEBO**PARTS LIST**

To confirm you have received all parts, sort pieces according to usage. Call or e-mail us immediately if you are missing any parts and we will courier any part(s) within seven (7) days, free of charge.

Toll Free Customer Support Line: **1 800 830-8033**.

E-mail: sales@cedarshed.com

When contacting us, please quote your Serial and Inspector numbers found on our checklist.

If you will be working on a Cedarshed product over the course of several days, please cover any pieces to keep sheltered from the elements.

1. Floor Assembly

- 8 Rim Joists
- 8 Long Floor Joists
- 16 Short Floor Joists
- 8 Bundles of Decking
- 1 4" Core Block
- 1 Centre Deck Piece

2. Wall Assembly

- 8 Right Posts
- 8 Left Posts
- 8 Headers
- 7 Rail Support Blocks
- 16 Corner Brackets
- 8 1x3 Vertical Fascia Strips
- 7 Top Rails
- 7 Bottom Rails
- 14 Sidewall Fillets
- 84 2x2 Balusters for 12' Gazebo or
- 105 2x2 Balusters for 14' Gazebo

3. Roof Assembly

- 1 Roof Core Block
- 8 Long Roof Rafters
- 8 Centre Roof Rafters
- 8 Fascia Boards
- Roll of Roofing Felt for T&G Batten Ceiling
- 6 Bundles of Battens
- 2-4 Bundles of Ridge Caps
- Several Bundles of Straight Cut Shingles
- 3-4 Bundles of Angle Cut Shingles
- 1 Gazebo Cap
- 2 Baluster Spacer Block Templates used for Baluster Sections (found with Instruction Manual)
- Assembly Video
- Hardware Package:
 - 1 box of 3" Screws
 - 1 box of 2" Screws
 - 1 bag of 1 1/8" Shingle Nails
 - 1 bag of 1 3/4" Finishing Nails
 - 1 bag of 2" Casing Nails

4. Options**TWO-TIER ROOF**

- 1 Two-Tier Core Block
- 8 Two-Tier Rafter Bottoms
- 8 2x2 Two-Tier Rafter Tops
- 24 Two-Tier Rafter Blocks
- 8 Additional 1x4 Battens or
- 16 Additional T&G Battens
- 8 Two-Tier Face Rail Baluster Sets
- 16 Two-Tier Face Rail Support Posts (8 Left & 8 Right)

BENCHES (PER SINGLE BENCH)

- 2 Legs
- 1 Bench Seat

CUPOLA

- 8 Side Panels
- 1 Large Cap (Cupola Roof)
- 1 Small Cap

TOOLS REQUIRED

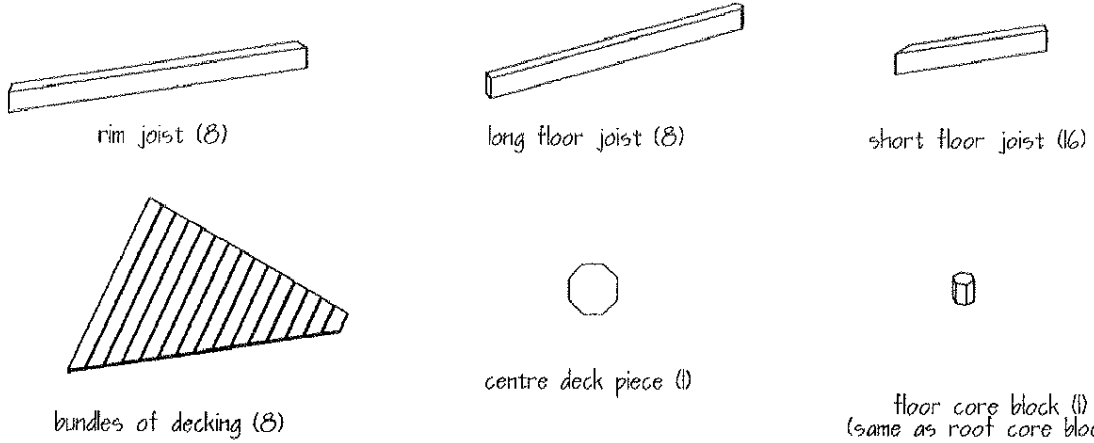
- ▶ 6' and 8' step ladder
- ▶ Hammer(s)
- ▶ Electric power drill(s) or cordless drill(s) [with extra batteries] with appropriate screw bits
- ▶ 3' Carpenter's level
- ▶ Measuring tape
- ▶ Pliers
- ▶ 1/8" drill bit
- ▶ Garden shovel [for site work]
- ▶ Exacto knife (optional for screen kit)
- ▶ Staple gun (T&G ceiling/screen kit)
- ▶ Pencil

NOT INCLUDED IN KIT:

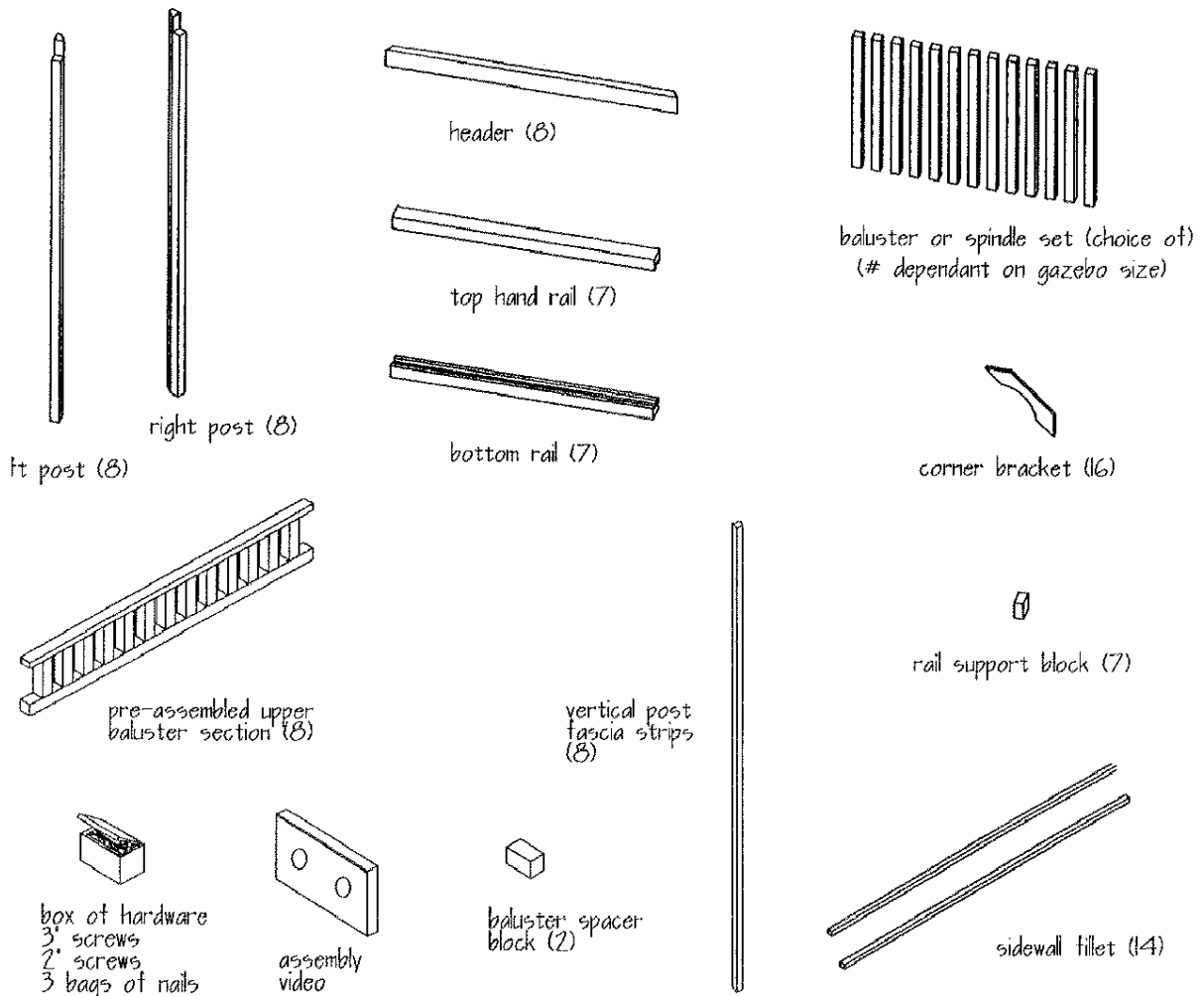
- ▶ Patio stones for a level and secure foundation
- ▶ Construction adhesive
- ▶ Deck stain

OCTAGON GAZEBO

PARTS LIST - Octagon (quantity in brackets)
FLOOR ASSEMBLY

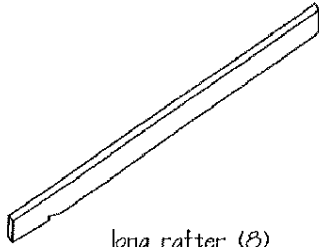


WALL ASSEMBLY

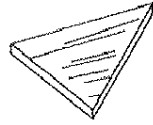


OCTAGON GAZEBO

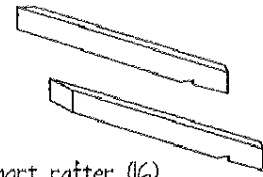
PARTS LIST - Octagon (quantity in brackets)
ROOF ASSEMBLY



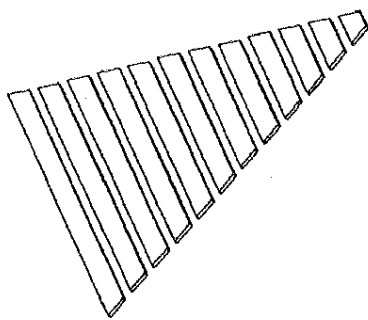
long rafter (8)



angle-cut shingles
bundles (3-4)



short rafter (16)



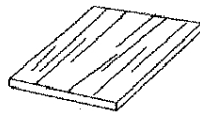
batters sheathing (1x4 or t&g)
(# of bundles dependant on gazebo size)



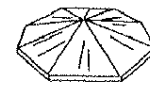
ridge caps
(# of bundles dependant on gazebo size)



root core block (1)
(same as floor core block)



shingles
(# of bundles dependant
on gazebo size)



gazebo cap (1)

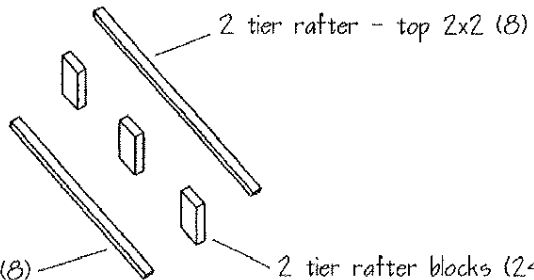


fascia (8)

OPTIONAL



2 tier core block (1)

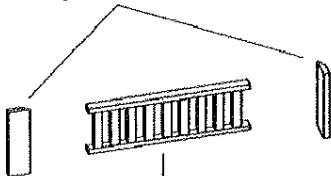


2 tier rafter - top 2x2 (8)

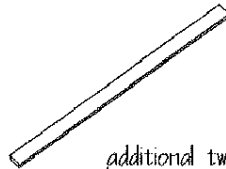
2 tier rafter - bottom 1x2 (8)

2 tier rafter blocks (24)

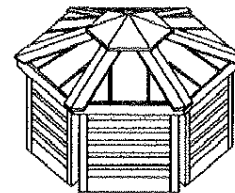
2 tier face rail
support post
left (8)
right (8)



2 tier face rail
baluster sets (8)



additional two tier
battens
1x4 battens (8)
t&g battens (16)



partially assembled cupola (1)
cupola sidewalls (8)
cupola cap (1)

WAIT, DON'T CUT!

All pieces included in your kit are already precision cut to exacting specifications, except for the Two-Tier Roof Option. You will be required to modify a few pieces of the T&G roof battens for a snug fit. Otherwise, please do not cut anything else.

SCREWS vs. NAILS

You will see references to the use of both screws and nails throughout this manual. For most applications, using screws and/or glue is far superior to the use of nails. Although some of the diagrams show a nail, we suggest that a screw be used. The illustrated nails are symbols only, intended to show a pattern or suggested placement. For example, when the term "toe-nail" is used, we refer to the fastening method and not the use of a nail. Use your judgement, remembering that a couple of well placed screws will hold better than a dozen nails. However, there are assemblies requiring only nails, and they are specified in the manual.

USING CONSTRUCTION ADHESIVE

We recommend using an exterior construction adhesive at key joints to help strengthen the Gazebo.

OCTAGON GAZEBO**A. SITE SELECTION**

As your Gazebo CANNOT BE MOVED once it is assembled, it is very important to select and prepare a suitable site before assembly begins. Take some time now to plan the orientation and siting of your building to suit your particular site requirements.

Be sure to allow for a 12" (31 cm) roof overhang on all sides of the Gazebo.

It is important that your site surface is flat and stable.

The following table shows the area required for your Gazebo:

SIZE OF GAZEBO	AREA REQUIRED	VERTICAL CLEARANCE
12'	14'5" X 14'5"	10'8"
14'	16'8" x 16'8"	11'3"

Remember to take the roof overhang into account when determining the area required. The overhang is included in the figures in the above table.

Allow an additional 12" in the vertical clearance if you have selected the cupola option.

Allow an additional 8" in the vertical clearance if you have selected the two-tier roof option.

If you have a two-tier roof AND a cupola, allow for 20" extra clearance.

At this time you may choose to place the eighteen 2" patio stones in their approximate positions on the Gazebo site (see page 13). This is advisable if you do not have extra yard space in which to construct the floor.

EXPERT ADVICE:

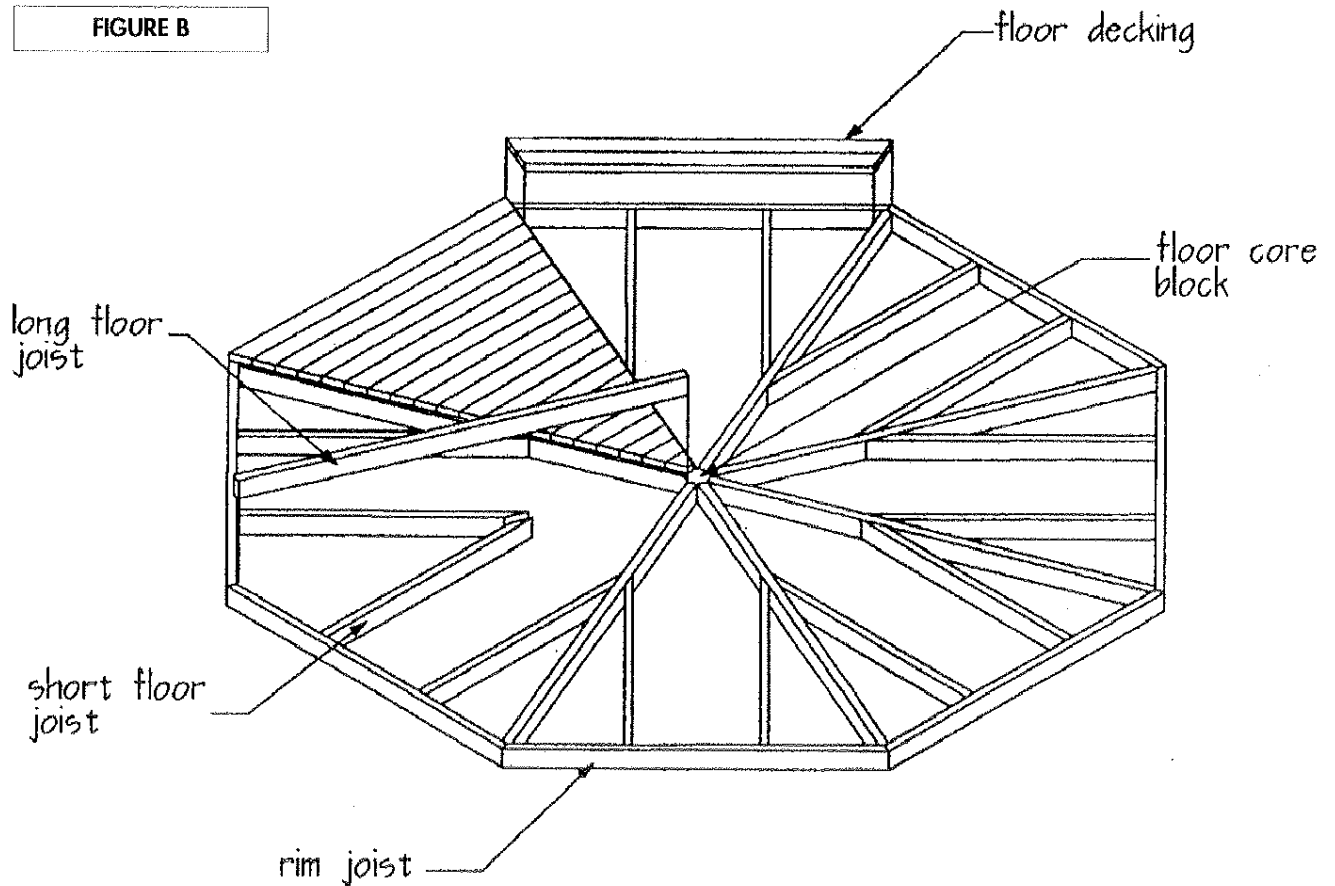
Try using landscape cloth to prevent unwanted grass or weeds from growing up through your deck. Lay the landscape cloth under the deck joists.

B. FLOOR ASSEMBLY

Floor assembly can be divided into two stages. First, the joists are assembled to form the floor structure. Secondly, the decking is screwed onto the floor joists [see Figure B].

Note that the 8 rim joists and the 8 headers (used in the roof assembly) are the same size. The 8 headers are marked on one end with a red crayon.

FIGURE B



OCTAGON GAZEBO

FLOOR JOIST ASSEMBLY

1. Place the 8 rim joists in an octagon shape, as shown in **Figure B1**.
2. Using three 3" screws, fasten the rim joists at each joint. Fastening two screws left to right and one right to left at each joint will strengthen the Gazebo base [see **Figure B2**].

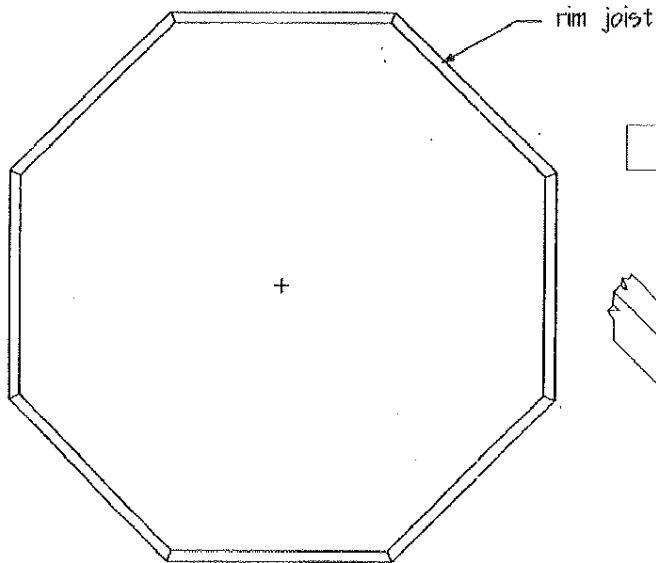


FIGURE B1

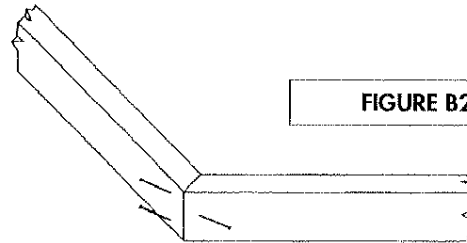


FIGURE B2

3. Put the 8 long floor joists into place. The bevelled or pointed end of the long floor joists fits into the angle formed by the rim joists, as shown in **Figure B3**.
4. Put the 4" floor core at the centre. Toe-nail the floor joist into the core block [see **Figure B4**]. We recommend pre-drilling the 2x4 floor joists where they butt up against the core block to avoid splitting.

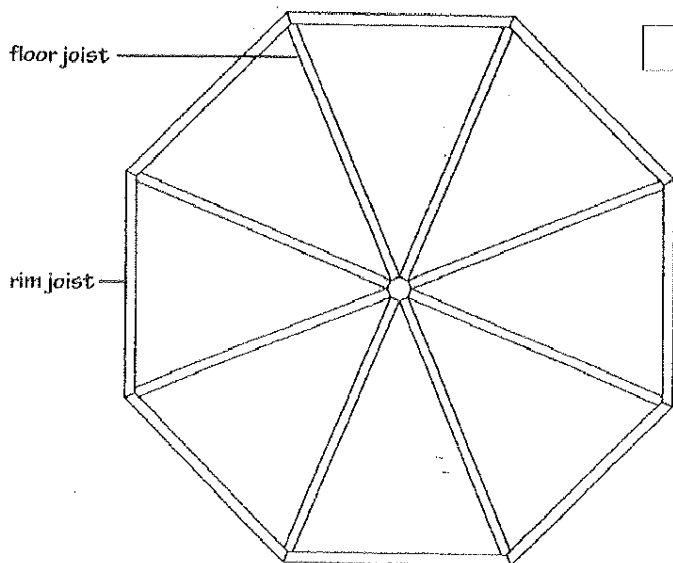


FIGURE B3

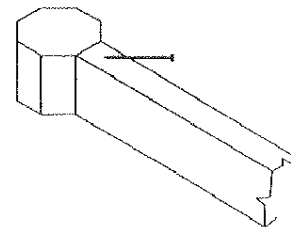


FIGURE B4

OCTAGON GAZEBO

- Using two 3" screws at each joint, fasten the 8 long floor joists to the rim joists [Figure B5].
- Put the 16 short floor joists into place [see Figure B6]. Each short floor joists should be at right angles to the adjoining rim joist.

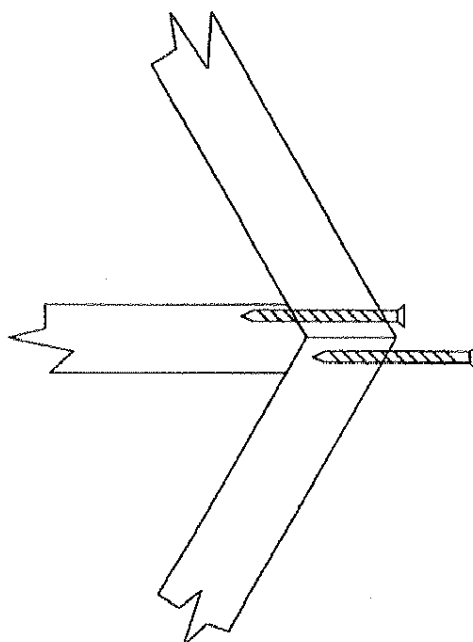


FIGURE B5

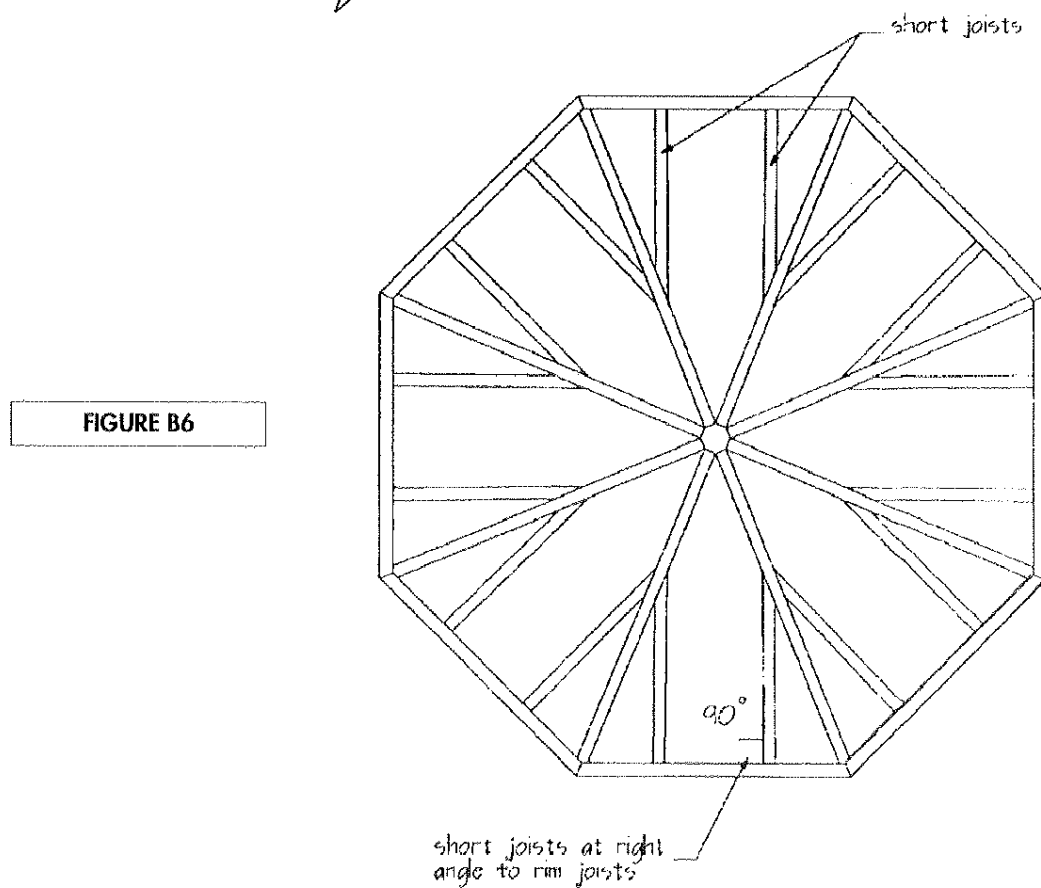


FIGURE B6

OCTAGON GAZEBO

- 7. Using two 3" screws, fasten the bevelled or pointed end of each short floor joists to the adjoining long floor joists. After the short floor joists are attached to the long floor joists, fasten the short floor joists to the rim joists using two 3" screws [see Figure B7].

EXPERT ADVICE:

Be sure the tops of the long floor joists are flush with the top of the floor core block. If the floor core block is too high, the centre deck piece will not fit properly.

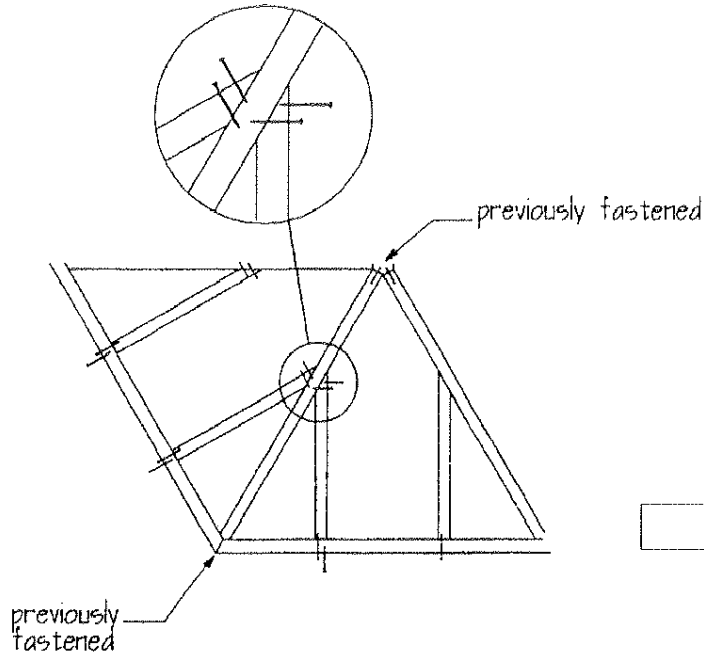
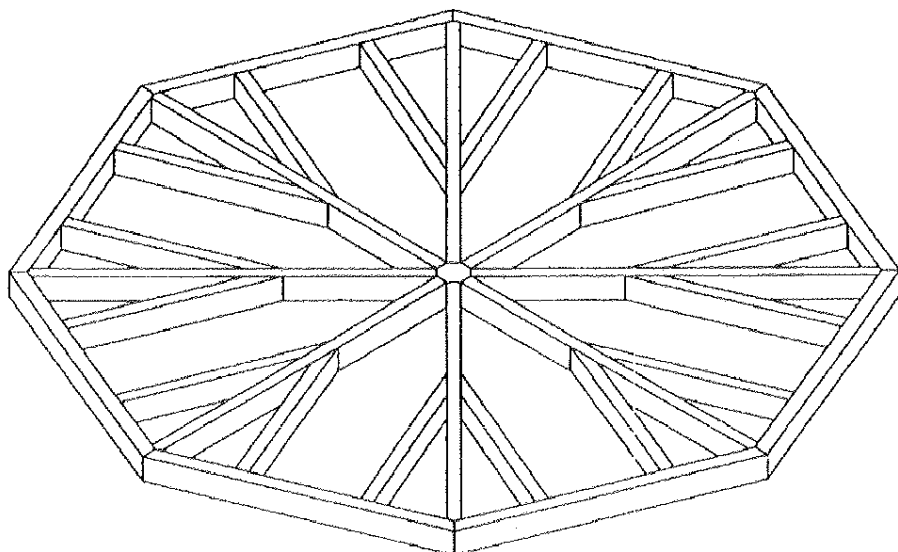


FIGURE B7

- 8. The floor joist assembly is now complete [Figure B8].

FIGURE B8

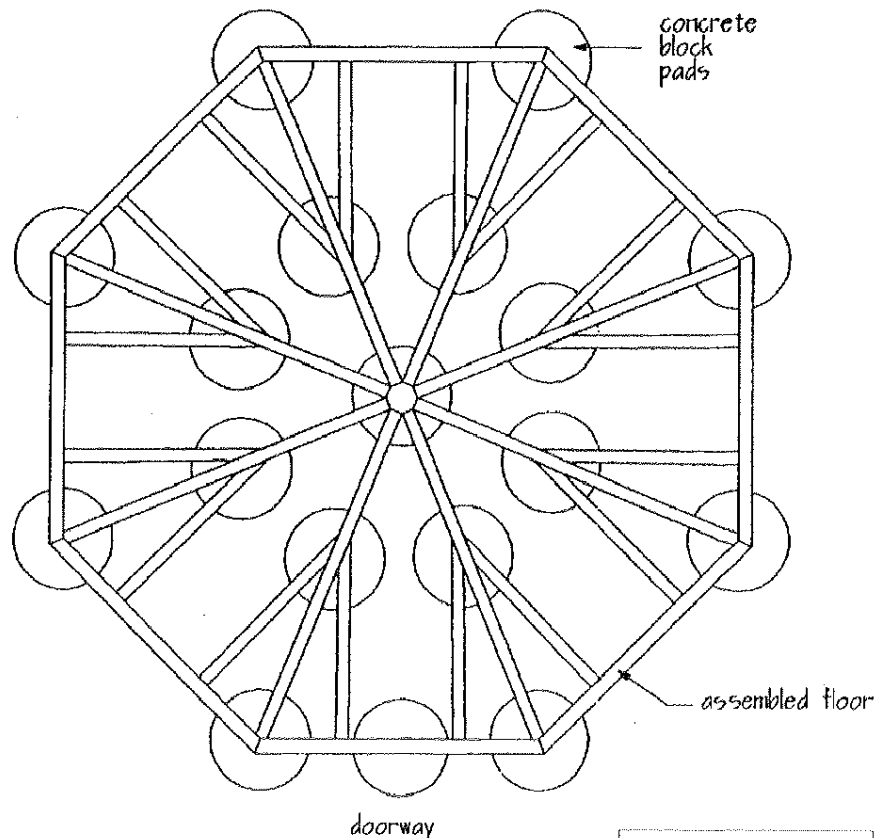


EXPERT ADVICE:

If you are building your Gazebo on a concrete slab, we recommend the patio stones still be used as they allow air to ventilate the floor joists, keeping them dry and strong.

FLOOR LEVELLING

1. You are now ready to lay the patio stones down. The 2" patio stones will be placed at the 18 load-bearing points of the floor. Load-bearing points are those points where rim, short and/or long joists intersect. Also, place one under the doorway. [See Figure B9].
2. With all of the patio stones in place, you are now ready to level the floor structure.
3. Using a shovel, add or remove soil beneath each block to adjust the level of the floor. Use a long carpenter's level placed on the joists to assist you with leveling. Remember to compact the dirt as much as possible. It is easier to level the outer perimeter first, and then work your way inward. Use cedar shims only where necessary. You **MUST** have a level floor before you proceed to the wall and roof systems.

**FIGURE B9**

OCTAGON GAZEBO**SCREEN KIT OPTION**

The screen kit will help keep insects from crawling up through the floor or flying into the Gazebo. This is especially helpful if you plan on serving food and drink.

If you have purchased the screen kit, you will be required to install portions of the kit while you are assembling the Gazebo. There are three points in this manual that will require you to install or modify the Gazebo to accommodate the screen kit. Leaf through this manual and make the following reminder notes at the appropriate point. These points are:

1. **NOW!** Before you apply the decking, see the screen kit instruction manual section on installing screen on the floor joist system.
2. **DURING UPPER BALUSTER/CORNER BRACKET INSTALLATION.** Do not install the upper baluster unit and brackets for the doorway section. You will instead be framing the opening for a screen door.
3. **TWO-TIER ROOF OPTION.** Before installing the support posts on the two tier face rails, apply screen to the inside of each face rail (see Screen Kit instructions).

The remainder of the screen kit, mainly door and windows, can be assembled once your Gazebo is finished. Special screen kit instructions have been included with the screen kit package.

If you did not purchase the screen kit, you may wish to do so now from your Authorized Cedarshed Dealer.

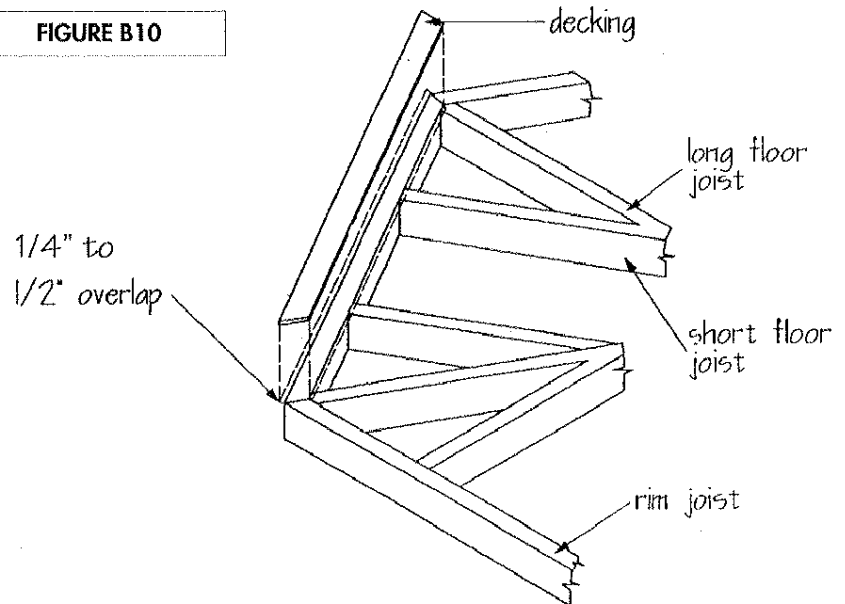
EXPERT ADVICE:

You can pre-drill holes at the ends of deck boards to prevent any splitting.

DECKING

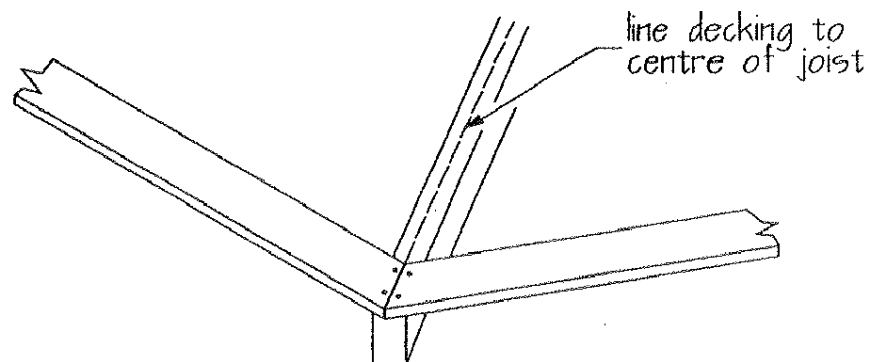
From the outside in, decking is placed and then fastened to the joists. Be sure to put the best side of the decking facing up.

1. Place the 8 bundles of decking around the floor joists and break open the bundles. Starting with the longest piece from each bundle, place the decking on the floor joists. **Proceed in a clockwise fashion** around the Gazebo. The outer piece of decking overhangs the rim joist by approximately 1/4" to 1/2" [see **Figure B10**].

FIGURE B10**EXPERT ADVICE:**

The deck boards must be aligned and flush at the butt ends, centred along the floor joists. The butt end alignment is more important than the gap between the deck boards.

2. Using two 3" screws at each end of the decking, attach to the floor joists. When you are butting the deck boards together end to end, make certain that the angles line up [**Figure B11**].

**FIGURE B11**

OCTAGON GAZEBO

4. Place the next row of decking and attach in the same manner, continuing to build the deck in a circular pattern. There should be about $1/8"$ space between each row of decking (but this will vary somewhat) as illustrated in **Figure B12**.

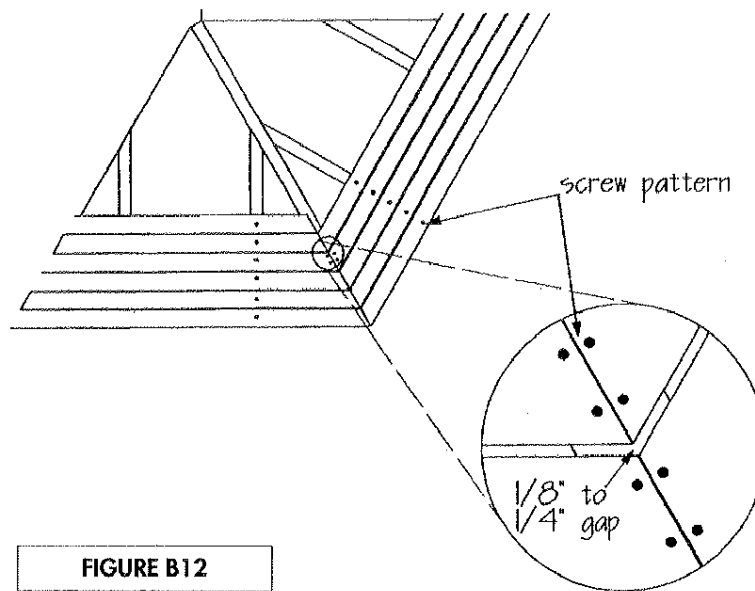


FIGURE B12

5. When all of the decking is in place, put the 1 centre deck piece into position and, using two 3" screws, tack it to the floor core block.
6. To complete the decking, attach one 3" screw from the decking into all the short joists. **Figure B13** illustrates the finished floor decking.

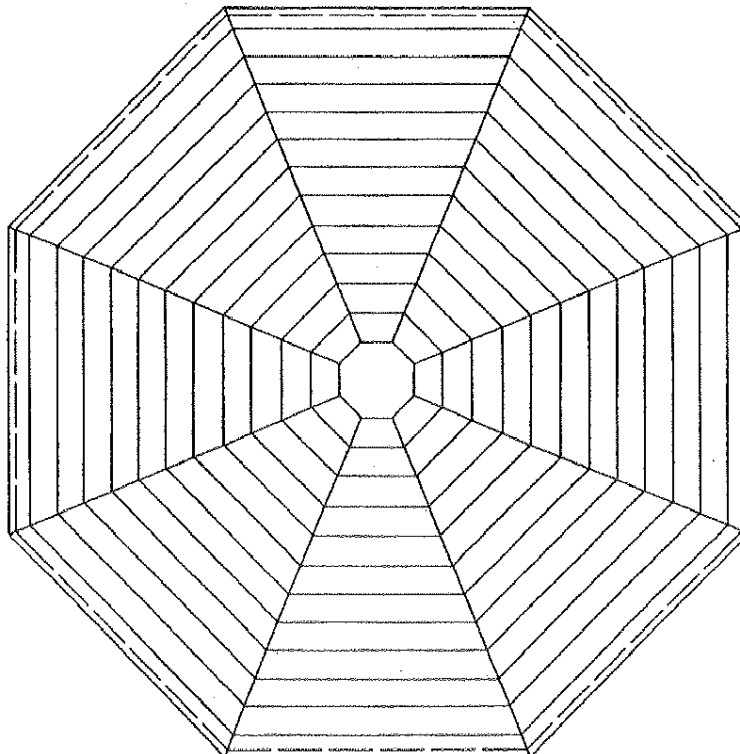


FIGURE B13

C. WALL ASSEMBLY

Wall assembly can be divided into three stages. First, the sidewall sections are built. Secondly, the posts are attached to these sections. Finally, the completed section is erected and mounted on the deck assembly.

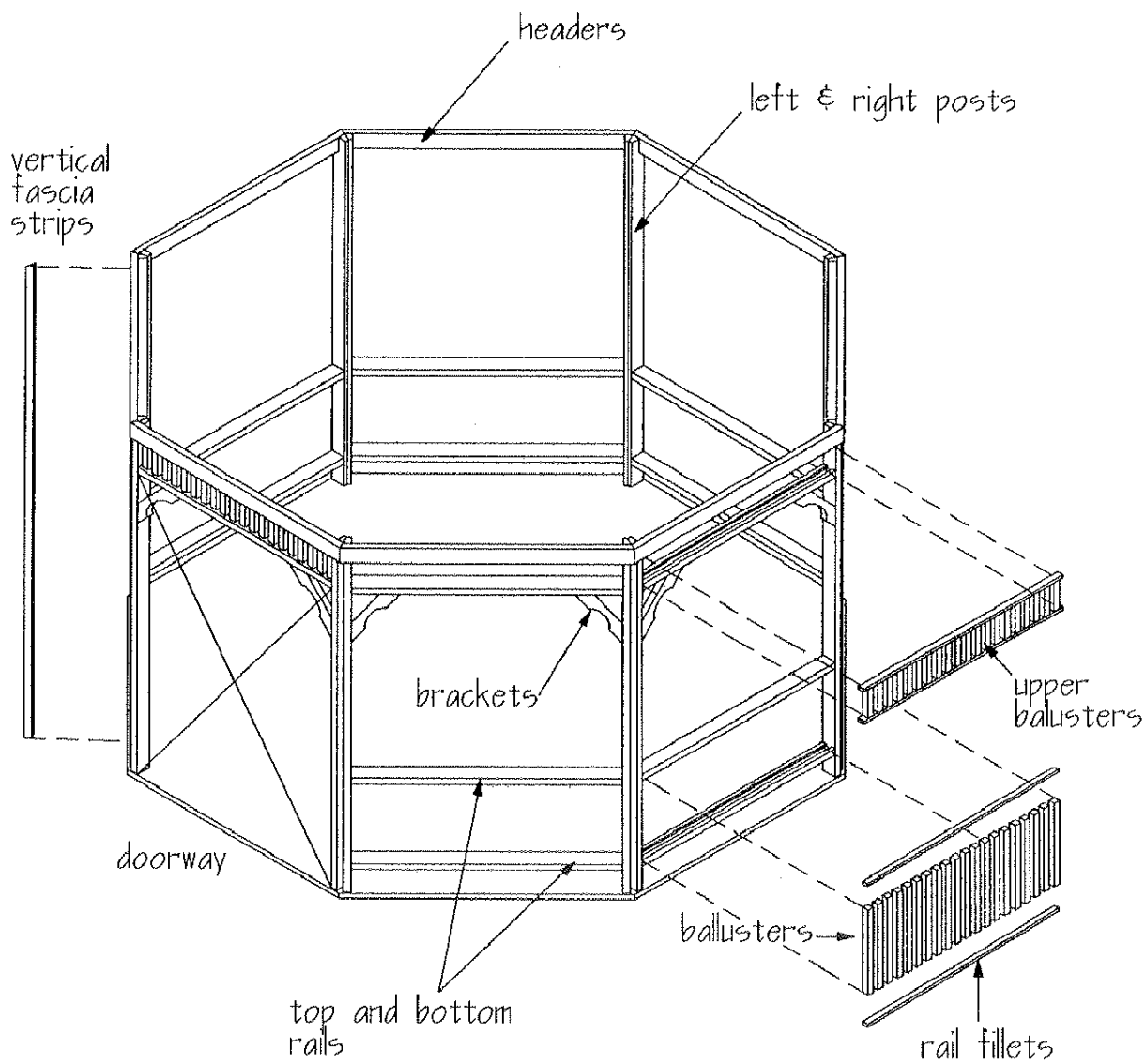


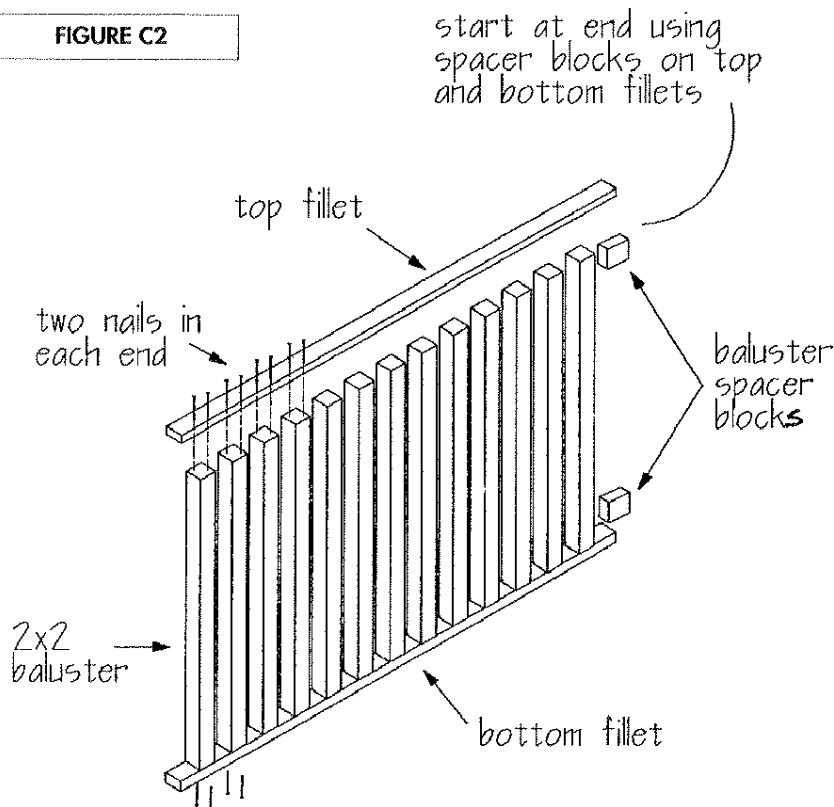
FIGURE C1

OCTAGON GAZEBO

SIDEWALL SECTION

1. Take the 2x2 balusters and begin nailing them to the rail fillets using the included baluster space blocks (included in a bag with the Assembly Video). Use the longer length of the spacer blocks for baluster spacing. Rail fillets are found in the key slots of the top and bottom rail. To prevent the baluster from rotating in the fillet, please affix each end of the baluster with two 1¹/₈" nails. Refer to **Figure C2** for more details. Complete all seven baluster sections at this time.

FIGURE C2



EXPERT ADVICE:

Apply construction adhesive to both ends of the 2x2 balusters prior to attaching the fillets. This will help to strengthen your sidewall.

2. To complete the sidewall section you will be required to attach the top and bottom handrails. This installation will be explained in the wall section assembly on the next page.

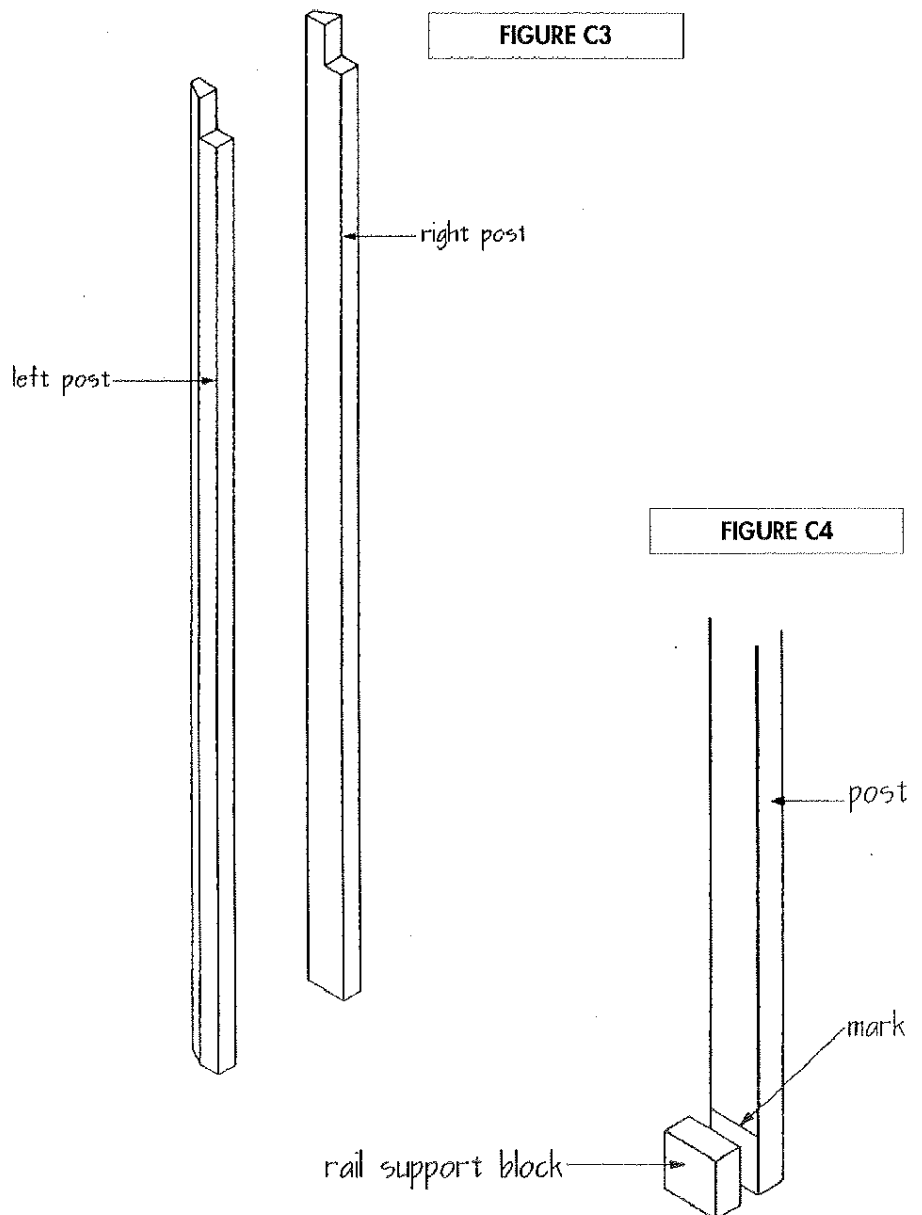
EXPERT ADVICE:

After building the first baluster section, use it as a template to construct the others.

WALL SECTION ASSEMBLY

The sidewall sections are attached to the left and right posts.

1. The 8 left posts and 8 right posts are bevelled on different sides [Figure C3]. Make eight pairs of posts, flat sides together, bevelled sides out. The bottom of each post is square, the top is notched.
2. Using a rail support block as a template, mark the bottom of 7 left posts and 7 right posts. The mark should be made on the flat sides of the post - not the bevelled sides [see Figure C4]. This mark will be used when mounting the bottom rail.

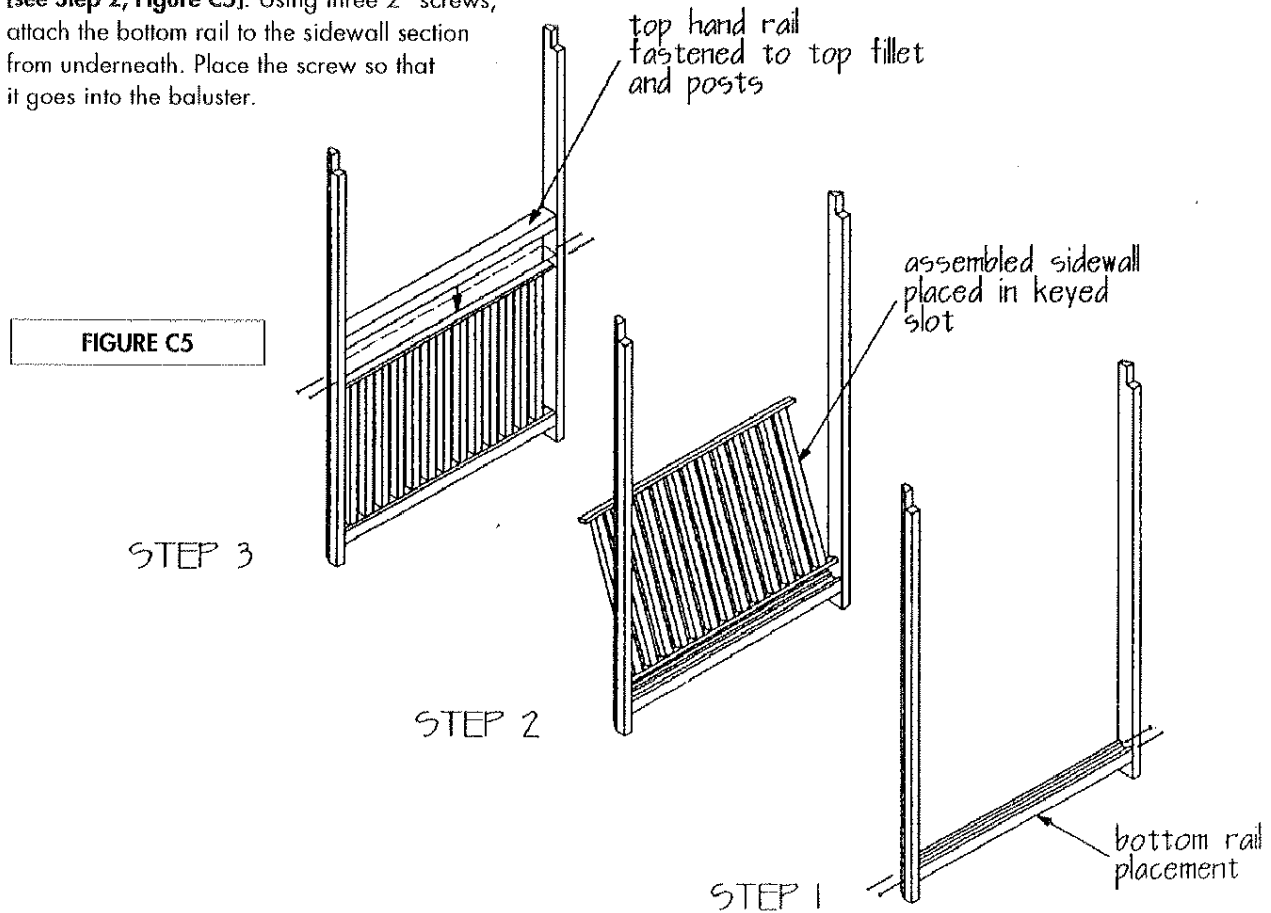


OCTAGON GAZEBO

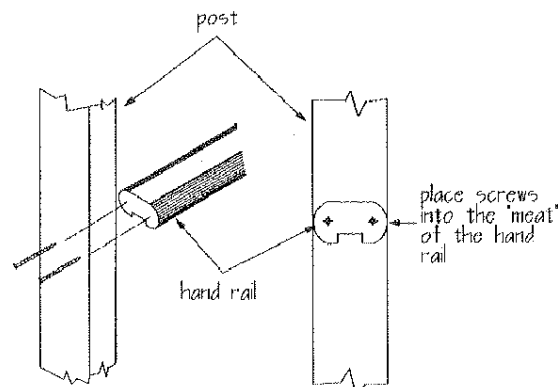
- Place posts on either side of the bottom rail [Step 1, Figure C5]. The flat side of the post butts up against the bottom rail and the bevelled side faces out. Align the bottom of the bottom rail flush with the mark on the post. Screw both posts to the bottom rail using two 3" screws. Using construction adhesive where the rail meets the posts will increase the strength of the Gazebo.
- Insert the pre-assembled sidewall section into the keyed slot of the bottom rail [see Step 2, Figure C5]. Using three 2" screws, attach the bottom rail to the sidewall section from underneath. Place the screw so that it goes into the baluster.

EXPERT ADVICE:

Use construction adhesive in the keyed slots of the rails.



- Place the top handrail onto the fillet of the sidewall [Step 3, Figure C5], making sure the handrail fits tight on top of the sidewall section. Screw the posts to the top handrail with two 3" screws.

**EXPERT ADVICE:**

Make sure when screwing posts to top handrails that screws go into the "meat" of the handrail.

EXPERT ADVICE:

Do not fasten the walls to decking until Step 5 - you may have to make some adjustments later.

EXPERT ADVICE:

Apply construction adhesive between the posts to strengthen the Gazebo.

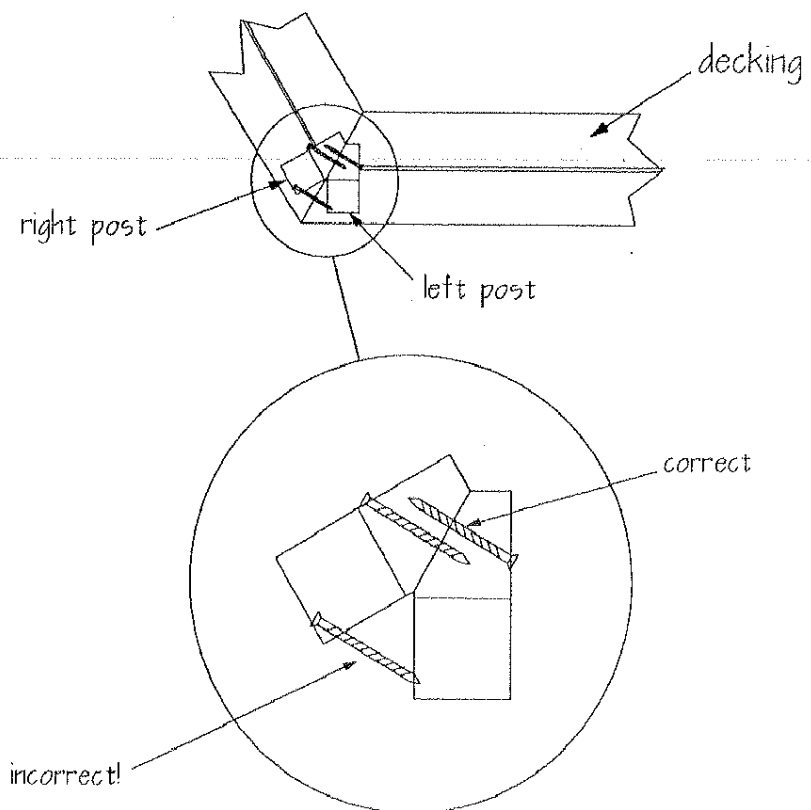
MOUNTING THE WALL SECTIONS

Starting on one side of the doorway (which was designated earlier and has a patio stone under the rim joist), and working around the Gazebo towards the other side of the doorway, erect the completed wall sections.

You'll need two step ladders now. If you choose, you may use a hand drill with a 1/8" bit to pre-drill some screw holes.

1. Erect the first wall section (beside the doorway) on the completed decking.
2. Erect a second wall section beside the first (but not on the doorway side). The bevelled edges of the two adjoining posts should be touching each other. Using 3" screws, fasten one post to the adjoining post [see Figure C6]. Use about 6 screws per pair of posts. Be sure to screw from both sides of the posts. Also, be sure that you angles the screws so that they enter the heart (the area where the two bevelled sides abut) of the posts, and do not show in the angled space between the posts [detail in Figure C6].

post-to-post fastening

**EXPERT ADVICE:**

When screwing the posts together, try to position the screws in less visible areas such as below the top and bottom handrails and below the notch on the post.

FIGURE C6

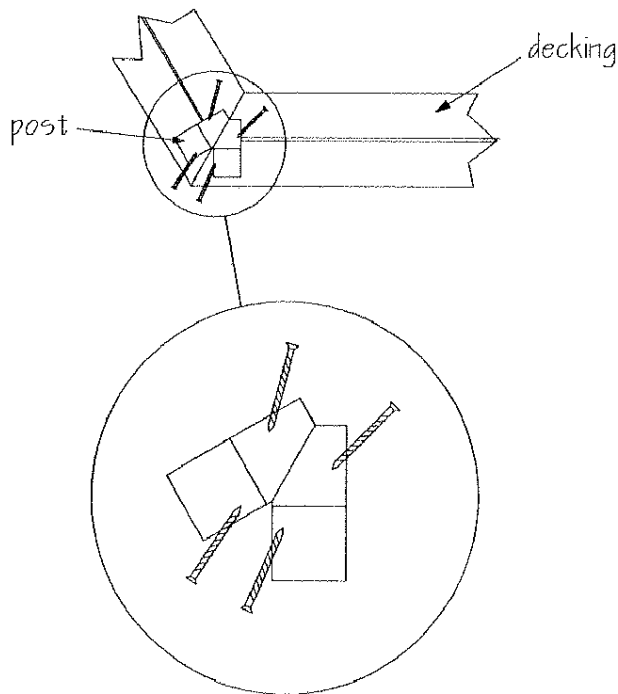
OCTAGON GAZEBO

3. Repeat Step 2 until all wall sections are in place.
4. Using 3" screws, fasten the two remaining posts to the wall sections adjacent to the doorway.
5. Check the positioning of all posts. They should sit about 1/2" back from the outside edge of the deck. Before attaching the posts to the deck, make sure the v-pattern of the post is centred over the deck seam. When all posts are in the correct position, use 3" screws to fasten the posts to the decking [Figure C7]. Screws are toe-nailed on a 45 degree angle. It is helpful to pre-drill holes, using a 1/8" bit, for these toe-nailed screws. It is important to pre-drill each post before toe-nailing to the decking in order to prevent splitting.

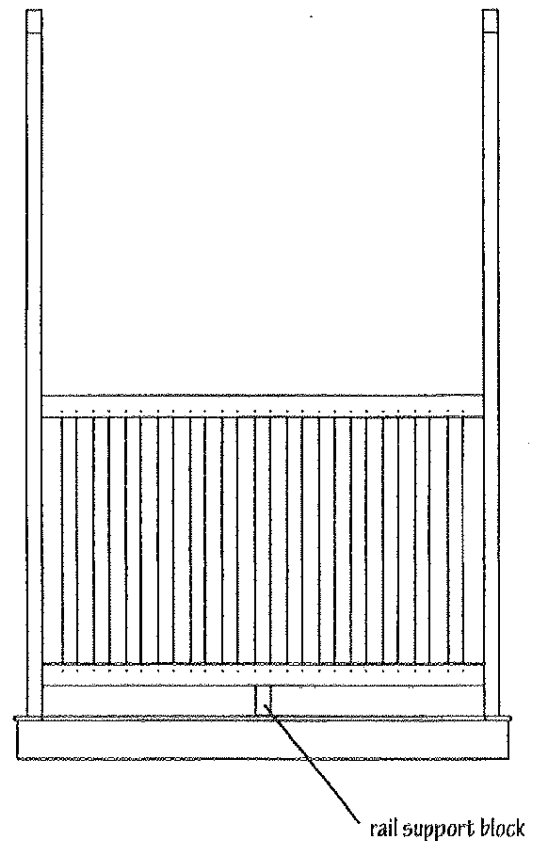
EXPERT ADVICE:

Use construction adhesive where the posts meet the decking, and fasten with 4 screws as recommended. This will reduce sway when your Gazebo is finished.

toe-screw placement

FIGURE C7

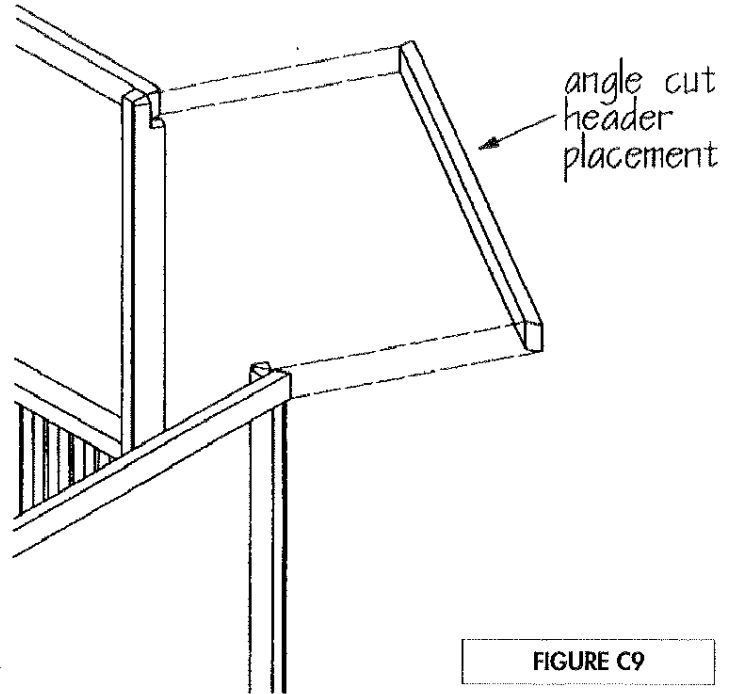
6. Place a rail support block beneath the midpoint of each rail, as shown in Figure C8. Nail 2" nails from the bottom rail into the block. This will support your sidewall section better.

FIGURE C8

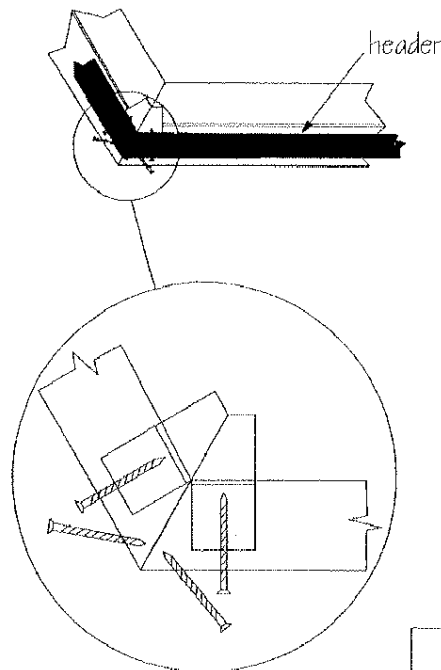
EXPERT ADVICE:

Do not attach the headers to the posts until all of the headers are attached to each other. Use construction adhesive where the headers meet the posts.

- 7. The 2x4 headers are used to tie the tops of the wall sections together [Figure C9]. Starting over the doorway, use 3" screws to fasten a header to the adjoining header, using the screw pattern shown in Figure C10. It is helpful to start the screws in the headers on the ground, before you climb the ladder. Be careful not to let the header fall (for safety, have a helper hold the headers while you fasten them together).



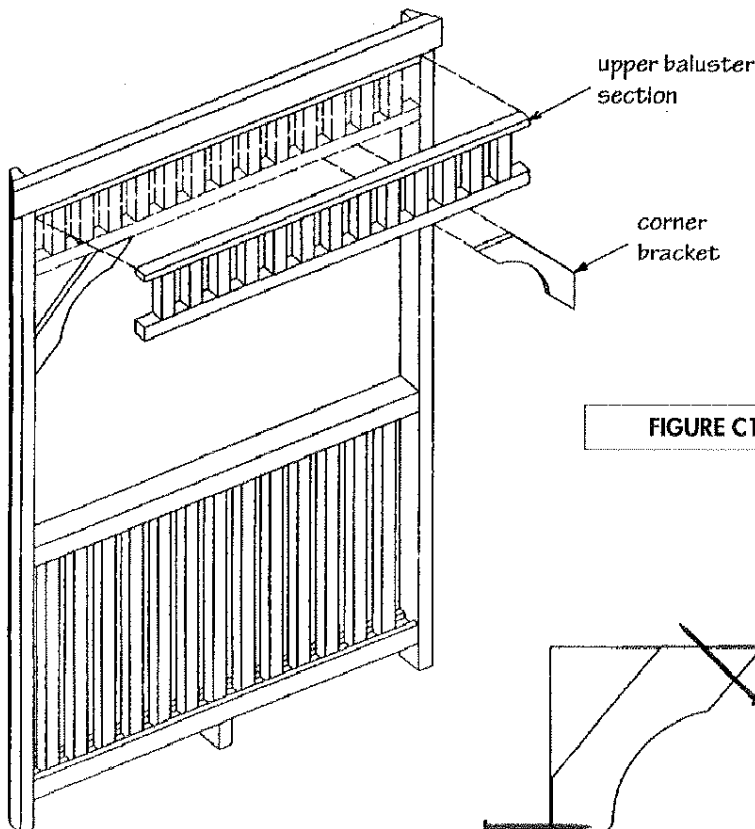
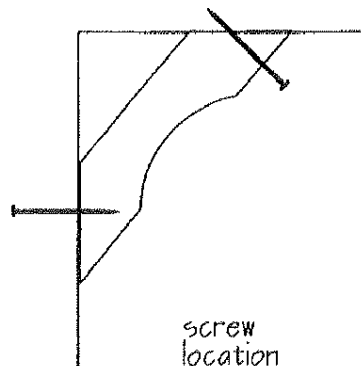
header joint nailing



OCTAGON GAZEBO

8. When all of the headers are joined together, line up the joint of the first pair of headers with the centre of the post. Use two 3" screws to fasten it to the post. Continue until all headers are fastened to posts.
9. Place the upper baluster sections between the posts and snug up against the headers. The top frame of the upper baluster is 1x2, the bottom is 2x2. Using 2" screws, fasten the upper baluster top frame to the header. Place the screw between the first and second baluster. This placing will reduce the chances of splitting the baluster fillet. Using a 3" screw, fasten through the post into both ends of the 2x2 bottom fillet. **[See Figure C11]**
10. When all the upper baluster sections are in place, attach corner brackets using 3" screws, using the screw pattern shown in the detail in **Figure C12**. To prevent splitting the corner brackets, we recommend pre-drilling screw holes using a 1/8" bit. Also, before attaching the corner brackets, use a carpenter's level to square.

NOTE: If you have purchased a screen kit option, do not install the upper baluster section or corner brackets over the doorway.

**FIGURE C11****FIGURE C12****EXPERT ADVICE:**

Use an upper baluster section to measure the distance between each post. This will help with the alignment of the posts and headers.

EXPERT ADVICE:

Use construction adhesive when attaching your corner brackets.

EXPERT ADVICE:

To hide the screws from view, the corner brackets may be fastened by screwing down through the 2x2 bottom fillet and through the posts.

OCTAGON GAZEBO

11. Install eight 1x3 vertical fascia strips on posts. Secure these pieces with 2" finishing nails and construction adhesive, as shown in **Figure C13**. When you are finished the wall construction, your Gazebo should look like **Figure C14** below.

FIGURE C13

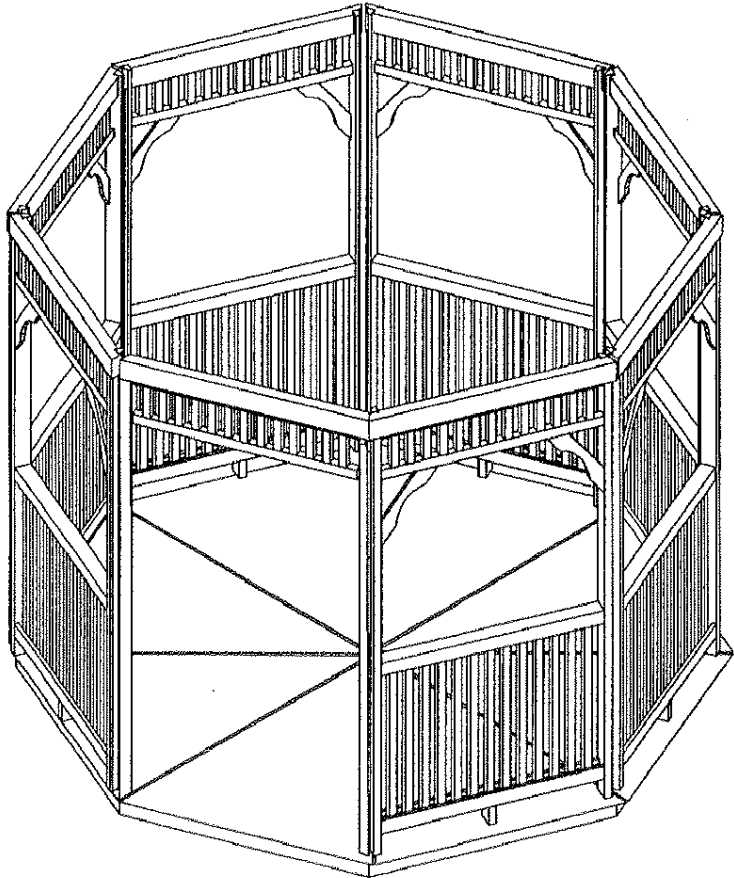
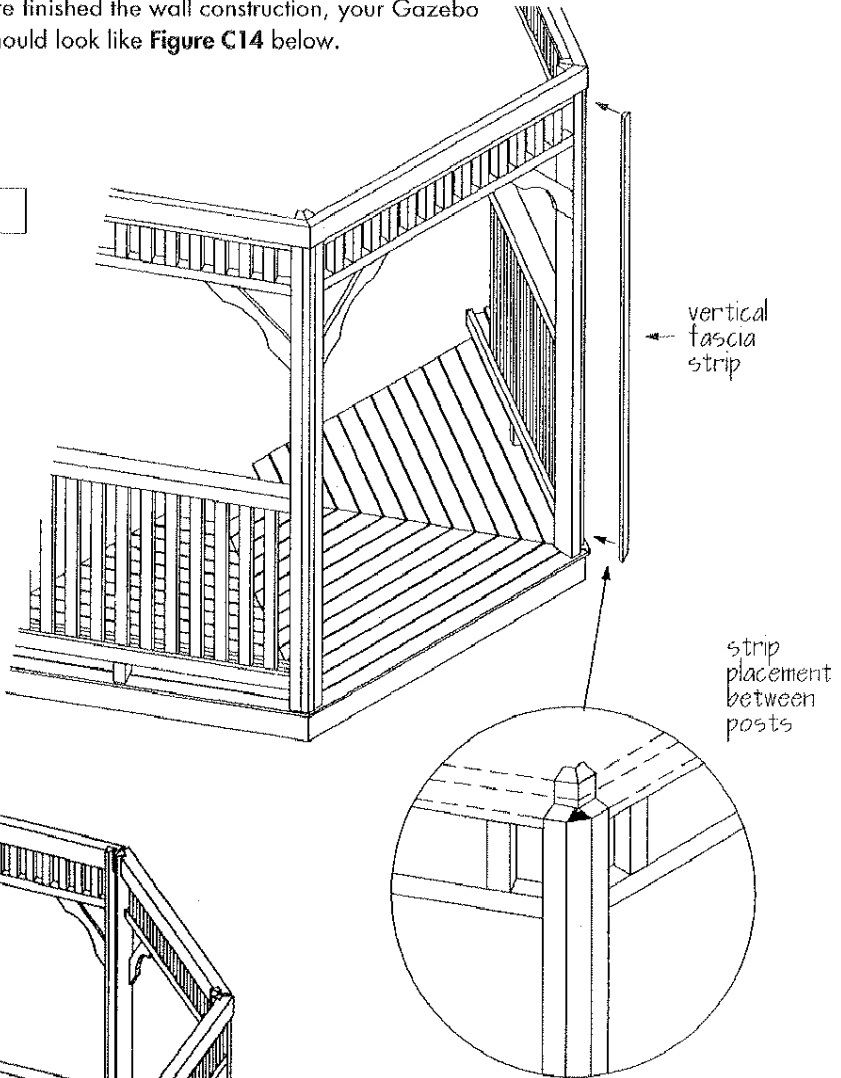


FIGURE C14

OCTAGON GAZEBO

BENCH OPTION

1. If you have purchased a bench option, now is the time to install the benches. Each bench has two legs. Attach both sets of legs flush to the end of the bench seat using 2" screws [see Figure C15].

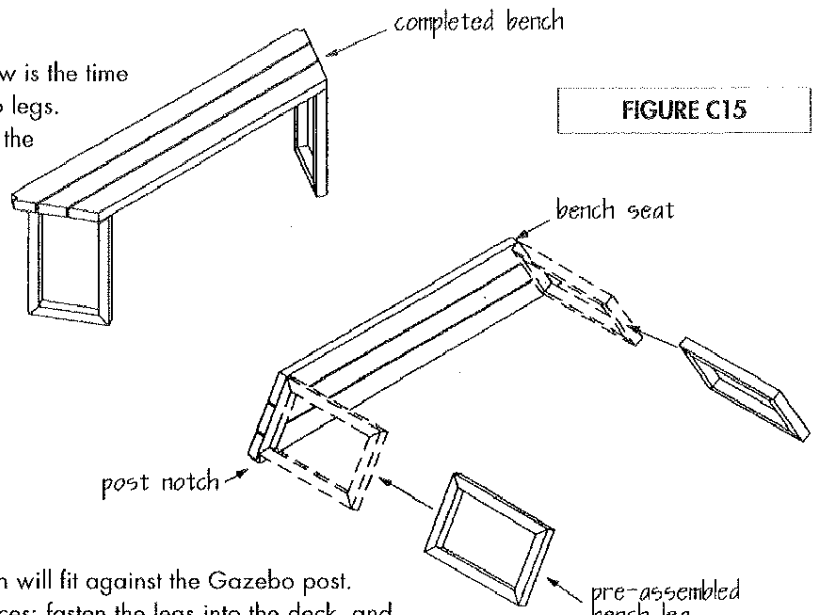


FIGURE C15

2. The back of each bench has a notch which will fit against the Gazebo post. Position each bench and screw in two places: fasten the legs into the deck, and fasten the balusters into the bench seat by placing about four or five well-spaced 3" screws through the outside of the balusters, into the edge of the bench seat. [See Figures C16 and C17].

FIGURE C16

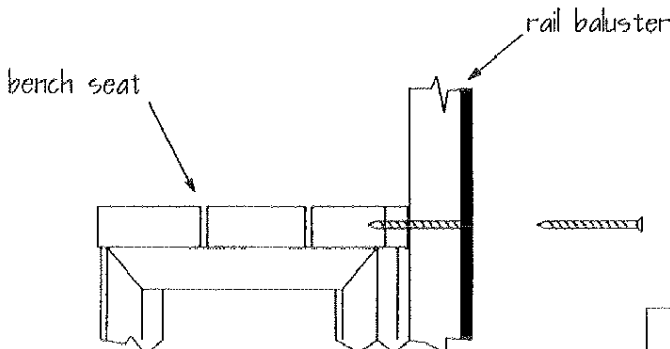
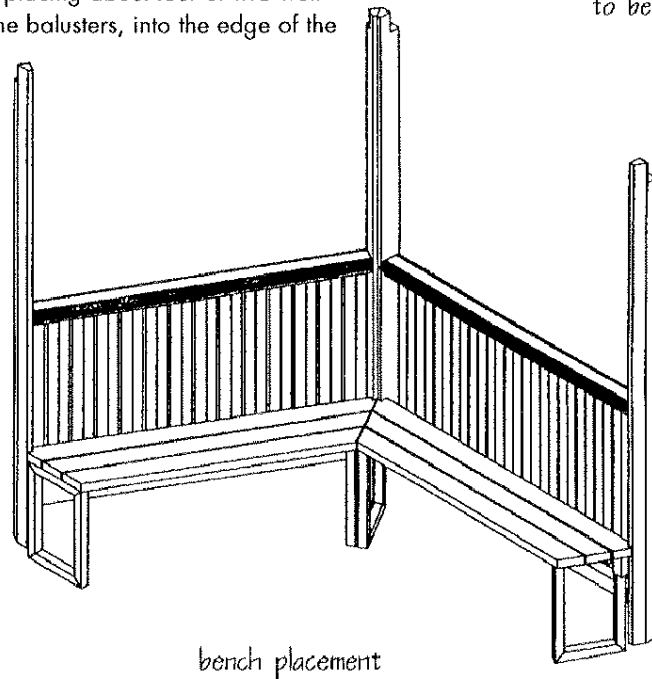


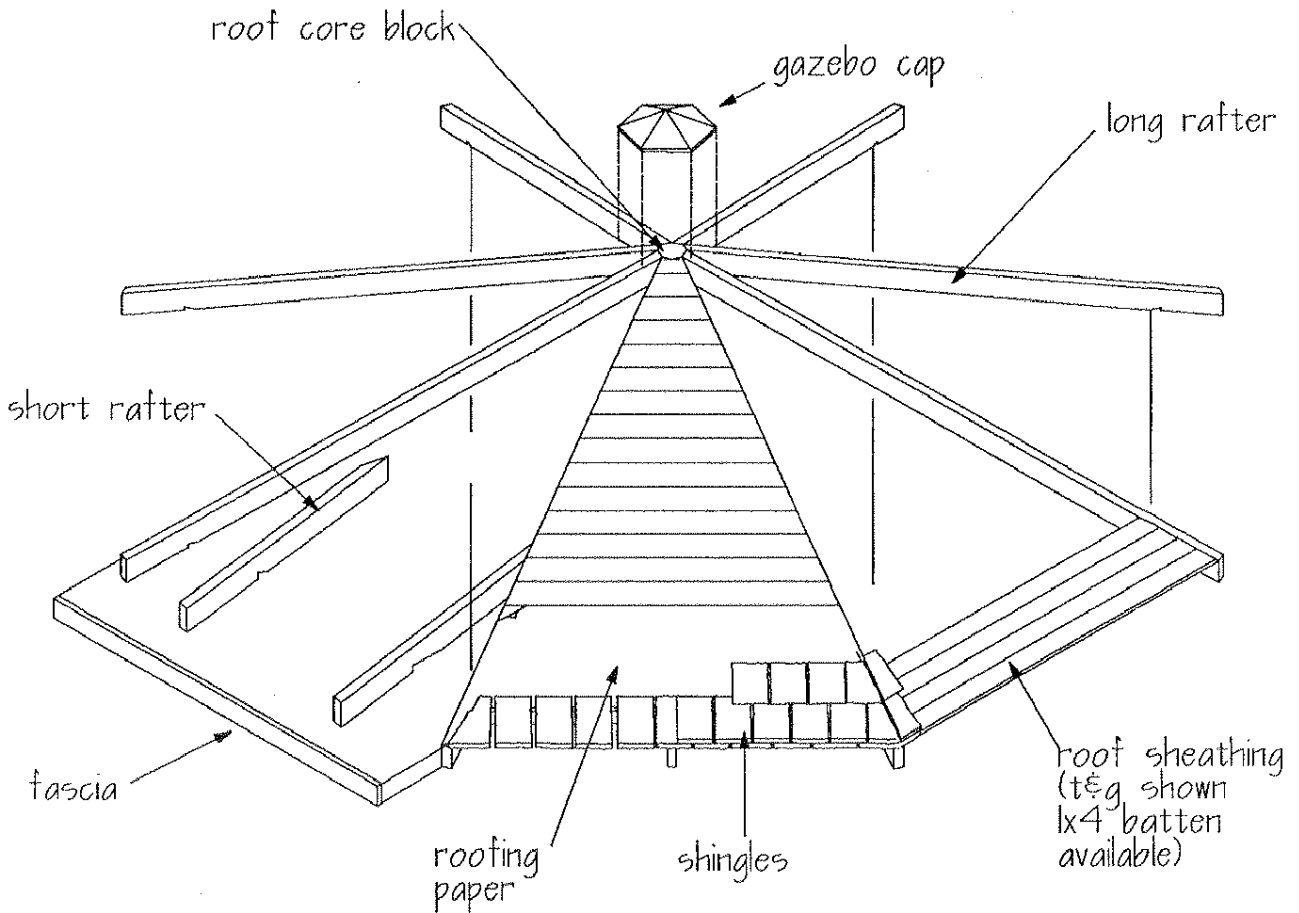
FIGURE C17

EXPERT ADVICE:

Not surprisingly, most of the work on the rafters and roofing takes place at height, or on a step ladder. To make the work easier, quicker and safer, do as much preparation on the ground as possible. This preparation includes starting screws on the ground, and fastening them in position later.

D. ROOF ASSEMBLY

Roof assembly can be divided into two stages: rafter assembly and roofing. When the roof is in position the Gazebo will gain rigidity. Continue until all short roof rafters are fastened in place.

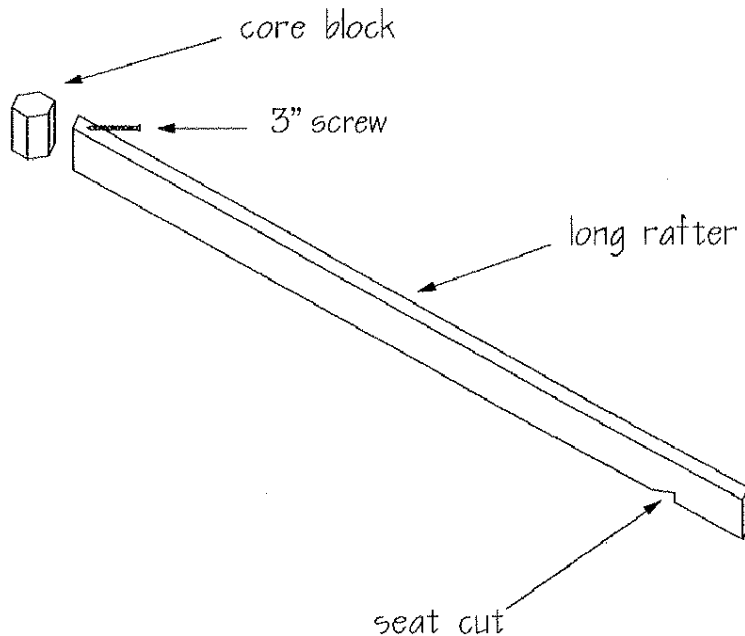


OCTAGON GAZEBO**RAFTER ASSEMBLY**

The rafters use a similar but not identical design as the floor joists.

You'll definitely need help with the rafters. You'll also need a 6' step ladder and an 8' step ladder.

1. While on the ground, fasten the roof core block to a long roof rafter. The seat cut on the long roof rafter will fit over the header, so be sure that the seat cut is facing down. The opposite end of the long roof rafter will be fastened to the roof core block. Using a 3" screw, toe-nail the long roof rafter to the roof core block. It is helpful if you pre-drill holes using a 1/8" bit. Be sure the top of the roof core block and the long roof rafter are flush. **[See Figure D1].**

**FIGURE D1**

OCTAGON GAZEBO

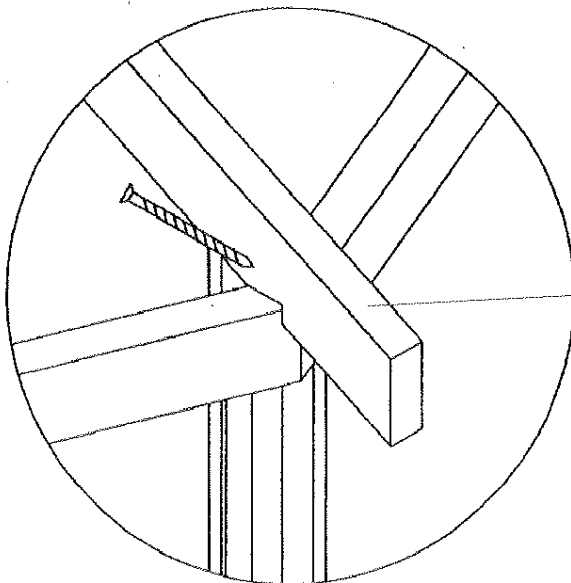
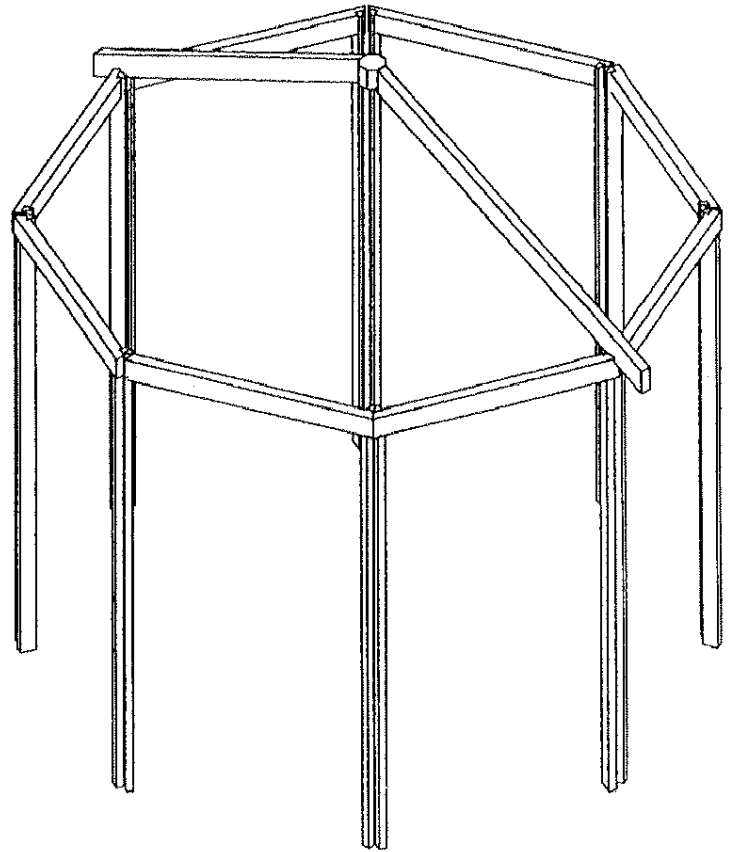
EXPERT ADVICE:

Be sure not to fasten the long roof rafters to the headers completely as you may have to adjust their positions later.

2. Note that a helper is necessary at this point. Have your helper climb an 8' step ladder in the middle of the Gazebo deck. The helper will hold the long roof rafters and toe-nail a 3" screw into the core block. Place the seat cut of the long roof rafter flush over the joint formed by two headers, as shown in **Figure D2**. Once the seat cut is flush, you can tack the long roof rafter to the headers using a 3" screw at an angle.
3. Complete the remaining long roof rafters in the same fashion. **Figure D3** shows detail of the toe-nail screwing.

placement of first two long rafters

FIGURE D2



rafter seat cut over header joint

FIGURE D3

EXPERT ADVICE:

To avoid splitting the long roof rafters at the seat cut, you may wish to pre-drill screw holes at a 45 degree angle.

OCTAGON GAZEBO

- Install the short roof rafters using a similar procedure as for the long roof rafters. Using two 3" screws, toe-nail the short roof rafter to the adjoining long roof rafters. Using two 3" screws, fasten the short roof rafter to the header [see **Figure D4**]. Continue until all short roof rafters are fastened into place.

EXPERT ADVICE:

Attach the fascia before securing roof joists to the header to ensure that the roof lines up.

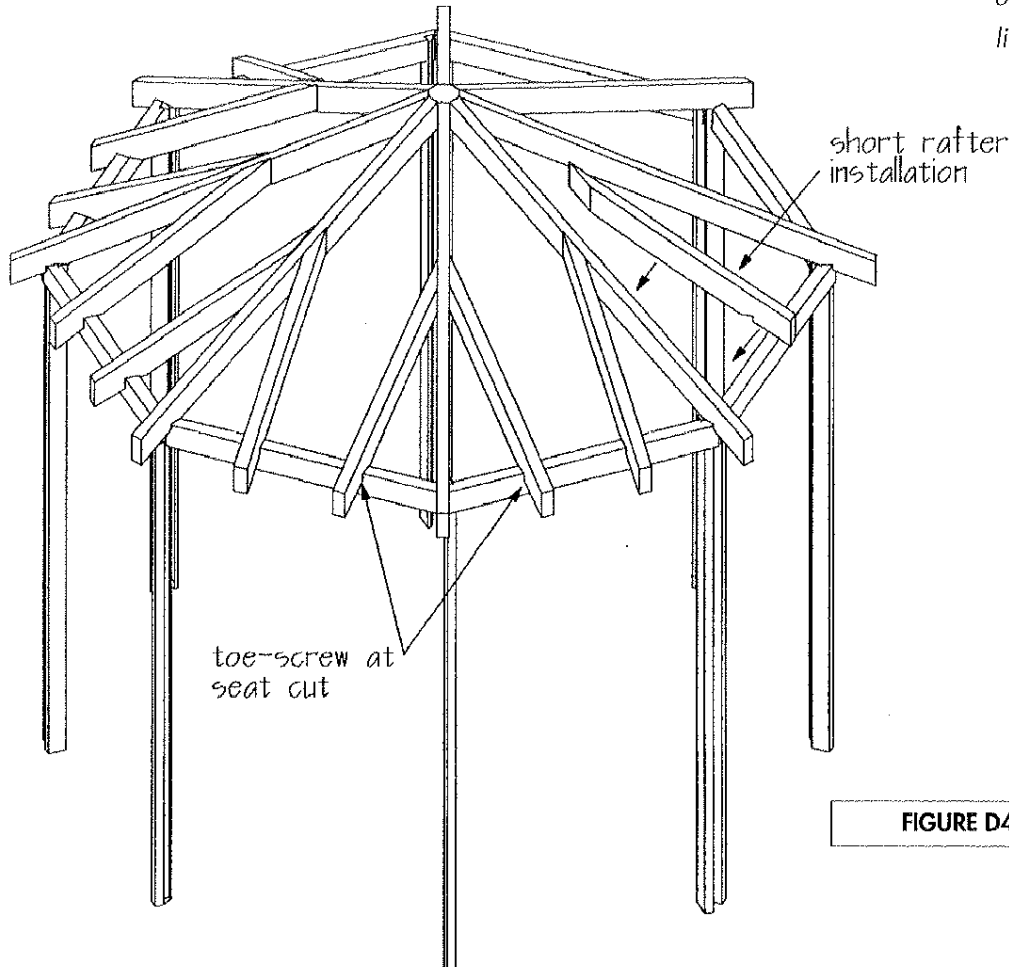


FIGURE D4

- Attach the fascia now.
- The 1x4 fascia boards run horizontally from one long rafter to the next, as shown in **Figure D5**.
- Have your helper hold one end of the fascia board. Then, using two 2" finishing nails, attach the other end of the fascia board to a long roof rafter. Be sure that the end of the fascia board is flush with the "V" of the long roof rafter. If necessary, adjust the position of the long roof rafter. Moving around the Gazebo, complete all fascia boards in the same manner.

OCTAGON GAZEBO

- 8. Using two 2" finishing nails, attach the fascia board to the end of the short rafter.
- 9. Moving around the Gazebo, continue until all fascia boards are in place and all long roof rafters have been permanently fastened to the headers.

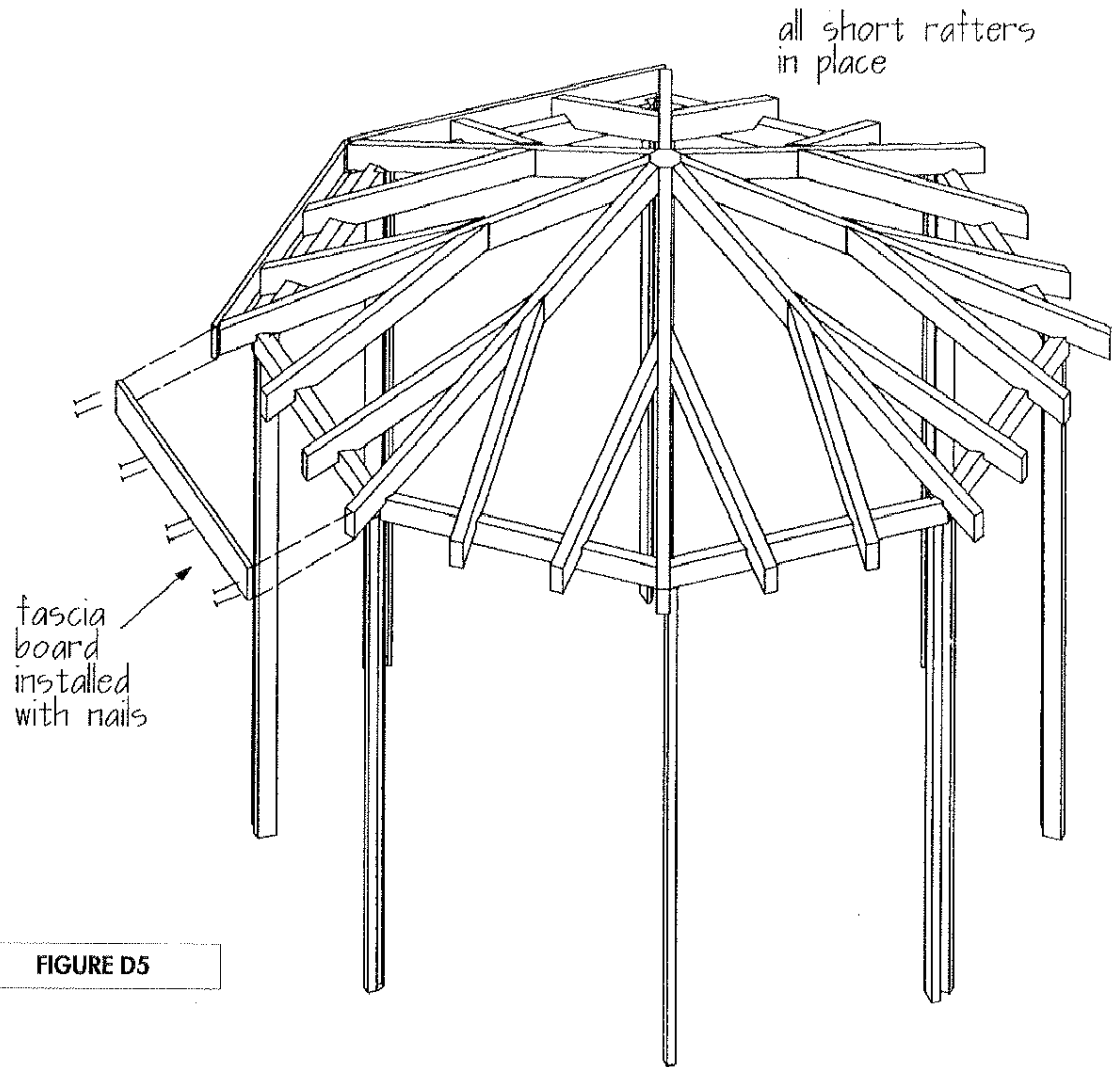


FIGURE D5

OCTAGON GAZEBO

TWO-TIER OPTION ASSEMBLY

*If you did not purchase the two-tier option,
go to ROOFING on page 35 now.*

1. The two-tier rafter section will be assembled at this point [see **Figure D6**]. Screw the top and bottom rafters to the rafter supports using two 3" screws per joint. Complete all 8 two-tier rafter sections. Toe-nail the long core block to one of the two-tier rafter sections making sure the long core block is flush with the bottom of the two-tier rafter.

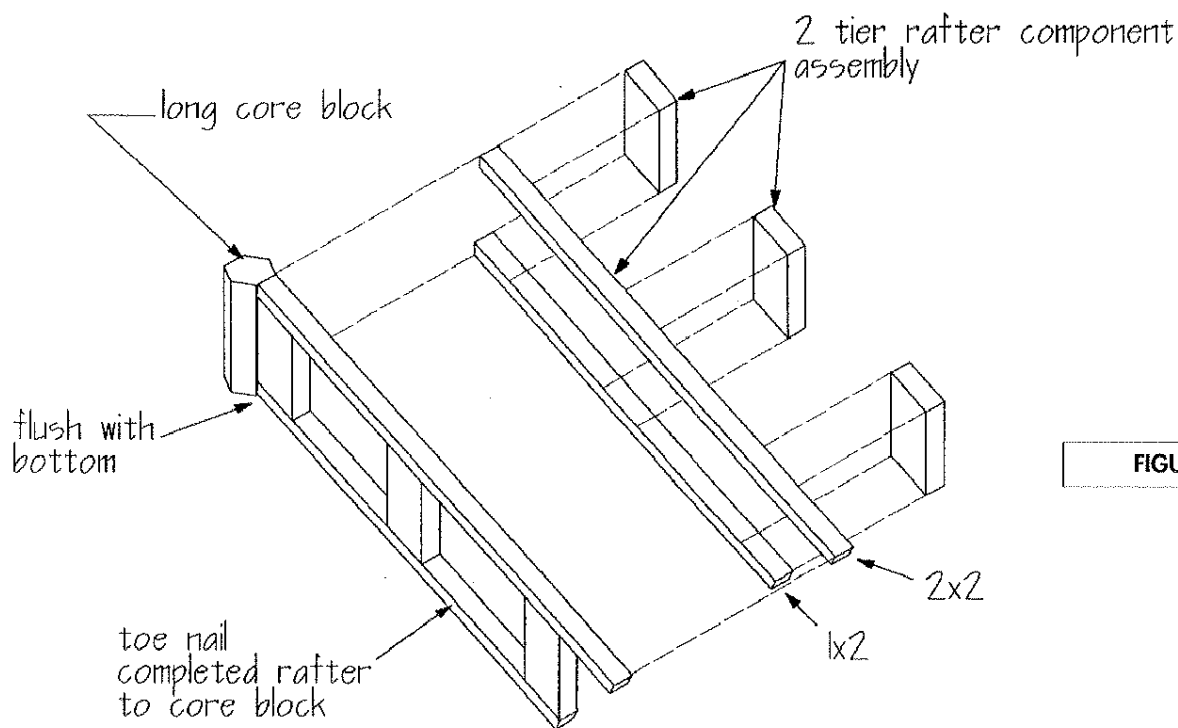
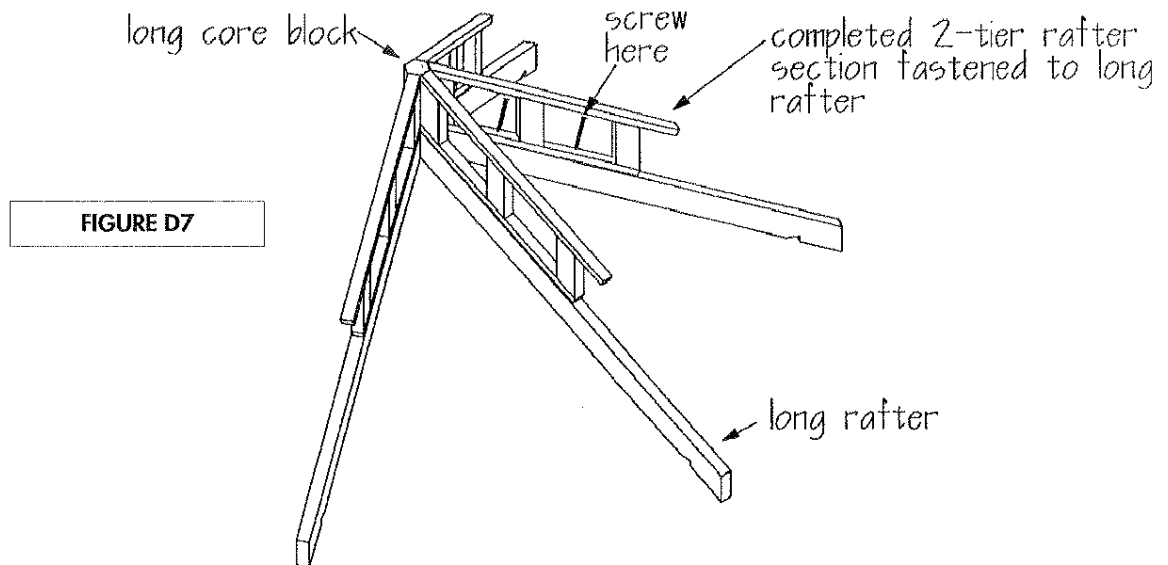


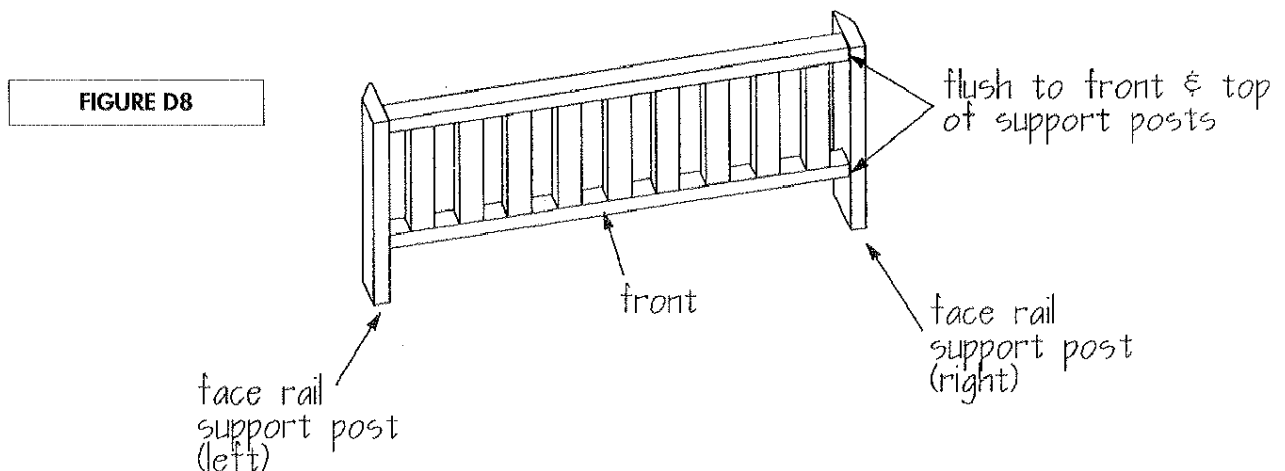
FIGURE D6

- Next, climb on top of the Gazebo and place the long core block/rafter assembly over top of the core block and the long roof rafter. The long core block will sit directly over top of the short core block [Figure D7]. Attach the two-tier rafter section to the long rafter with three 2" screws. Take the remaining two-tier rafter sections and systematically attach each to a long roof rafter and the long core block.



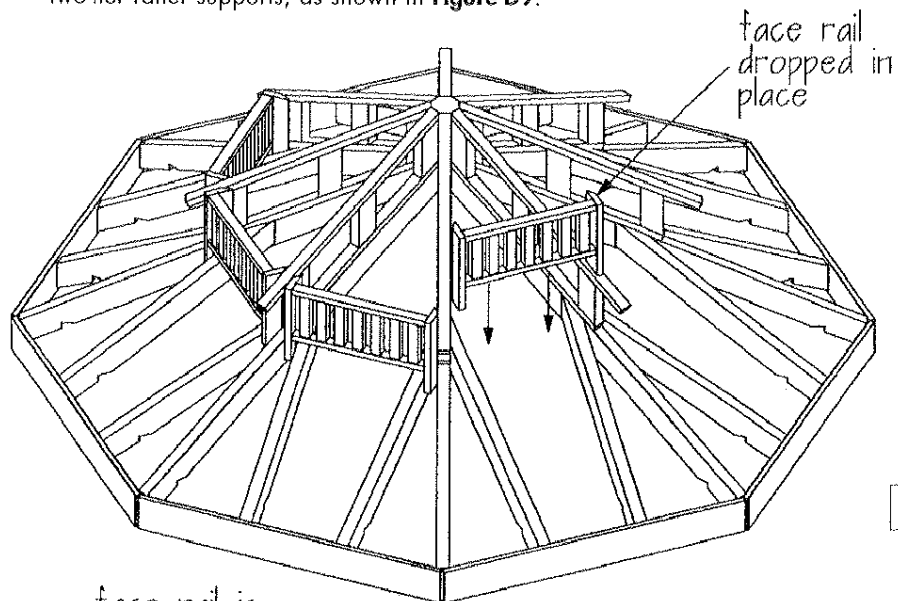
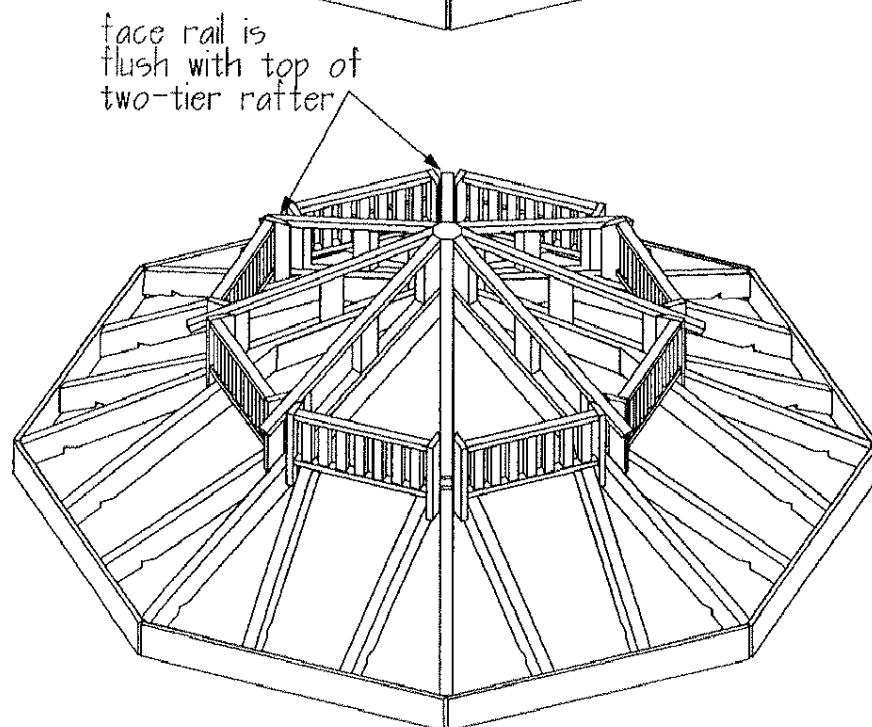
- The face rails come pre-assembled. You must attach a left and a right face rail support post to each end of the face rails. The face rail support posts are angle cut and bevelled [Figure D8]. The flat face will be attached to the face rail using two 2" screws.

If you have purchased the Screen Kit Option it will be necessary to attach screen to the face rail now. See the Screen Kit Instruction Manual for this procedure.



OCTAGON GAZEBO

4. Insert the face rails so that each face rail is flush with the front of the two-tier rafter supports. Using two 2" screws, attach each side of the face rails to the two-tier rafter supports, as shown in **Figure D9**.

**FIGURE D9****FIGURE D10**

5. When you have finished attaching the face rails, your completed structure should look like **Figure D10**.

ROOFING

The roof has two components: sheathing and shingles. The sheathing consists of batten strips. There are two types of batten strips for your Gazebo: 1x4 batten sheathing or tongue and groove (T&G) sheathing. This manual describes assembly of both types, so identify which type you have chosen and proceed accordingly.

1. Either batten type will bridge from long rafter to long rafter. First, though, unbundle the battens and place them in their respective pie-shaped groups on the ground around the Gazebo **[Figure D11]**.

battens (or roof sheathing)

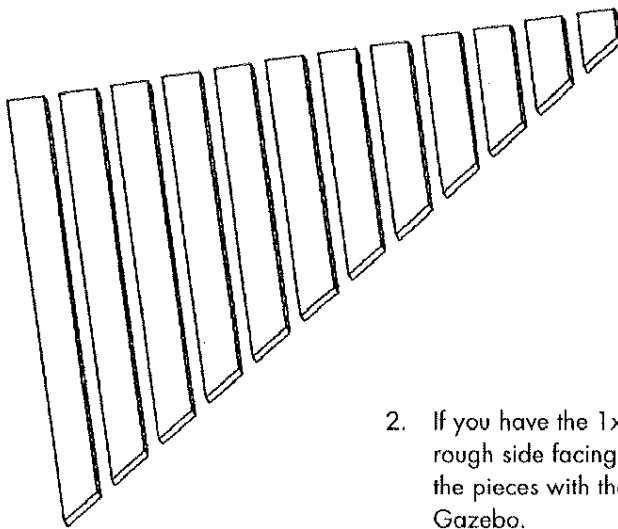
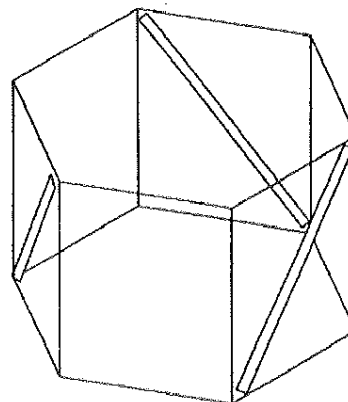


FIGURE D11

2. If you have the 1x4 batten package, remember to install the pieces with the rough side facing down into the Gazebo. If you have the T&G package, install the pieces with the smoothest and most attractive side facing down into the Gazebo.
3. Before you begin working on the roof structure, it is advisable to install some rough bracing for your Gazebo walls. This will ensure that the Gazebo will not sway while you or your helper are on the roof. **Figure D12** shows suggested bracing.

suggested cross bracing placement

FIGURE D12



OCTAGON GAZEBO

1x4 Batten Option

1. Starting with the longest piece, place it so that its longest edge is flush with the outer edge of the fascia board, and the ends of the batten are roughly centred over the long rafters at either end. Remember to place the rough side facing down into the Gazebo.
2. Secure the batten with two 2" screws wherever the batten crosses a long roof rafter, and one 2" screw on the short rafter.
3. Repeat this procedure using the longest piece from each bundle on the adjacent pie-shaped roof section.

*If you have purchased the two-tier roof option,
go to Step 6 now.*

4. When you have completed the first row of battens, complete the next four consecutively smaller pieces from each bundle. Complete the remaining roof sections in the same manner. You will notice that when you place each batten correctly, you will have a gap between each row. Adjust the remaining battens as required [see Figure D13]. It is important to position each batten so that there is enough wood left to attach to each rafter. Do not be concerned if the battens do not line up perfectly. These inconsistencies will not be noticeable from inside the Gazebo.

EXPERT ADVICE:

The important point when positioning battens is to line them up as close as possible to the centre line of the rafters. The spacing between the battens is a secondary consideration.

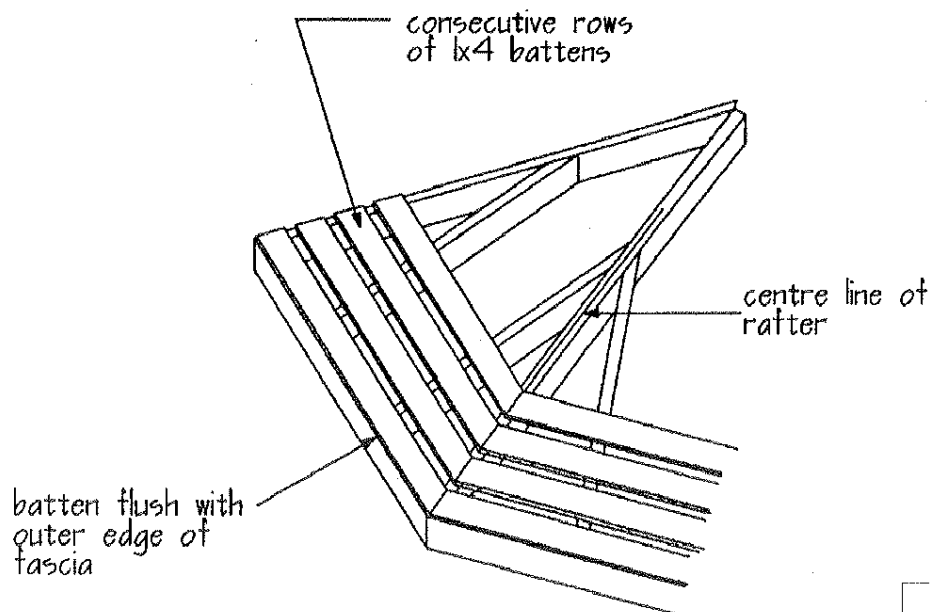
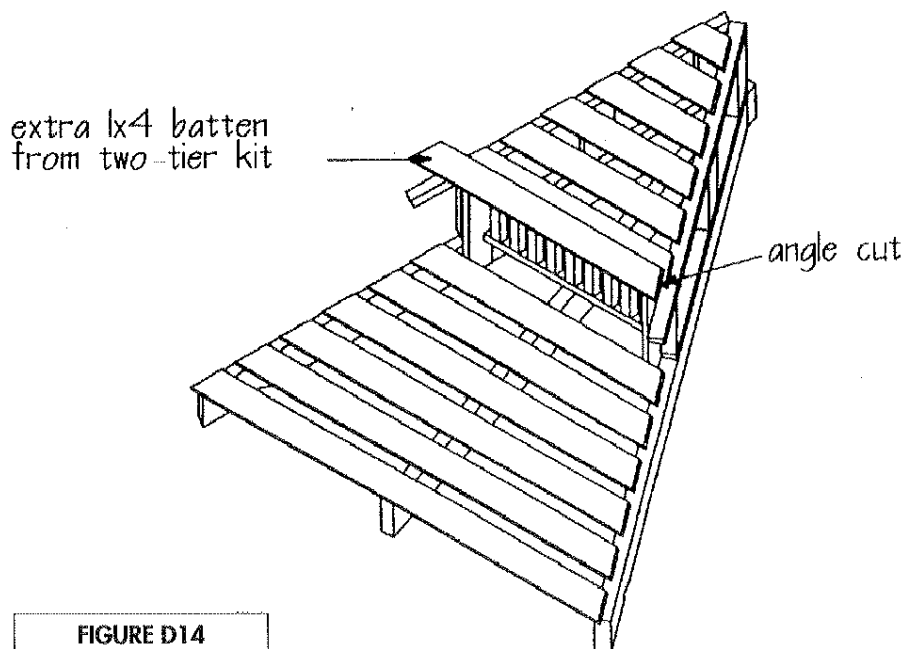


FIGURE D13

5. To complete the battens, climb on top of the Gazebo and complete each pie-shaped section to the peak in the same method as outlined above.

Two-Tier Roof

6. When you have completed the first row of battens, place consecutively shorter pieces on one roof section up to the face rail. You will notice that when you place each batten correctly, you will have a gap between each row. Adjust these battens as required. Do not be concerned if there is a three or four inch gap between the last batten and the face rail. Shingles will cover these gaps effectively. Secure the battens as outlined in Step 2. Complete the adjacent roof sections in the same manner.
7. To complete the upper roof section, take the next batten in the sequence and find the spot on the rafters where it fits the best. Remember, the ends should match up with the centreline of the rafters. This batten will sit further up on the roof rafters. The gap between the edge of the upper roof and this batten will be completed later.
8. Attach the remaining consecutively shorter battens until you reach the peak.
9. Repeat Step 8 for the remaining upper roof sections.
10. Take the additional batten found in the two-tier roof kit and place it in the appropriate position on the upper roof and secure [see Figure D14]. Do not be alarmed if the gap is wider than usual. Secure the remaining pieces to finish the roof sheathing.



OCTAGON GAZEBO*Tongue and Groove Batten Option*

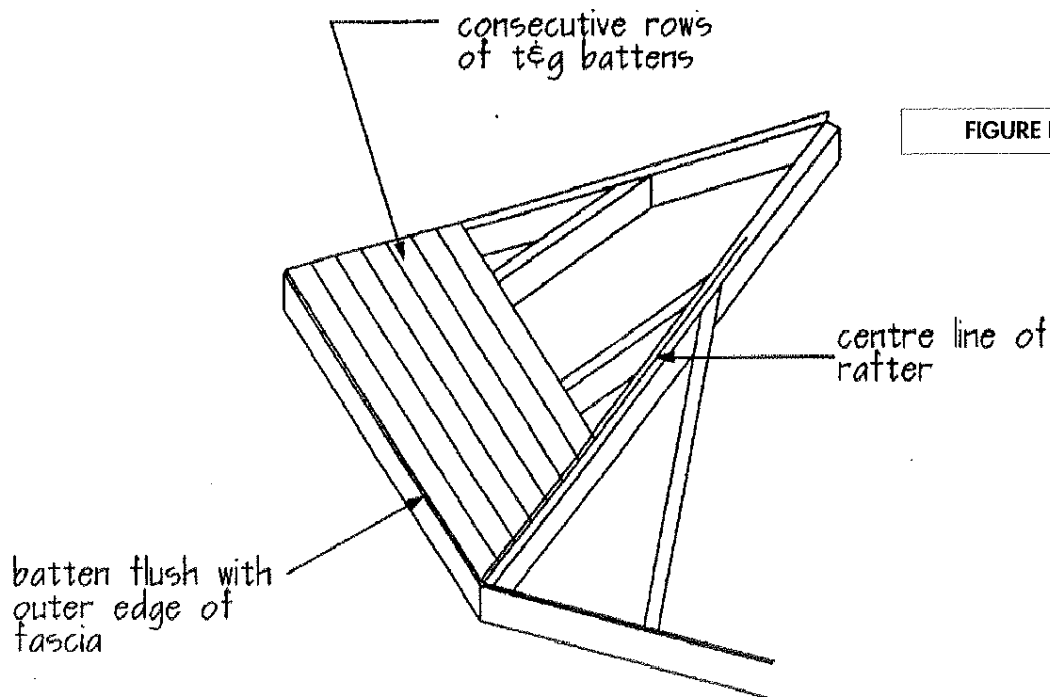
1. Starting with the longest piece, place it so that its longest edge is flush with the outer edge of the fascia board, and the ends of the batten are roughly centred over the long rafters at either end. Remember to place the smooth side facing down into the Gazebo.
2. Secure the batten with one 2" screw wherever the batten crosses a rafter.
3. Repeat this procedure using the longest piece from each bundle on the adjacent pie-shaped roof section.

EXPERT ADVICE:

It is important to position the battens so there is enough wood left to attach to the long rafters.

*If you have purchased the two-tier roof option,
go to Step 6 now.*

4. Attach the next six consecutive smaller pieces from each bundle. Complete the remaining roof sections in the same manner [see **Figure D15**].

**FIGURE D15**

5. To complete the battens, climb on top of the Gazebo and complete each pie-shaped section to the peak in the same method as outlined above.

EXPERT ADVICE:

Use a block of wood and gently tap with a hammer to ensure a tight fit.

Two-Tier Roof

6. Place consecutively shorter pieces on one roof section up to the face rail. You may have to rip the last batten to fit properly. Complete the adjacent roof sections in the same manner.
7. To complete the upper roof section, stand on the previously completed lower roof and take the next batten in the sequence and find the spot on the rafters where it fits best. Remember, the ends should match up with the centreline of the rafters. This batten will sit further up on the roof rafters. The gap between the edge of the upper roof and this batten will be completed later.
8. Attach the remaining consecutively shorter battens until you reach the peak. Repeat for the remaining upper roof sections.
9. Take the additional square end battens found in the two-tier roof kit and place two pieces in each of the remaining gaps in the upper roof. Mark the ends of each batten for angle cutting, ensuring a good fit with the edge of the upper roof. Do not be concerned if there is a slight overhang over the two-tier roof rafter. Secure these two batten pieces as outlined before, and shown in **Figure D16**.
10. Complete the remaining upper roof sections in the same manner.

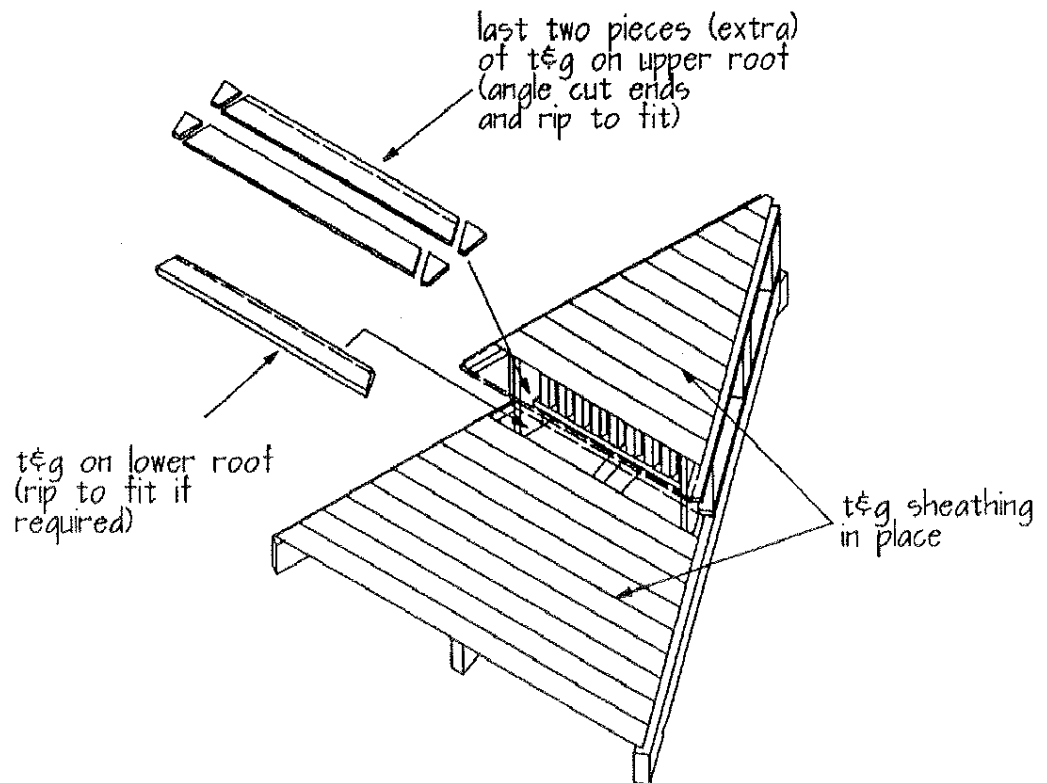


FIGURE D16

OCTAGON GAZEBO

ROOFING PAPER (Tongue and Groove Batten Option Only)

1. You will be required to install roofing felt if you have chosen the tongue and groove batten option. When using the felt, always work from the bottom up, similar to the procedure used for the battens. Complete each pie section of roof before moving the adjacent roof section. If you have the two-tier option, work from the bottom up on the upper roof section first. Then, complete the matching lower roof section, also working from the bottom up. This sequence will help you avoid stepping on, and possibly tearing, the completed portions of the roofing felt.
2. Roll the felt out so that you have about 2" of overlap on the adjacent roof section on the upper side of the roll. Using a knife, cut a 2" overlap parallel to the roof edge, as shown by line AB in **Figure D17**. Make this cut on both sides of the roof section. Staple the felt down to the battens.

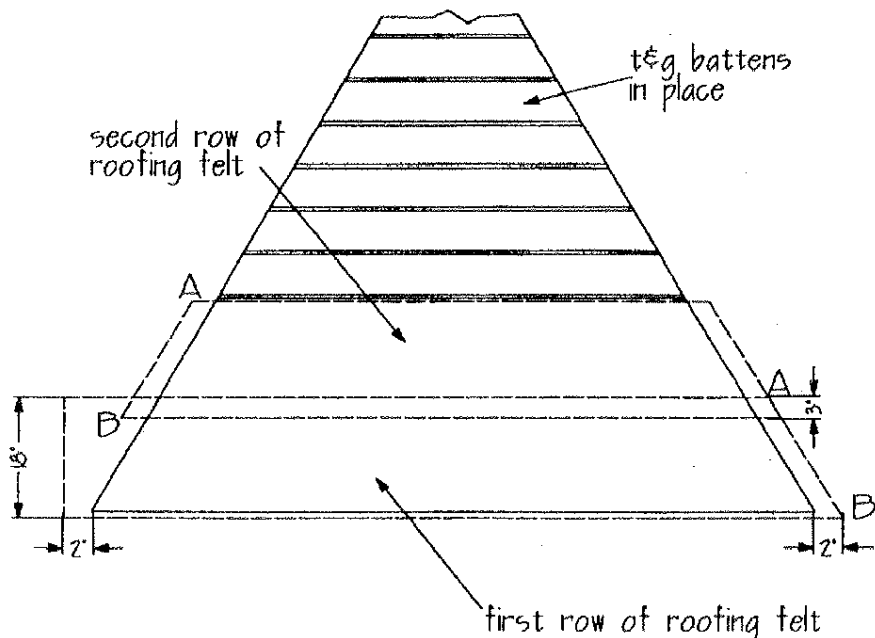


FIGURE D17

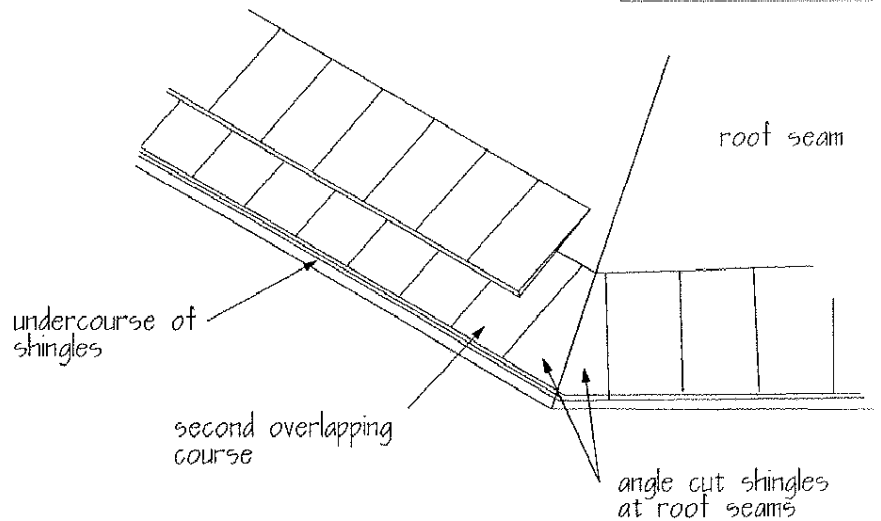
3. Move up the roof and unroll another row of felt. Overlap the downward pieces by about 3". Again, make the same angle cuts as before, leaving 2" of overlap. Staple this portion down as well.
4. Continue until the entire pie section of roof is covered. If you have a two-tier roof, now repeat this procedure on the matching lower roof section.

EXPERT ADVICE:

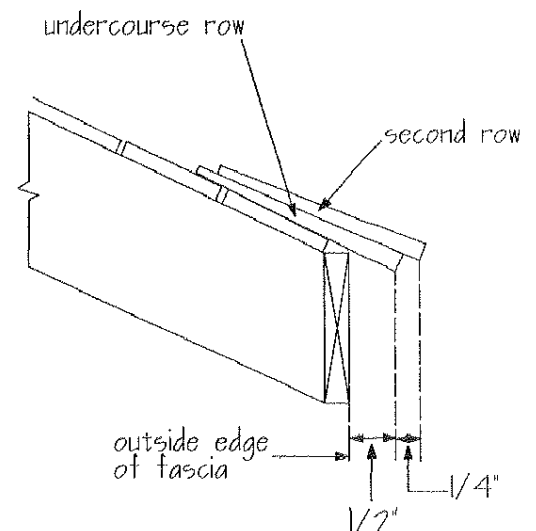
You may be required to sort through the shingles to find the best fit.

SHINGLES AND RIDGE CAPS

1. The first row of shingles you apply is called the undercourse [Figure D18]. The undercourse will overhang the outside edge of the fascia board by $1/2"$. The undercourse shingles will be completely covered by the second row, so use any flawed shingles in the undercourse layer. Place the nails about $2"$ from the bottom of the shingle. Continue fastening the undercourse row, leaving a $1/4"$ gap between the shingles. Finish the undercourse row with an angle-cut shingle, being careful not to place its edge over the roof seam.

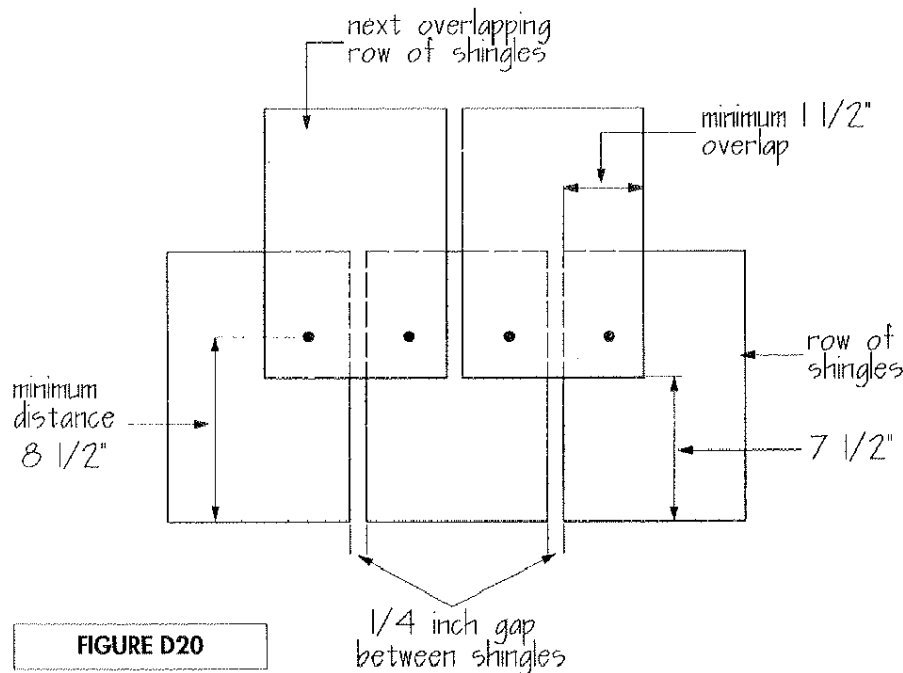
FIGURE D18

2. The second row of shingles proceeds like the undercourse row with three exceptions. First, the bottom edge of the shingles overhangs the undercourse row by $1/4"$. Second, the two nails are placed $8 1/2"$ from the bottom edge of the shingle. (Make sure that you nail into a batten!) Third, always be sure that the edge of shingles of different rows overlaps by at least $1 1/2"$. In other words, never place the edge of one shingle directly over the edges of shingles from the preceding row. The overlap prevents leaks. Should you have a situation where there is less than a $1 1/2"$ overlap, try a wider or narrower shingle (shingles vary in width) that will provide the necessary overlap [Figure D19].

**FIGURE D19**

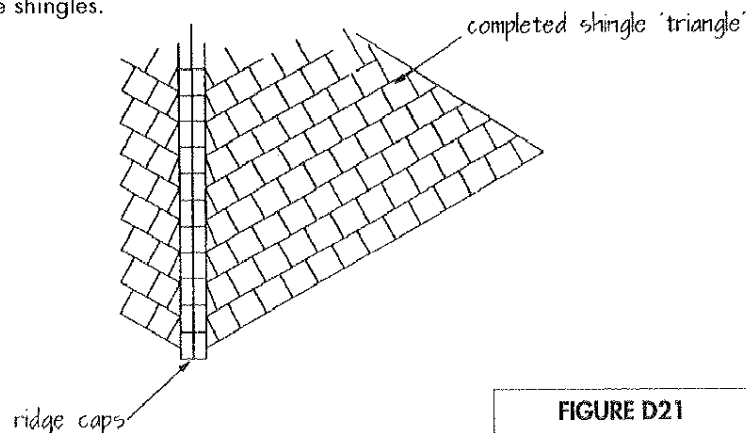
OCTAGON GAZEBO

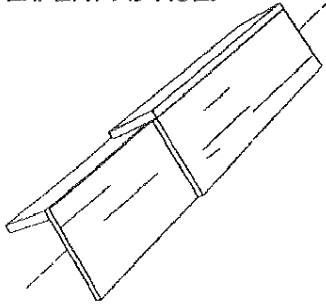
3. The bottom edges of shingles in the third and subsequent rows are placed $7\frac{1}{2}$ " above the bottom edge of the preceding row. Note that this placement should ensure that all nails are covered — again, this helps prevent leaks. It is helpful to use a board with a straight edge to line up the bottom edges of each row, $7\frac{1}{2}$ " from the bottom edge of the preceding course. Remember to place nails $8\frac{1}{2}$ " from the bottom edge of the shingle [Figure D20].

**EXPERT ADVICE:**

If you chose the two-tier roof option, the installation of the shingles on the second tier is similar to the installation on the first tier (described in Steps 2-8), with two exceptions. When working on the lower roof, it will be necessary to cut the shingles to fit as you approach the face rail. Similarly, on the second tier, as you approach the peak you will be required to cut the shingles to fit on the last course or two.

4. Complete installing the shingles on each triangle of the roof. As you approach the top, it will be necessary to score shingles with a utility knife in the last two or three rows so that they fit properly.
5. The ridge caps are placed over and cover the seam between the shingles of the different roof planes, or triangles [Figure D21]. Like the shingles, ridge caps are installed from the bottom up. Place the first ridge cap with the bottom edge $1\frac{1}{2}$ " beyond the outside edge of the shingles. Using 2" nails, fasten the ridge cap to the shingles.



EXPERT ADVICE:

For best appearance, alternate the ridge caps as above.

6. The second ridge cap is placed so that the bottom edge overhangs the bottom edge of the first one by 1/4". Place nails 8 1/2" from the bottom edge of the ridge cap.
7. Install the third and subsequent caps 7 1/2" higher than the preceding one. Use the bottom edges of the shingles as your guide. Remember to place nails 8" from the bottom edge of the ridge cap.
8. If you have purchased the cupola option, now is a good time to assemble it. Do not secure the last two or three ridge caps on each roof seam so that the cupola will sit properly on the shingle roof. For cupola assembly, go to page 44.
9. If you did not purchase the cupola, then continue installing the ridge caps on each roof seam. It will be necessary to cut the ridge caps of the last course.

GAZEBO CAP**EXPERT ADVICE:**

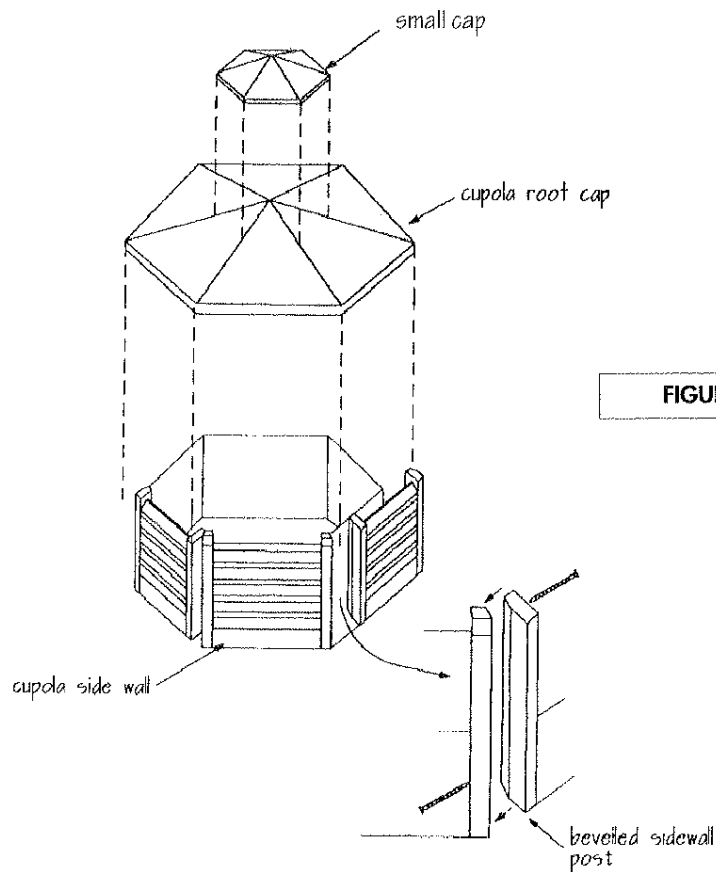
If you chose the two-tier roof option, it will also be necessary to cut the ridge caps as you approach the face rail plate.

1. Secure the Gazebo cap on top of the Gazebo using four 3" screws. Have your helper on the ground indicate the best placement of the cap, then secure with screws.

OCTAGON GAZEBO**CUPOLA OPTION**

Discard the Gazebo Cap if you have purchased this option.

1. The cupola has been partially pre-assembled. You can assemble it on the ground, and then place it in position on the roof when completed.
2. Fasten the bevelled sidewall pieces together. Use two 2" screws per sidewall edge, as shown in **Figure D22**.

**FIGURE D22**

3. When all six sides are assembled, place the large cap on the top of the cupola wall. Be certain to level the cap. Secure the cap using 3" screws spaced every second roof panel. Screw from the top down into the sidewall pieces.
4. Secure the small shingle cap to the large cap using 2" screws.

EXPERT ADVICE:

Have your helper on the ground indicate the best position for the Cupola, then screw into place.

5. To mount the cupola on the Gazebo roof, remember to line up the cupola posts with the roof seams. The bottoms of the cupola walls have been bevelled to site properly on the roof. Using 3" screws, fasten the cupola to the Gazebo roof [Figure D23].
6. Continue with the ridge caps to complete the roof. You may have to trim the last couple of ridge caps to fit properly up against the cupola base. If you must trim two or three ridge caps, make them all about the same length so that the pattern is consistent [Figure D23].

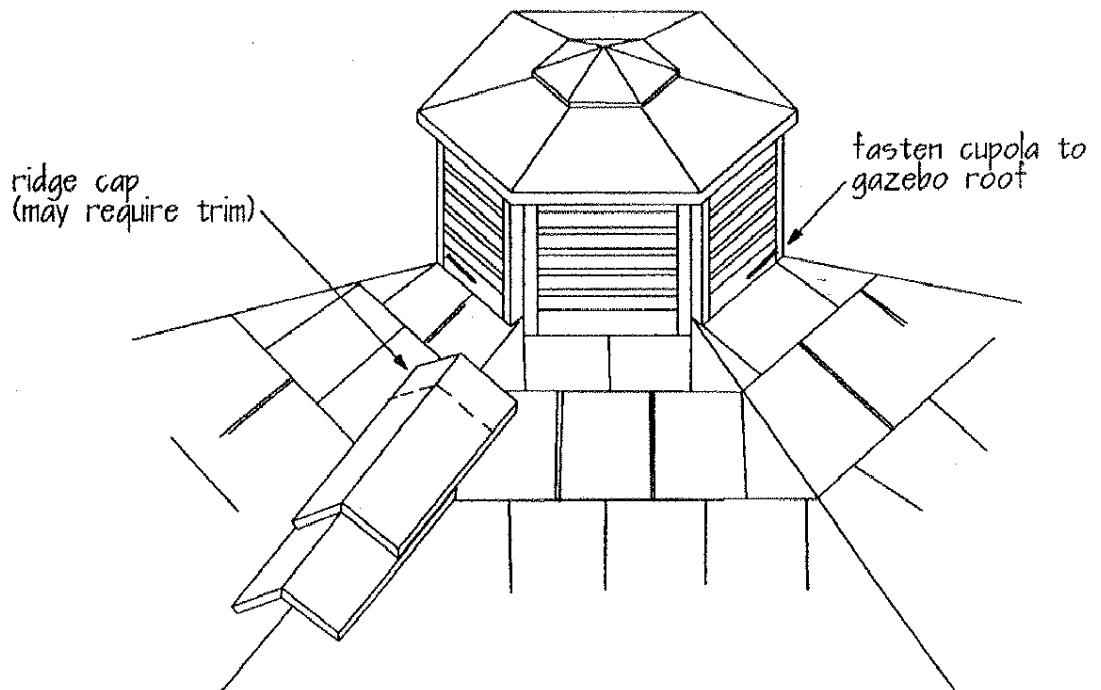


FIGURE D23

OCTAGON GAZEBO**CONGRATULATIONS!**

You have successfully completed the construction of your Octagon Gazebo. Thank you for choosing a CEDARSHED product. We hope that your entire experience was a rewarding one and that you and your family will have years of enjoyment with our product.

As mentioned in the questionnaire (included inside the unit packaging along with the checklist of parts), by completing our questionnaire and mailing a picture of your completed Cedarshed product, we will send you a personalized plaque free of charge that you can mount on your structure (max. 35 letters).

Please refer to the questionnaire or call Cedarshed if you require additional information.

TOLL FREE CUSTOMER SUPPORT: 1 800 830-8033

E-MAIL: sales@cedarshed.com

Mailing address**in Canada:**

CEDARSHED Industries
9770 - 199A Street
Langley, BC V1M 2X7
Canada

in USA:

CEDARSHED Industries
P.O. Box 2189
Blaine, WA 98231
USA

Visit our Website: www.cedarshed.com



Gazebos and Sheds from Cedarshed Industries - Site Map

Consumer's Corner



[Return to main menu](#)

Specifications for Garden Sheds and Gazebos

GARDEN SHEDS									
Item	Inside Height	Floor Dimensions		Outside Dimensions (includes roof overhang)					
		Width	Length	Width	Length	Height	Door Opening	Weight	Installation Times*
8x3 Yardsaver	72"(B) 65"(F)	90"	36"	93"	43"	80"(B) 73"(F)	43"x66"	520 lbs	2 Hrs
6x6 Gardener	89 1/2"	69"	74 1/8"	82"	85 1/2"	100"	30"x71"	625 lbs	2 Hrs
6x9 Gardener's Delight	87"	72"	110"	82"	118"	95"	35"x69"	825 lbs	4 Hrs
9x6 Cabana	89 1/2"	108 9/16"	69"	120"	82"	100"	30"x71"	1050 lbs	4 Hrs
8x10 Rancher	94"	93"	120 5/8"	105 1/4"	132"	105"	50 1/2"x72 5/8"	1200 lbs	5 Hrs
12x8 Haida	94"	144 5/8"	93"	148"	105 1/4"	105"	38 1/2"x71"	1500 lbs	5 Hrs
8x8 Sunhouse	92"	93"	93"	95 1/2"	96"	102"	43 1/2"x69"	1000 lbs	5 Hrs
8x12 Sunhouse	92"	93"	139 1/2"	95 1/2"	142 1/2"	102"	43 1/2"x69"	1400 lbs	6 Hrs
12x12 Sunhouse	92"	136 5/16"	139 1/2"	139 "	142 1/2"	102"	43 1/2"x69"	1800 lbs	8 Hrs

GAZEBOS									
Item	Inside Height	Floor Dimensions			Outside Dimension (includes roof overhang)				
		Diameter	Sidewall	Rim Joist**	Diameter	Sidewall	Height	Door Opening	Weight
12' Octagon All Season	118"	156 1/2"	145"	59 5/8"	180"	162"	128"	43"x73"	2500 lbs
10' Hexagon All Season	114"	136 1/4"	118"	68"	154"	133"	124"	43"x73"	2200 lbs
10'x13' Teahouse	118"	156"	111"	55 7/16"	167"	127"	128"	34"x73"	2200 lbs
14' Octagon	125"	181"	168"	68 15/16"	205"	187"	135"	64"x73"	2400 lbs
12' Octagon	118"	156 1/2"	145"	59 5/8"	178"	163"	128"	55"x73"	2000 lbs
10 Hexagon	114"	136 1/4"	118"	68"	154"	133"	124"	62 1/2"	1700 lbs
8' Hexagon	108"	111 1/4"	96"	55 7/16"	136"	116"	118"	50"x73"	1500 lbs
6' Hexagon Gabriola	92"	85 1/4"	75"	39 3/8"	100"	91"	102"	37"x73"	850 lbs
10'x10' Square Gazebo	114"	127 1/8"	127 1/8"	N/A	147"	147"	124"	34"x73"	1700 lbs

* Precut Gazebos take 2 people 2 to 4 days to complete, panelized gazebos take 2 people 1 day to complete.