

C A B A N A

PANELIZED GARDEN BUILDING

INSTRUCTIONAL MANUAL

Cedarshed Industries (1992) Inc.
9770 - 199 A Street
Langley, B.C. V1M 2X7
Canada



INTRODUCTION

The main steps in the assembly sequence are:

- A. SITE SELECTION
- B. FLOOR ASSEMBLY
- C. WALL ASSEMBLY
- D. ROOF INSTALLATION
- E. PROJECT COMPLETION

The assembly of your Cabana shed requires two people. The total time for assembly is approximately 6 person hours. A third person is sometimes helpful, particularly when working on the roof structure.

CABANA

A FEW WORDS ABOUT THE CARE AND COSMETICS OF YOUR CABANA

Your Cabana is made of Western Red Cedar lumber, a beautiful and durable outdoor wood that will enhance your leisure space and your property, and provide years of enjoyable use.

Natural, unfinished Western Red Cedar, when exposed to the elements, will weather to a beautiful silvery grey. If you prefer to maintain the natural tones of Western Red Cedar, please ask your Authorized Cedarshed Dealer to recommend a quality stain, which is best applied after assembly.

You may also notice occasional coloured chalk or crayon markings on parts of the wood. These markings can be removed with a damp cloth or a very fine sandpaper.

When we package your Cabana for shipping, it is wrapped in an environmentally friendly paper product, and held in place by staples. Be sure that all the staples are removed – a pair of pliers may be necessary.

NOTE:

Assembly of the Cabana will require the use of power tools and certain applications will require a ladder. Please take precautions at all times.

The customer agrees to hold Cedarshed Industries (1992) Inc. (Cedarshed) and any of our Authorized Dealers free of liability due to improper installation, maintenance and repair of any Cedarshed products.

Obtaining necessary municipal, county, state (whichever applicable) permits is the sole responsibility of the purchaser.

Please see our website at www.cedarshed.com for additional safety points and other considerations to promote safe and enjoyable usage of your new Cabana for many years to come.

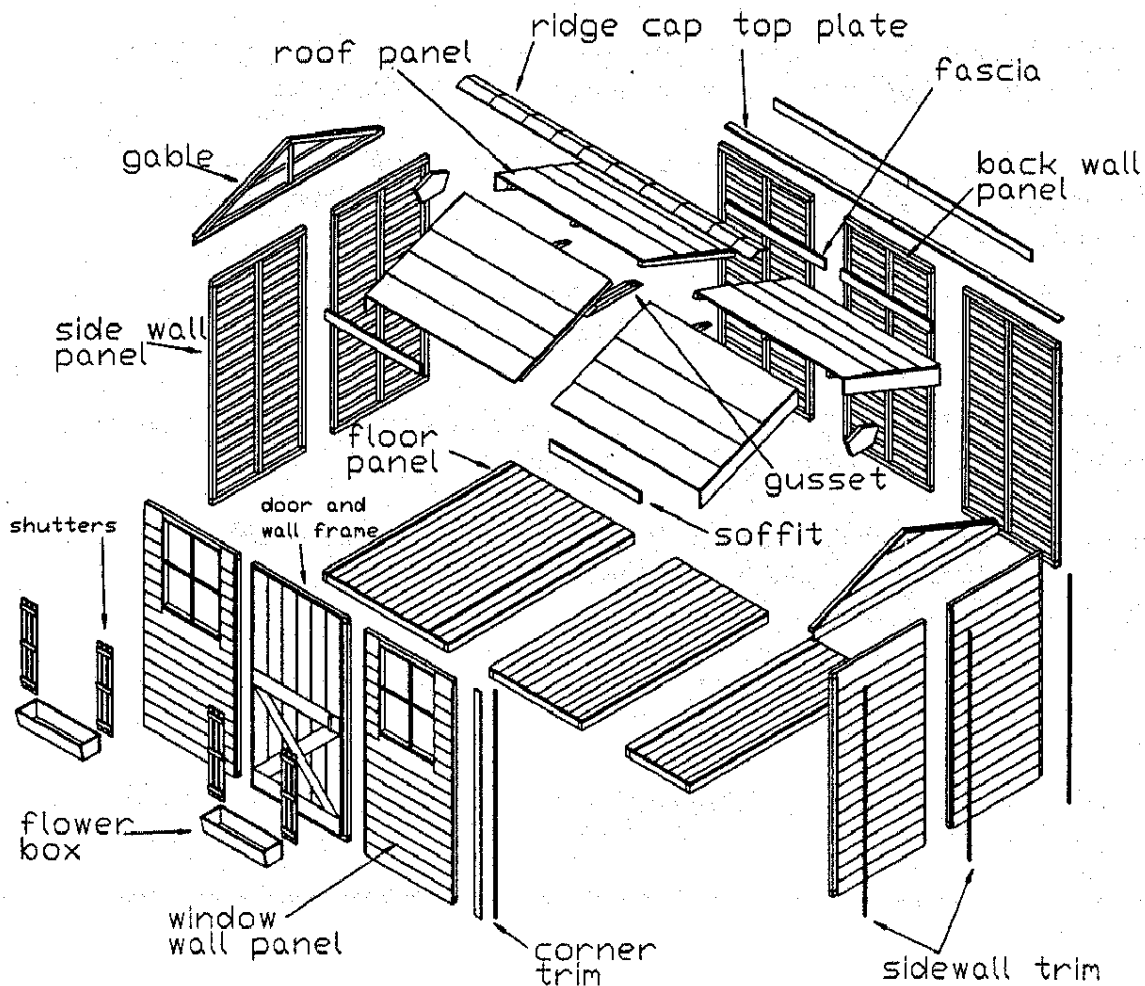
UNPACKING

To Confirm you have received all parts, sort pieces according to usage. Call or e-mail us immediately if you are missing any parts and we will courier any part(s) within seven (7) days, free of charge.

Toll Free Customer Support Line: 1 800 830 8033

Email: Sales@cedarshed.com

If you will be working on a Cedarshed product over the course of several days, please cover any pieces to keep them sheltered from the elements.



PARTS LIST FOR CABANA

Floor:	1 - 46 1/2 x 69"
	1 - 27 5/8" x 69"
	1 - 34 1/2 x 69"
	2 - Rim Joist 2x3 - 69"
Walls:	3 - 34 1/2 Back wall Panels
	4 - 34 1/2 Sidewall Panels
	2 - 34 1/2 Front wall (window)
	7 - Top Headers 2x3 - 34 1/2
Door Frame + Door:	1 - 30 7/8"
Roof:	4 - End Panels 48 x 60"
Top Plates:	2 - 1x3 - 63 7/8"
	4 - 1x3 - 54 3/8"
Bottom Skirting:	9 - 1/2 x 3 - 33"
	1 - 1/2 x 3 - 31 3/8"
Top Skirting:	4 - 1/2 x 4 1/2 - 33"
	5 - 1/2 x 3 - 33"
Soffits:	4 - 4 x 54 3/8"
Fascia:	4 - 3 1/2 x 59 1/4"
Gussets:	4 - 42" (Double angle cut)
Corner Board Trims:	4 - 4 x 77 1/2" - Wide pieces
	4 - 1 3/8 x 77 1/2" - Narrow pieces
Finishing Trim:	2 - 1 1/2 x 79 1/2" - Pieces
	2 - 1 1/2 x 77 1/2" - Pieces
Metal Roof Flashing:	8 - Pieces
Ridge Caps:	1 - Bundle
Window Box	2
Shutters:	4
Door Handles:	1
Barrel Bolts:	1
Hasp:	1
Plaques:	2 - Pentagon (no picture)
	1 - Square (with picture)
Hardware:	200 - 3" Screws
	35 - 2" Screws
	200 - 1 3/4" Finishing Nails for trims
	20 - 1" Nails for felt
	1 - Roll of Roofing felt
	50 - 2" Ridge Cap nails

PRE-ASSEMBLED COMPONENTS

Your Cabana has been shipped from the factory in pre-assembled panels to assist you in ease of construction. Each of the pre-assembled components are marked to describe whether they are front, side or rear panels.

TOOLS REQUIRED

- 6' Step Ladder
- Hammer(s)
- Electric power drill(s) or cordless drill(s) [with extra batteries] and appropriate screw head bit
- Carpenter's level
- Measuring Tape
- 1/8" Drill Bit
- Garden shovel [for site work]

A. SITE SELECTION

Be sure to allow for a 12" (31cm) roof overhang on all sides of your Cabana. The overhang is included in the table figures below.

It is important that you site surface is flat and stable.

The following list shows the area required for your Cabana:

Size of Cabana – 69" D x 109" L

Area Required – 6' 10" x 10'

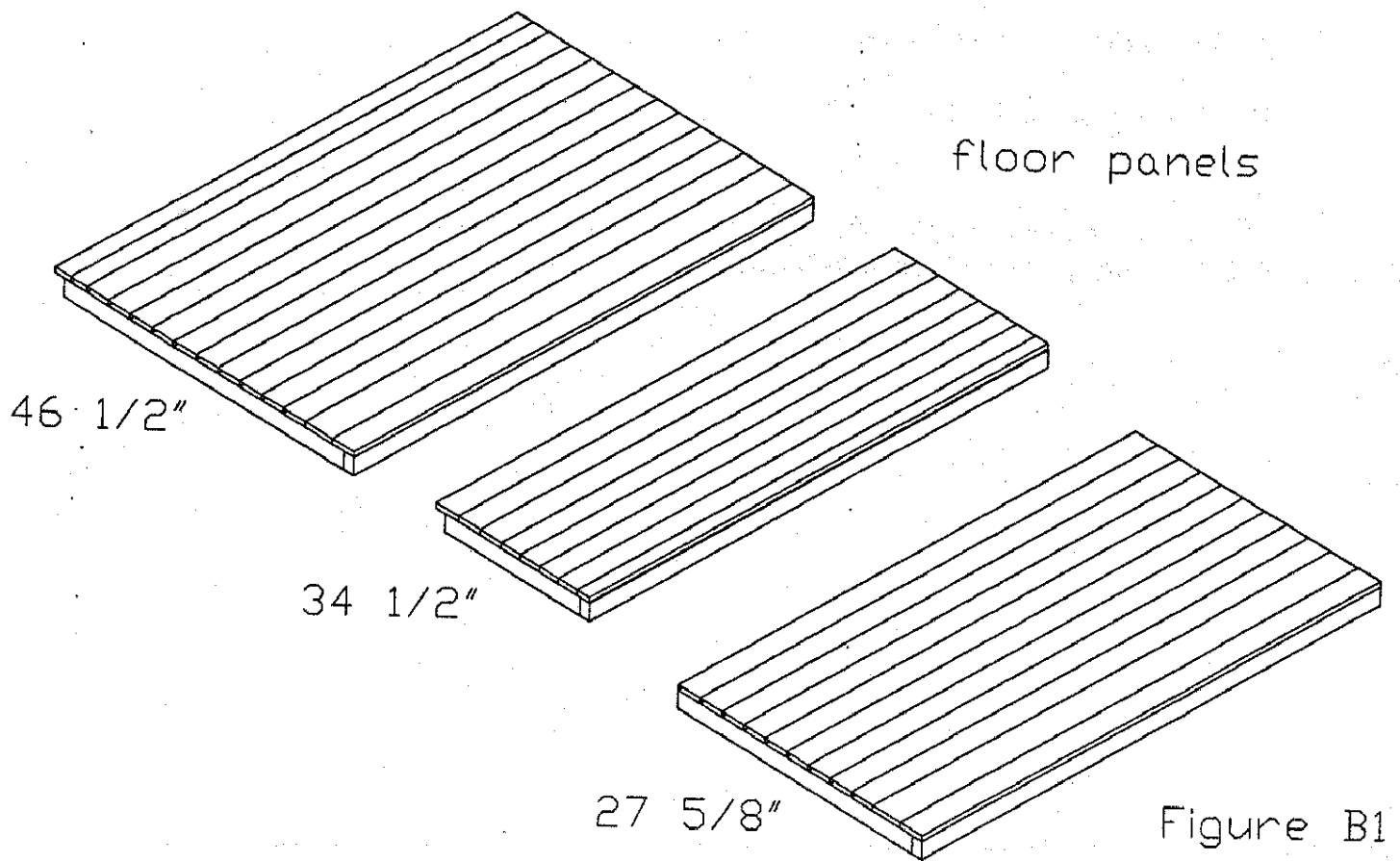
Vertical Clearance – 8' 3 1/2"

Take some time now to plan the orientation and sitting of your building to suit your particular site requirements.

B. FLOOR ASSEMBLY

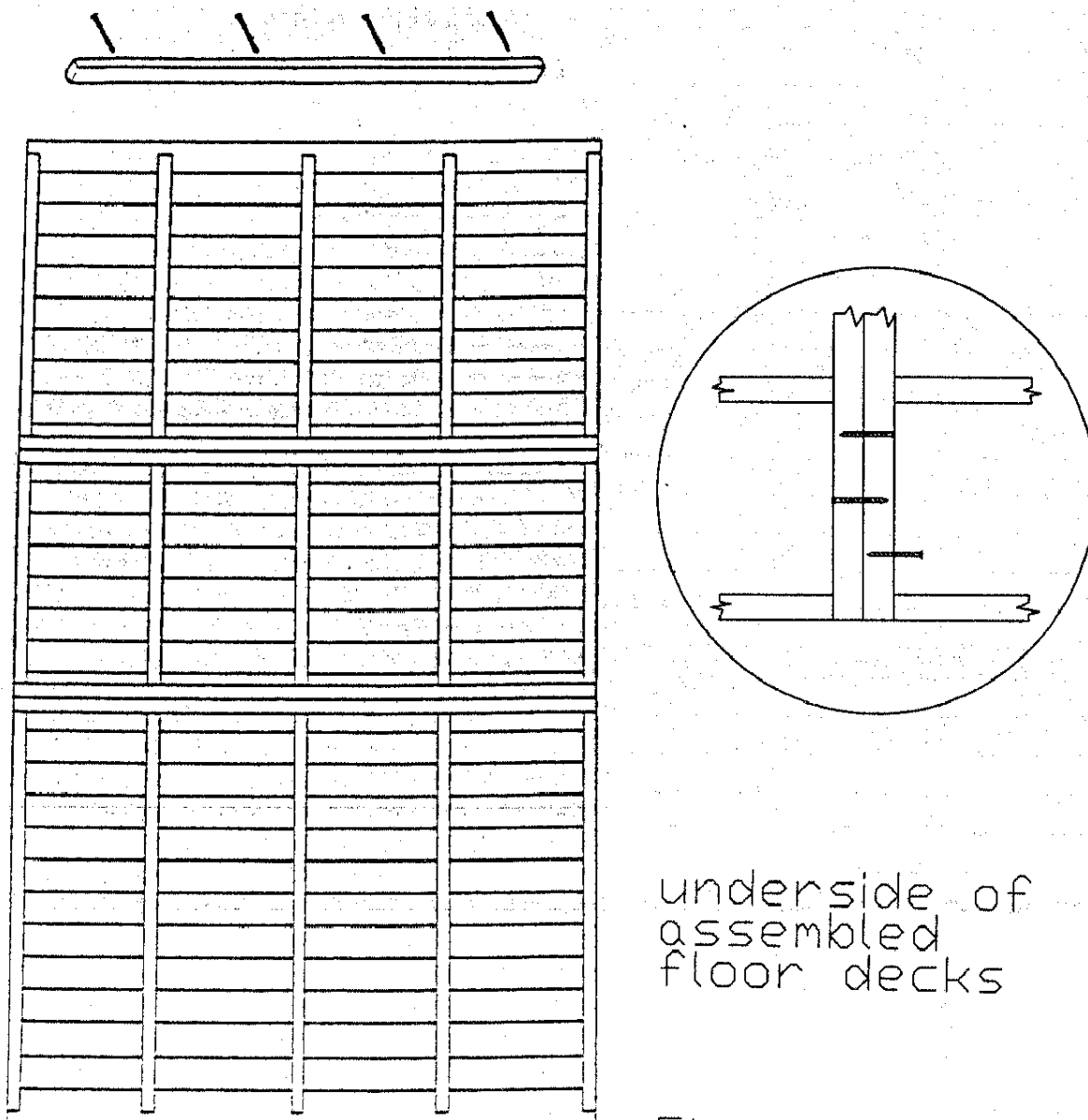
The floor comes in three pre-assembled sections:

1. Un-package the three floor sections and place them on level ground in the order as shown in Figure B1.



2. Flip all three sections so the decking is facing down.
3. Attach floor rim joist using 3" screws to open ends of flooring.
4. Using 3" screws every 12 inches, fasten the floor sections together along the length of each section. Alternate the screws as indicated in figure B2. This will strengthen the Cabana base.
5. Now that the floor sections are screwed together, use the help of an assistant and flip the floor over so the decking is back on top.

(2x3 joist attached to open end of deck)

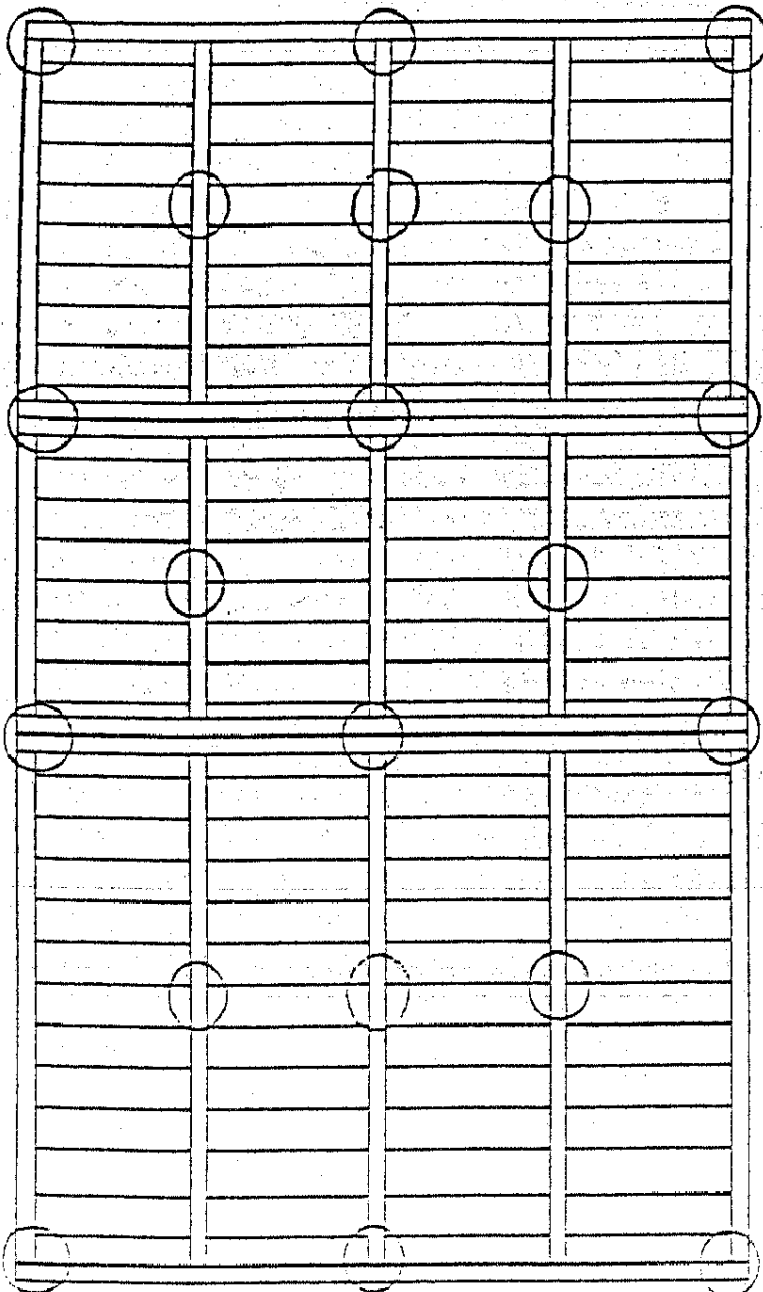


underside of
assembled
floor decks

Figure B2

FLOOR LEVELING

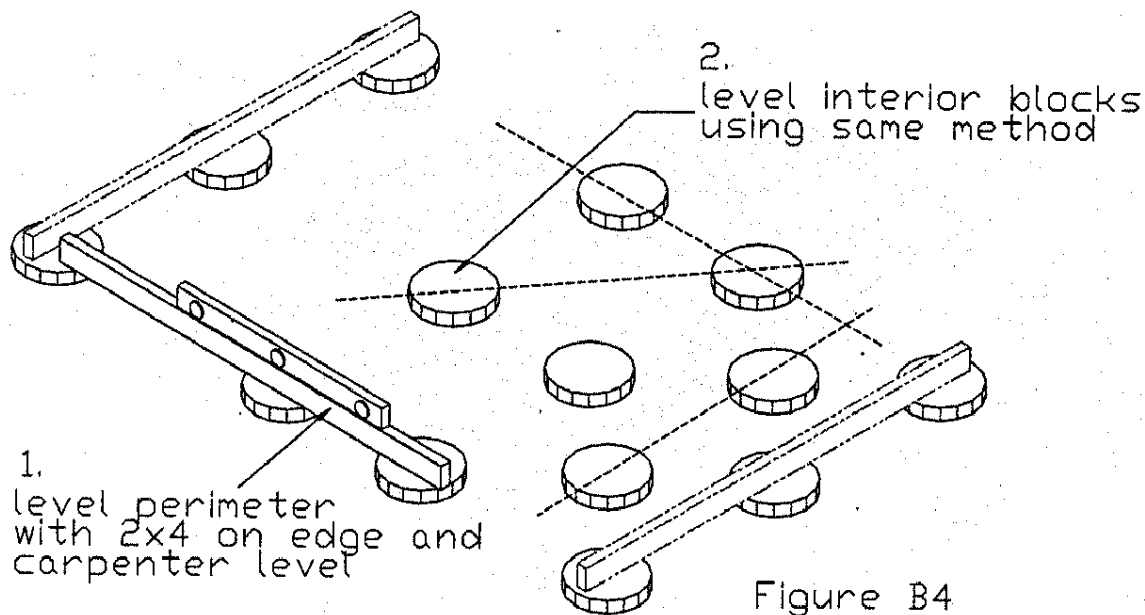
1. At this point in the construction you will be required to level your site. It is extremely important that the floor assembly be absolutely level. If it is not, you will encounter difficulty later when trying to align the wall panels with each other and the roof system.
2. Place your patio stones on the ground using Figure B3 as a guide. Position the stones so that they do not protrude more than a couple of inches outside the building envelope. Depending on your site conditions, you may not require all 20 stones as shown. Use as many stones as necessary to remove any deflection {or bounce} in the floor.



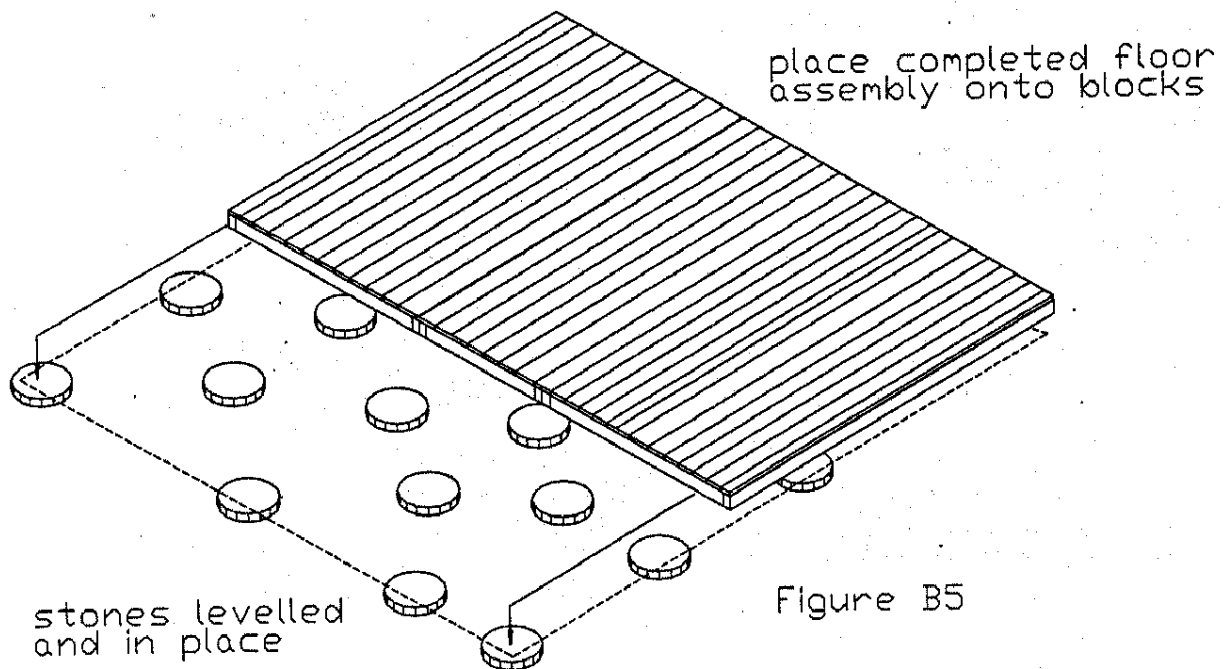
suggested stone
placement for floor
stabilization

Figure B3

- Use a 2x3 or 2x4 straight piece of lumber on edge, and a carpenter's level to level the perimeter patio stones. Add or remove soil under each stone until it is flush with the bottom of the 2x4 as shown in Figure B4. Continue this procedure with the interior stones until you are satisfied all the stones are level with one another.



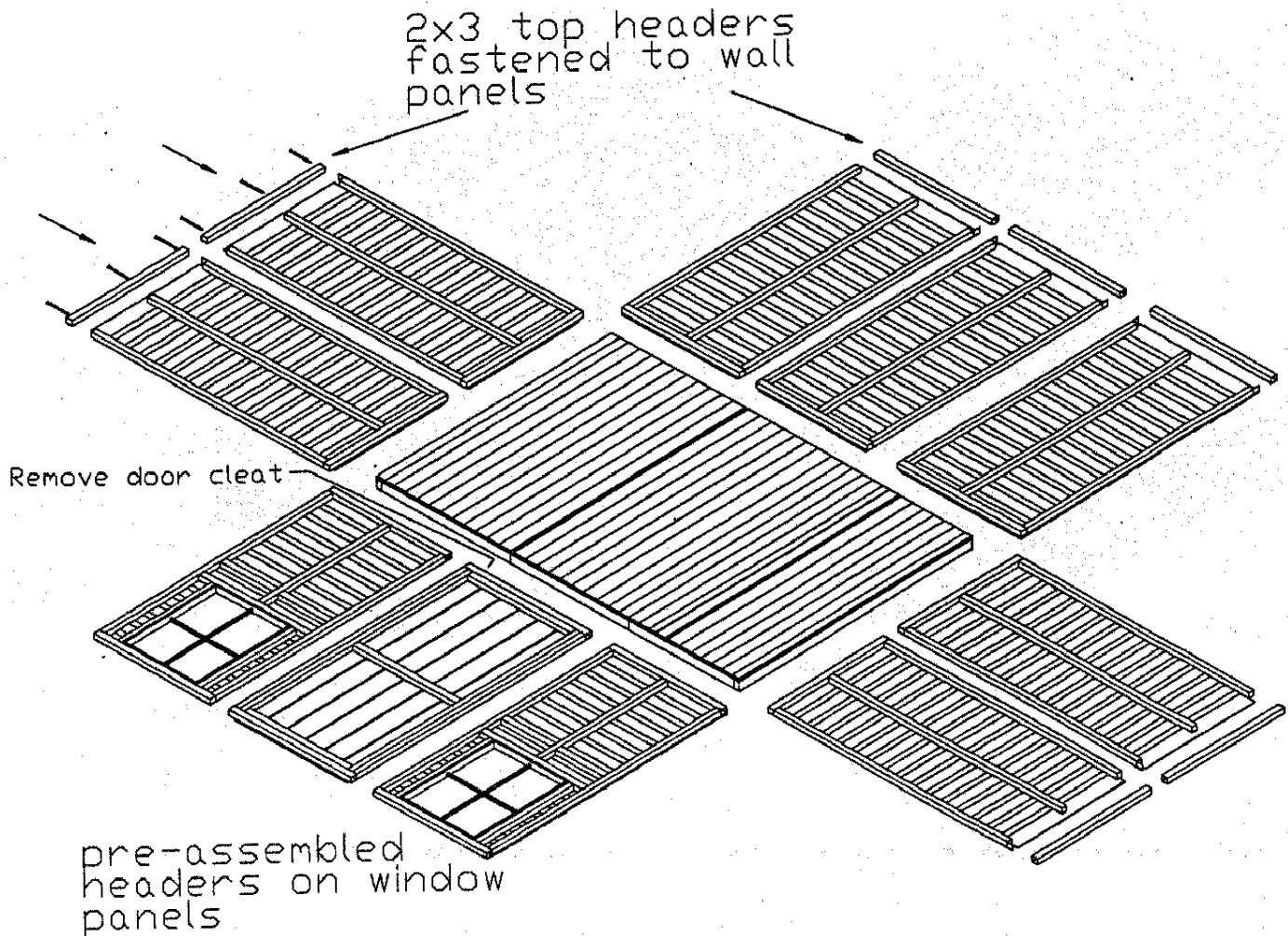
4. With a helper, lift the completed floor unit onto the patio stones [see Figure B5]. Place the level at various points on the deck and check to ensure it is level. Walk on the deck and check for excessive bounce or rocking. Adjust soil and stones as required. When you are satisfied with the position of the floor unit, you are ready to proceed with the wall assembly.



C. WALL SECTION ASSEMBLY

The wall assembly comes in ten pre-assembled panels. Seven of these panels are solid, two are window panels and one is a door panel. Notice that the door panel is comprised of the frame and pre-hung door.

1. Lay all the panels around the floor deck, as shown below. You will be required to attach a 2x3 header to the top of all wall panels, except the panels containing a window. Use 3" screws to fasten.



2. Once the panels are completed, begin fastening them together, starting with the left side and then the rear [see Figure C2]. When positioning panels together, make sure they are aligned so the 2" gap is located in the center. The detail in Figure C2 shows the alternate screw pattern for fastening the 2x3 wall frames together.

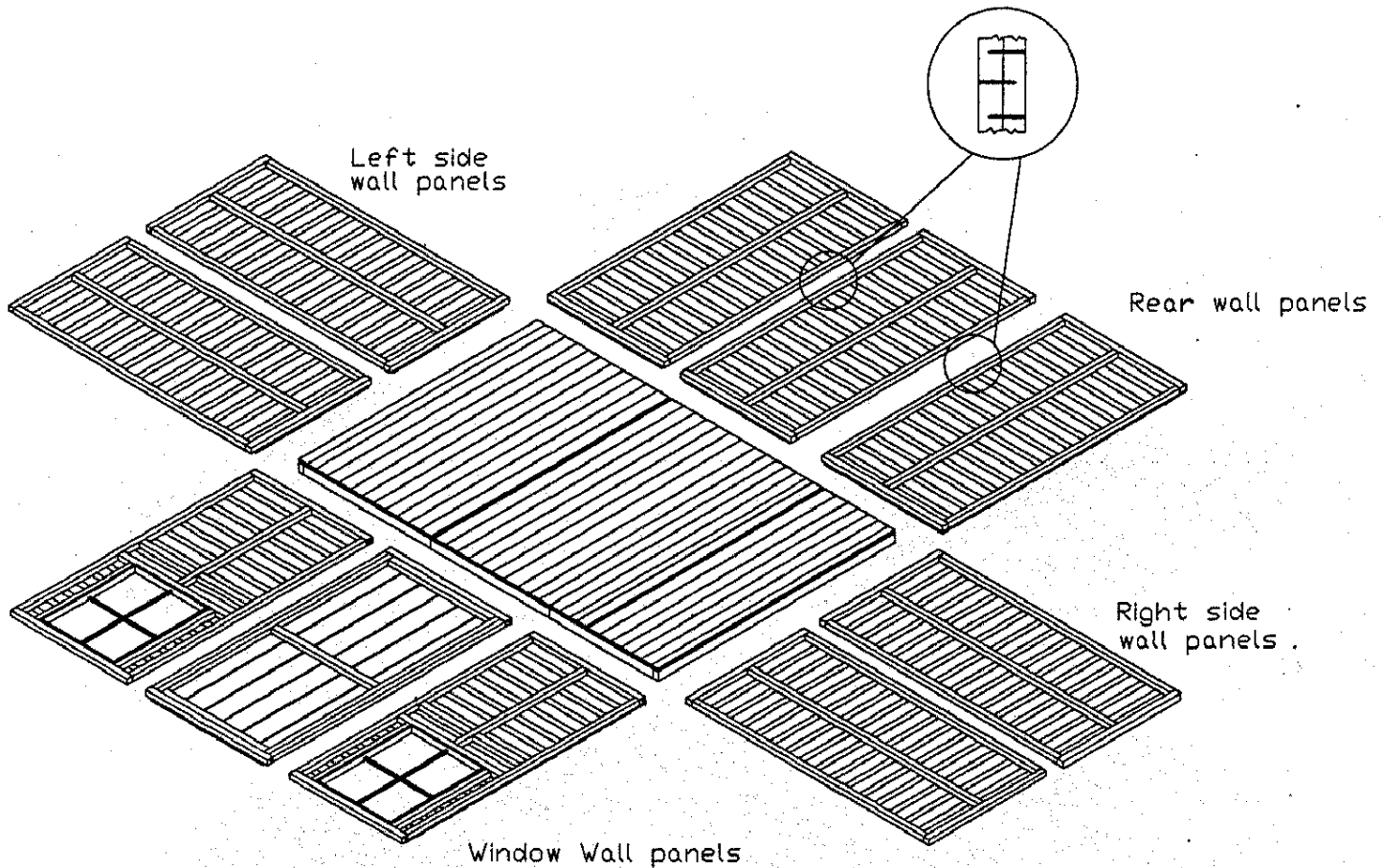


Figure C2

3. With the help of an assistant, erect the left wall and the rear wall and hold. The sidewall should meet the rear wall in a butt joint [see Figure C3]. The wall panels should be flush with the outside edge of the floor panels. Fasten using 3" screws every 12 inches.

Note:

Fastening wall corners with one screw will keep it from falling over yet allow you to adjust assembly! Do not do the final fastening until all walls are up and fitting well on the floor. When you are satisfied with the final placement, begin placing screws at 12" intervals

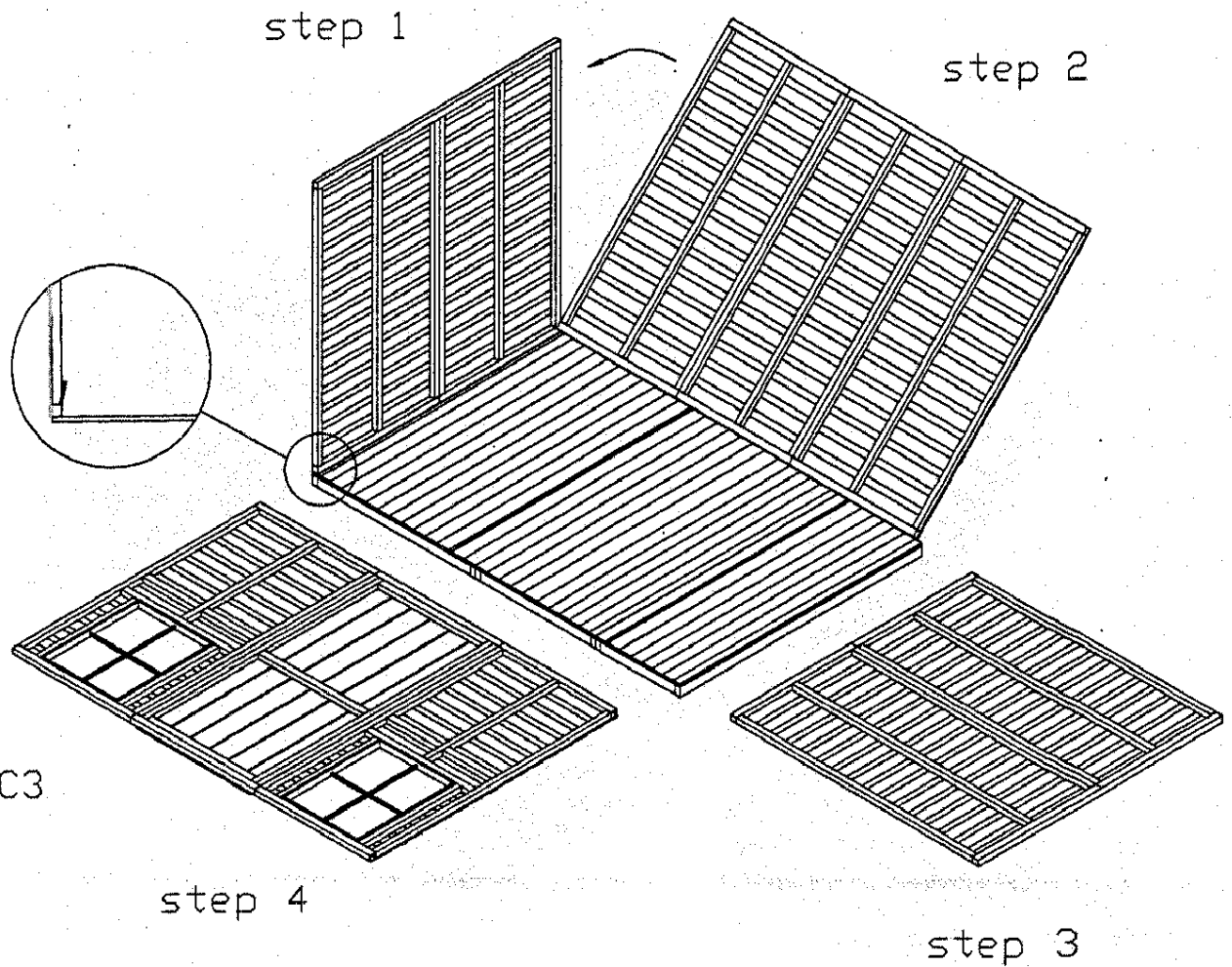


Figure C3

4. Continue as in Figure C4 by erecting the other end wall assembly. Again, the right wall panel should sit flush with the outside edge of the floor.

5. Now place the window walls into their correct positions. You may choose to erect the three panels separately because the door panel may be heavy and awkward. When the window walls are in place, lift the door assembly into position. Check to see that all trim boards on the door panel are seated properly. Attach the door frame to adjacent wall frames with 3" screws [see Figure C5].

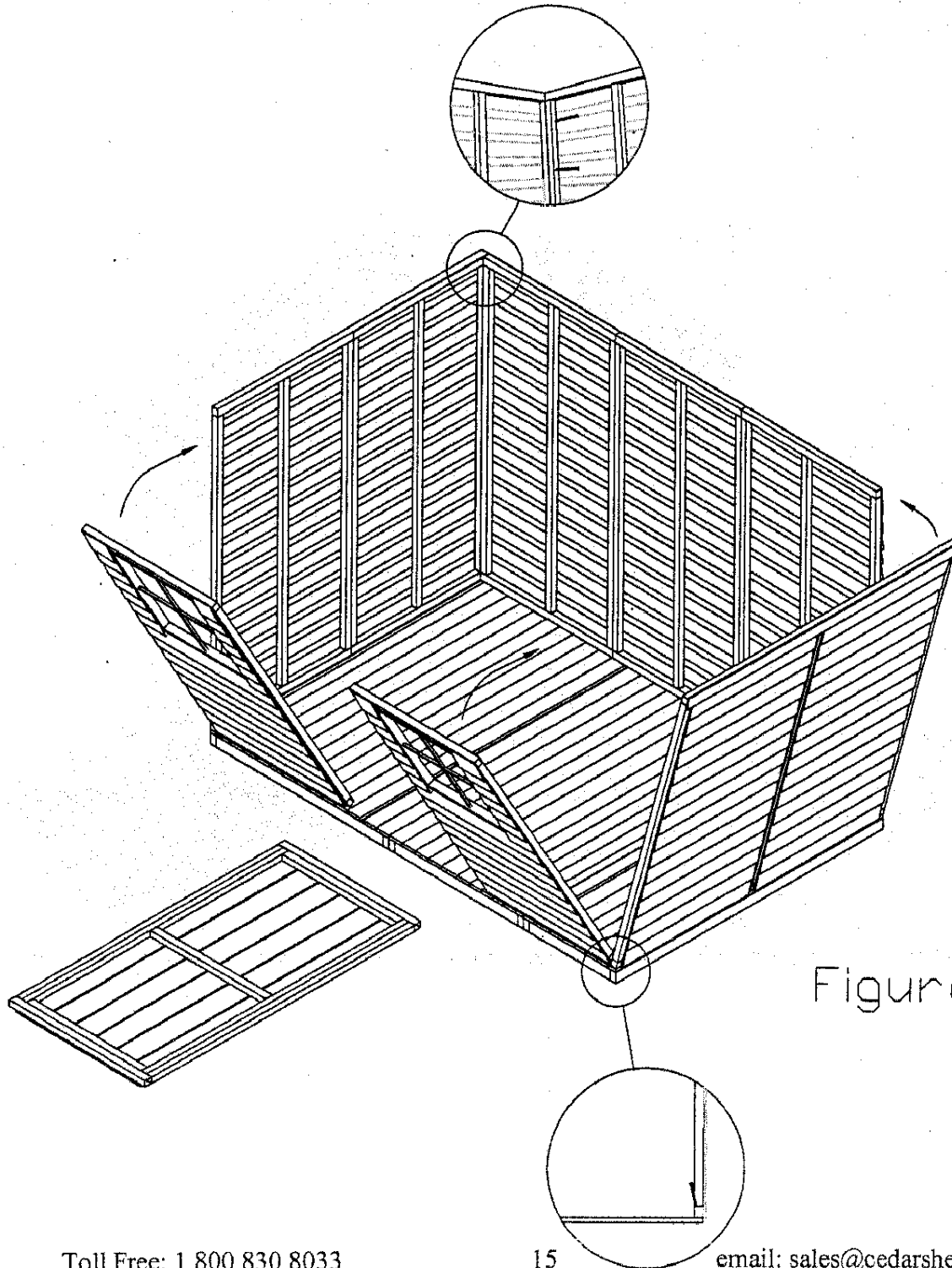


Figure C4

6. Align door and attach using 3" screws. Now is a good time to attach door hardware.

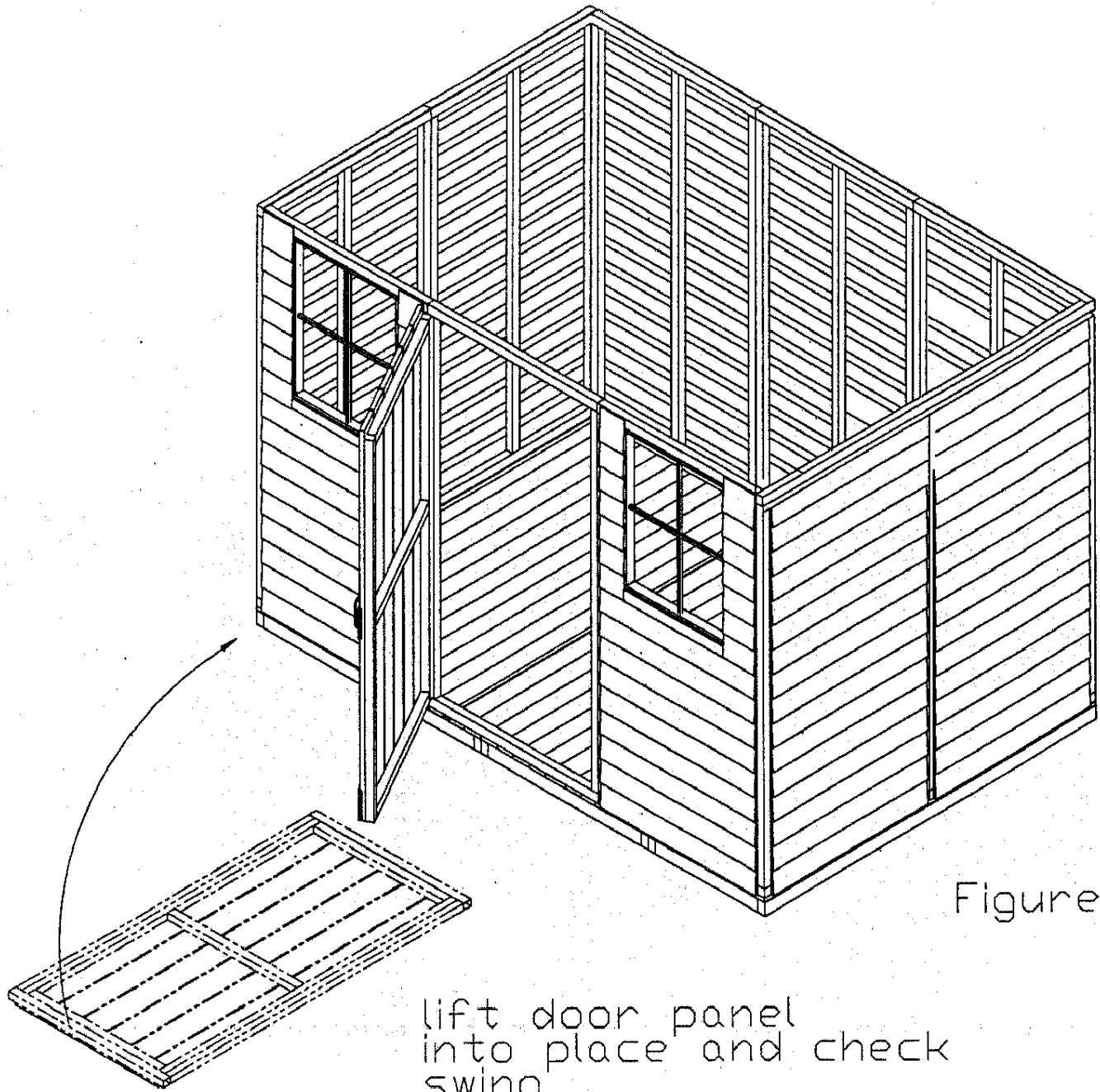
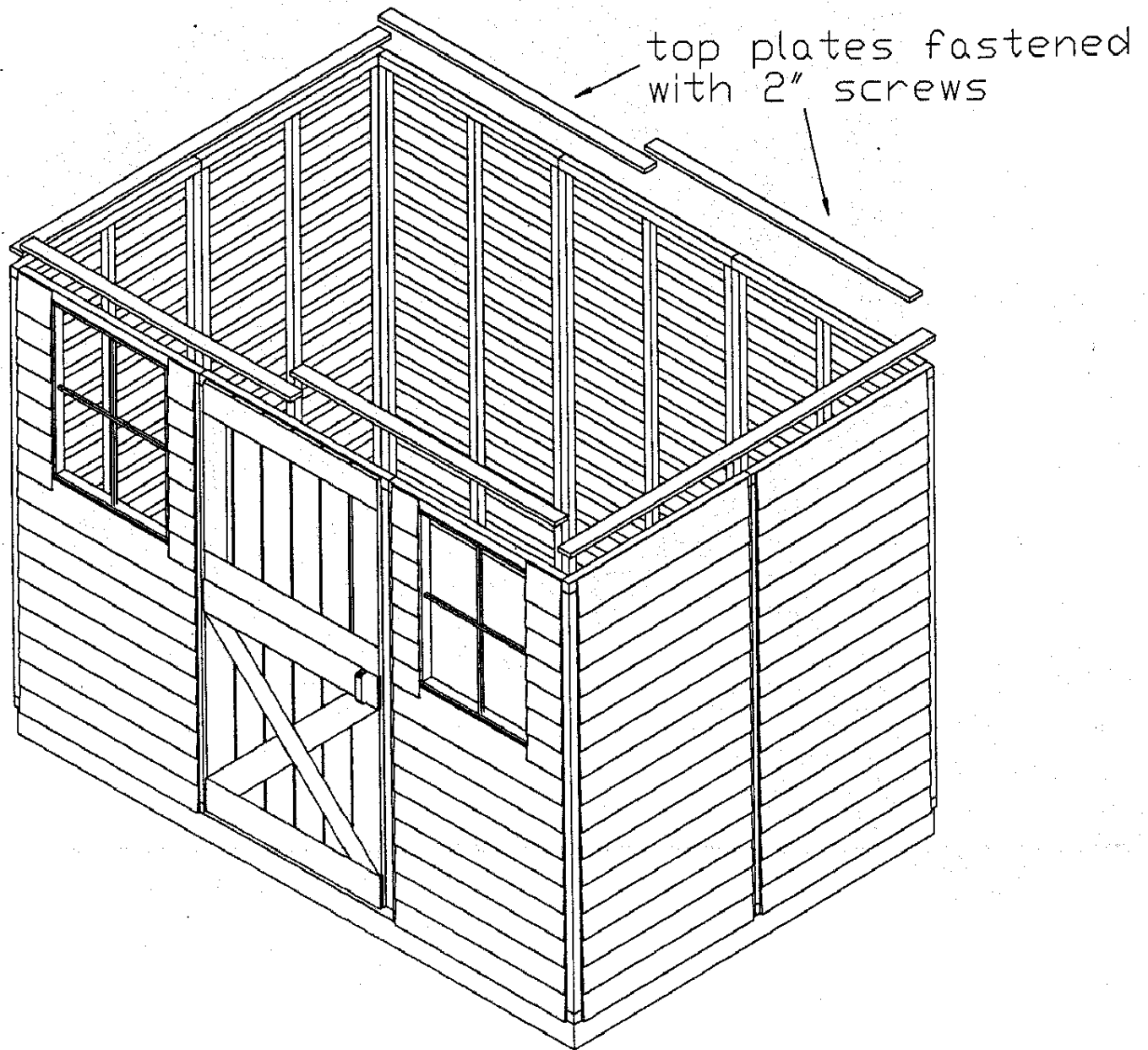


Figure C5

7. Starting with the back wall, mount the 1x3 top wall plates to the header of each wall panel as shown below, using 2" screws every 12 inches.



8. Position the gable wall on top of the top plate of the front and back of the Cabana. The 2x3 frame should sit flush on the 2x3 wall frame and 1x3 plate. [See detail in Figure C7]. Use 3" screws.

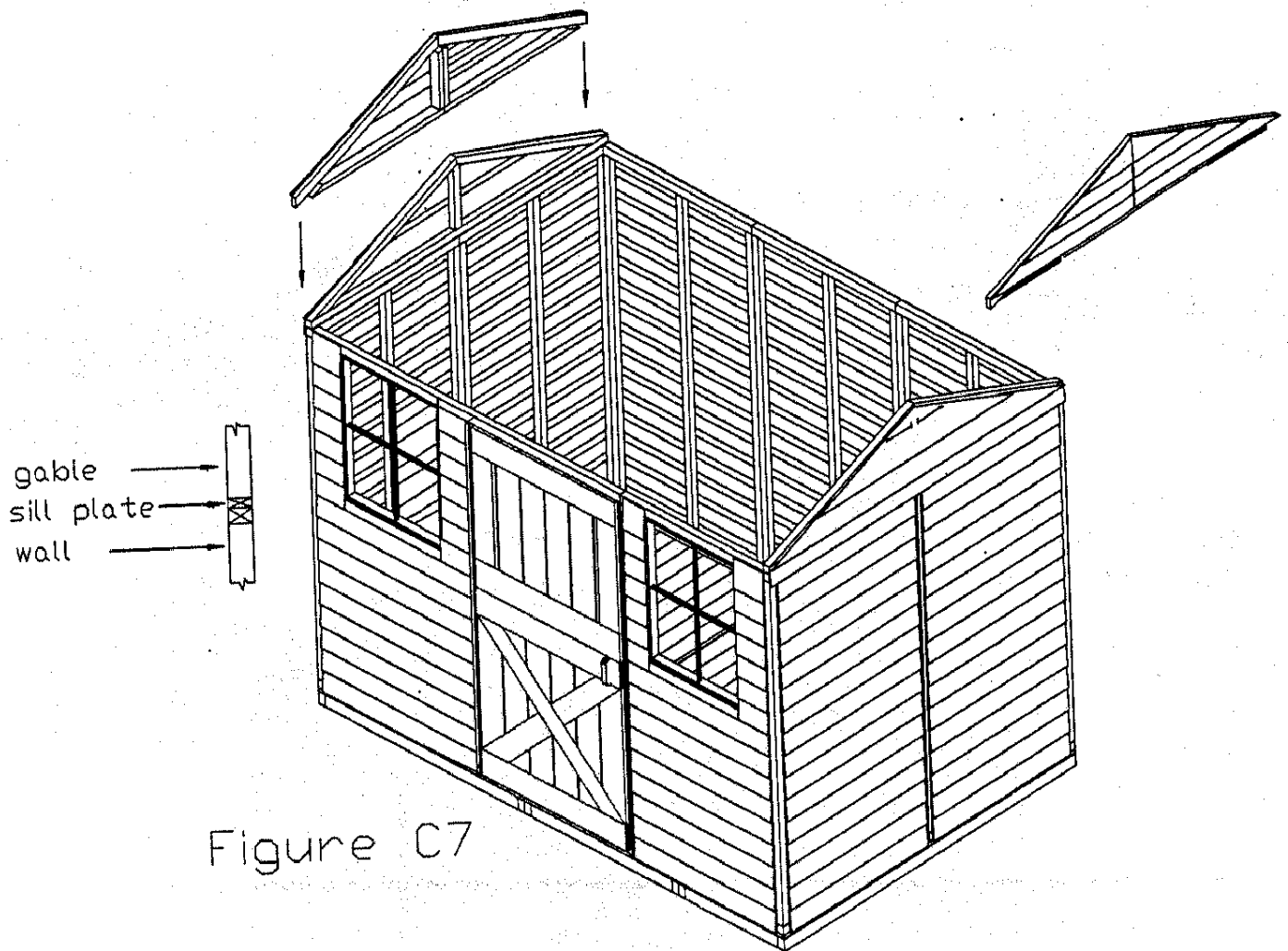


Figure C7

D. ROOF ASSEMBLY

You'll definitely need help with the roof panels. You'll also need an 8' stepladder to help you with placing the roof panels on the structure.

1. Take one of the roof panels and hoists it up onto the side and top of the Cabana. Notice that the factory installed fascia should be facing outward. The roof panel should sit on the wall frame. Tack the roof panel down with 3" screws. Complete the opposite side. Both roof panels should fit snugly together [see Figure D1].

Note:

The end gable fascia boards indicate the left and right of each roof panel. You may need to adjust the panels until the fascia line up properly.

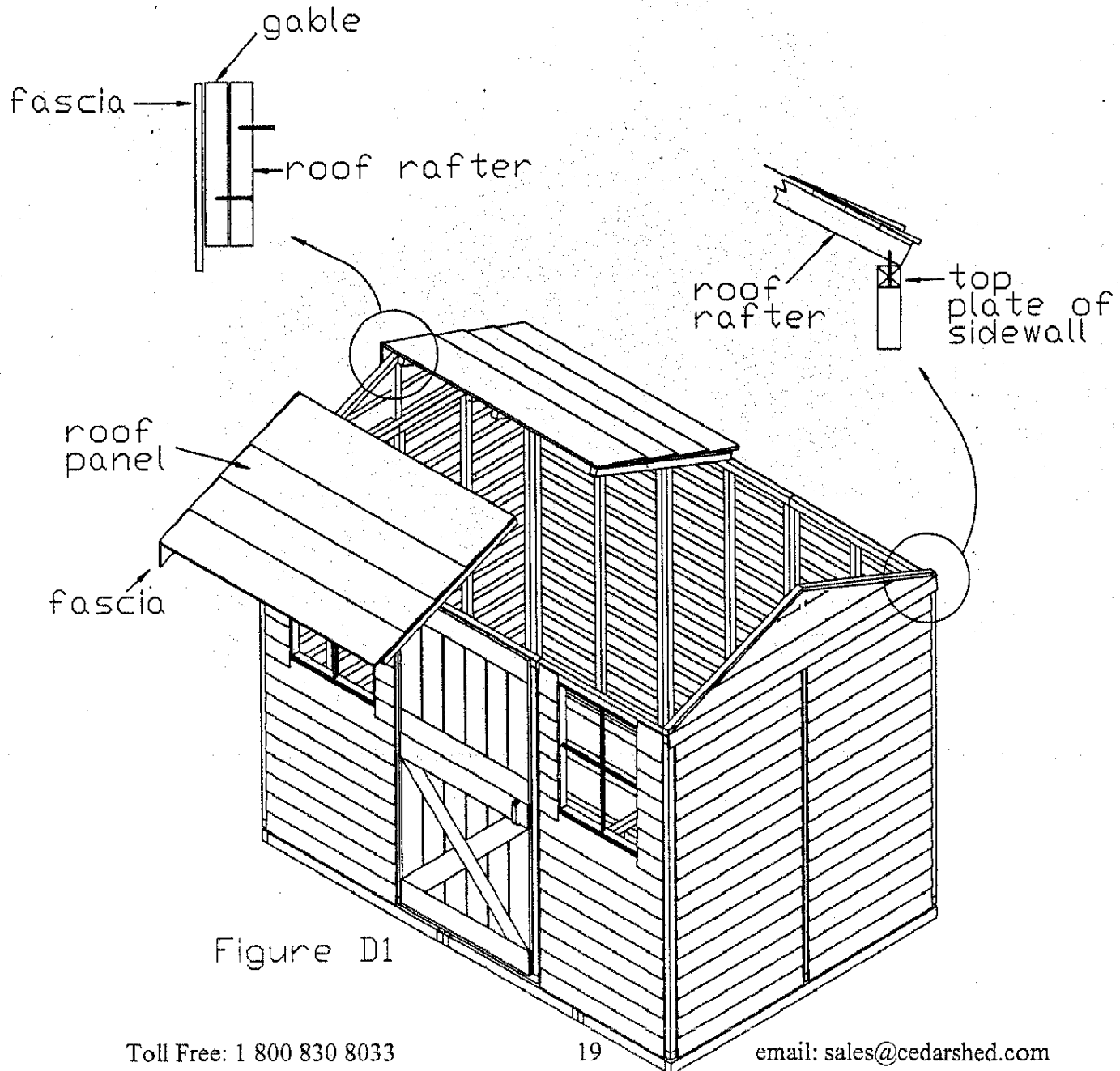
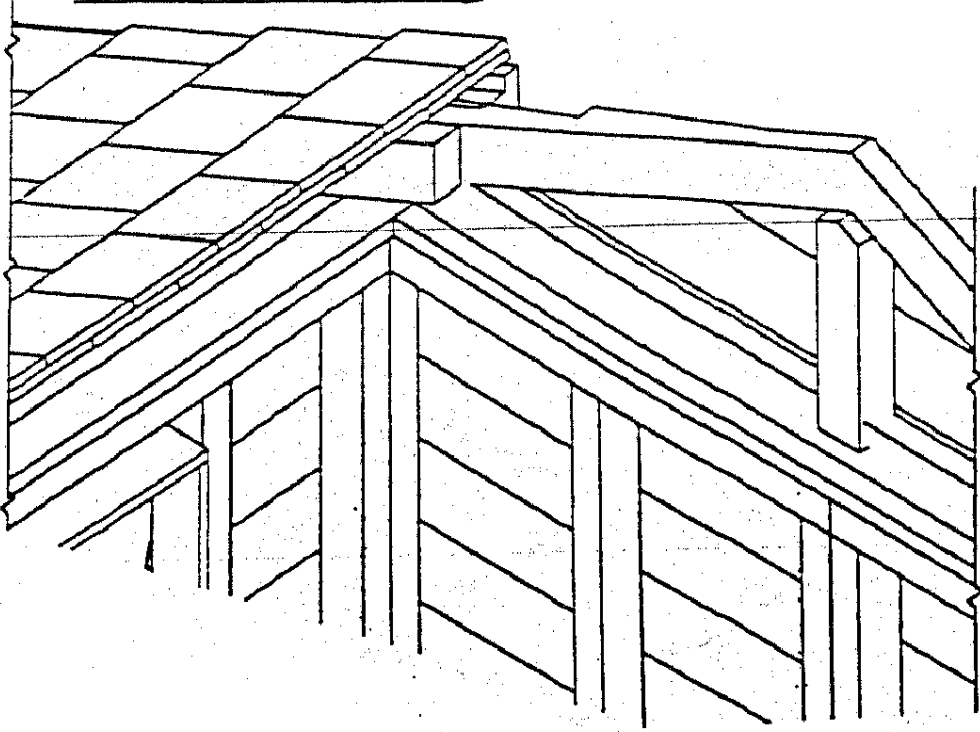
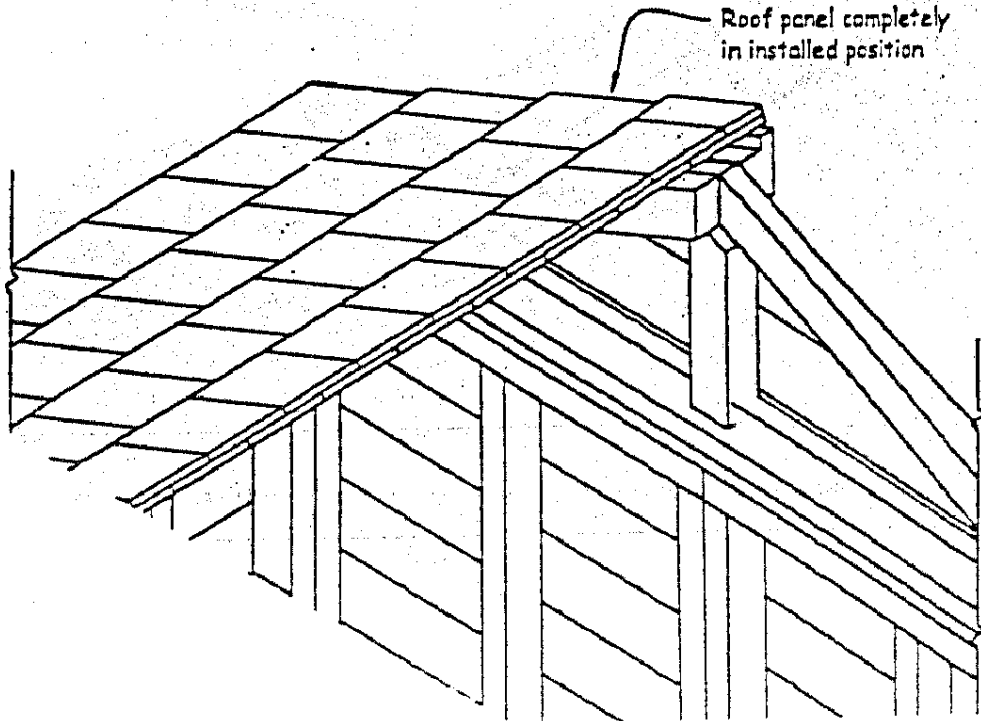


Figure D1

PUSH AND SLIDE ROOF PANEL UP



Roof panel completely
in installed position



2. The roof panel is in the correct position when the seat cut on the rafter sits on the top plate and the 2x3 end rafter is flush with the gable wall 2x3. Tack into place using 3" screws.

3. Repeat the same procedure with the third and fourth roof panels [see Figure D2]. Check the flush matching ends of the gable fascia boards, and seat cuts for proper fitting. The fascia boards should have a slight gap between them.

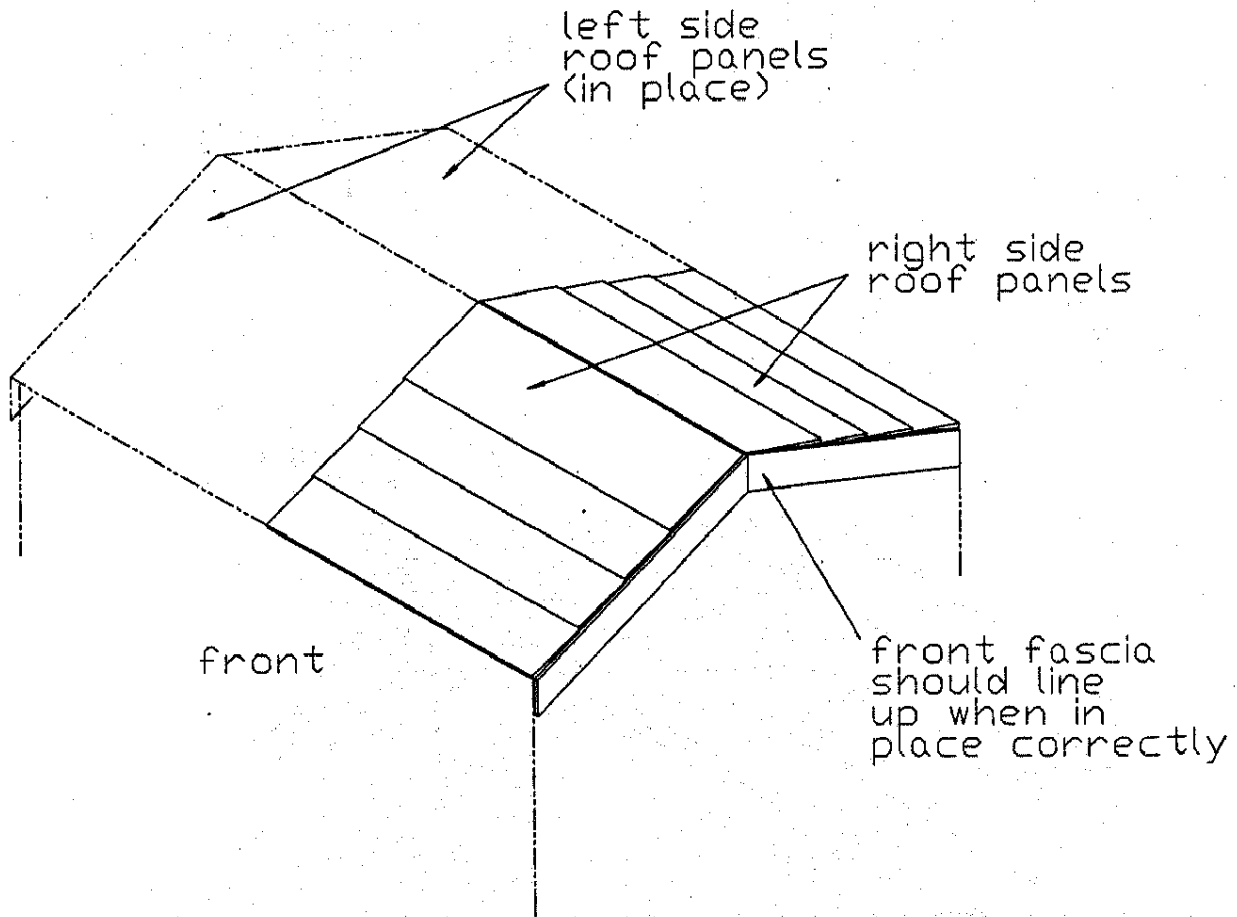


Figure D2

4. The roof rafters should be flush and the seat cut should sit on the top plate. When it is in the correct position, attach center rafter's together using 3" screws. From the inside of the Cabana, screw the rafters into the top wall plates using 3" screws.
5. Attach 4 gussets to the rafters using 3" screws to complete the roof. Make sure the tops of the rafters are aligned prior to completion [Figure D3].

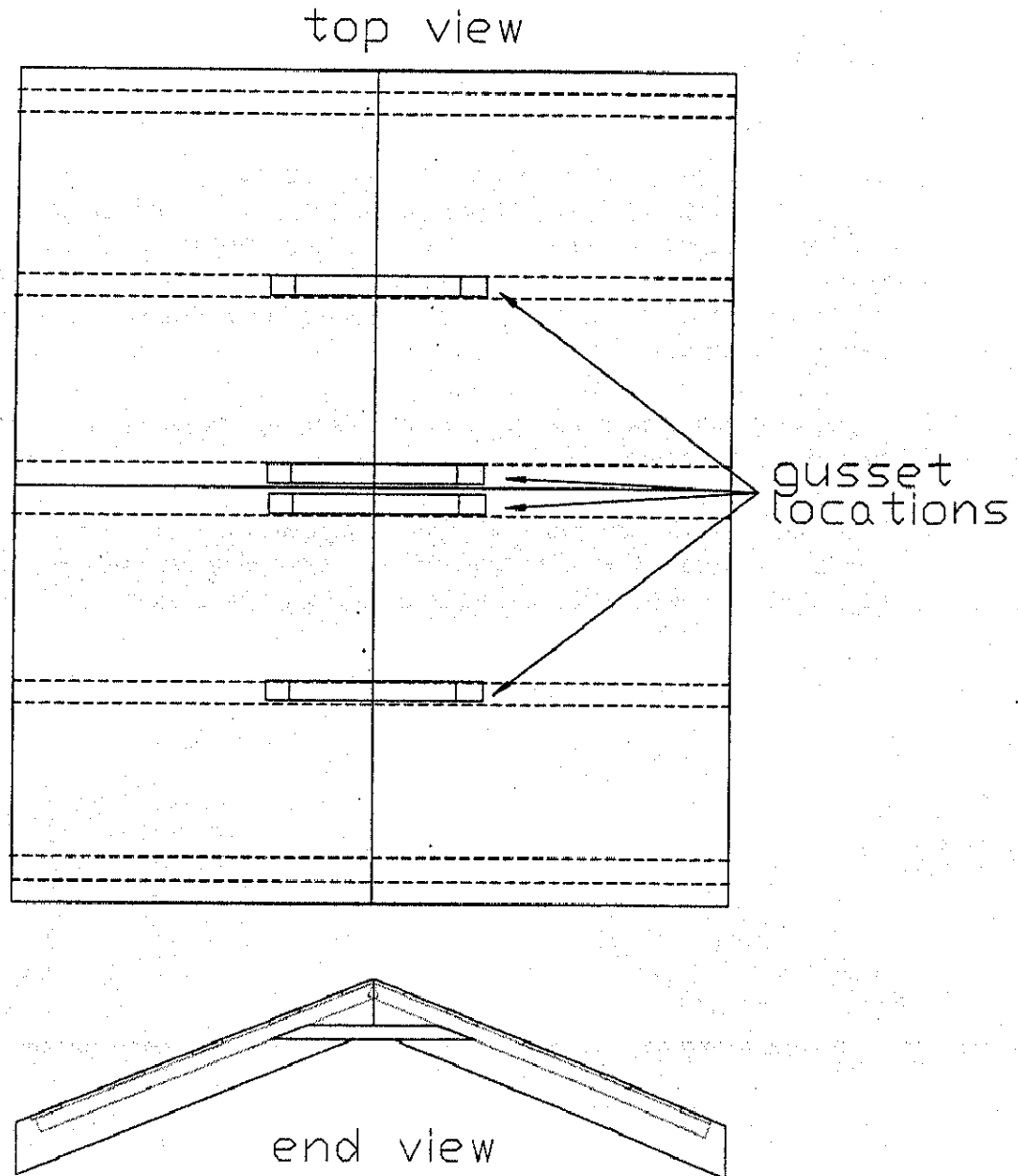


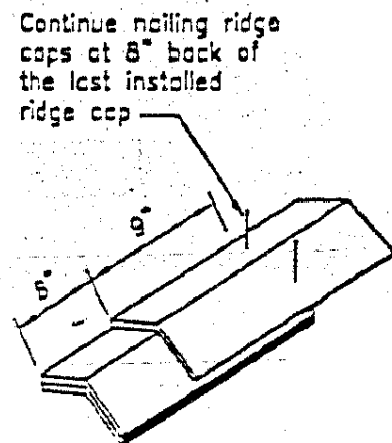
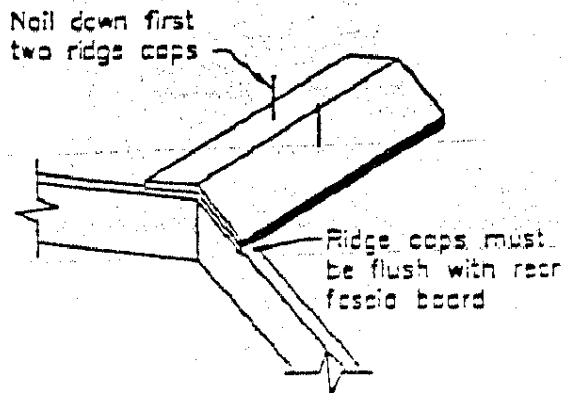
Figure D3

ROOFING FELT

- Before attaching the roof ridge caps, you need to first place roofing felt over the seam between the shingles of the roof panels. The roll of roofing felt is 1' wide. Cut the roofing felt lengthwise into three 4" wide strips. Place these strips end to end over the length of the seam between the roof panels, attaching it to the shingles with 1" nails.
- You are now ready to place the ridge caps on the roof of the Cabana.

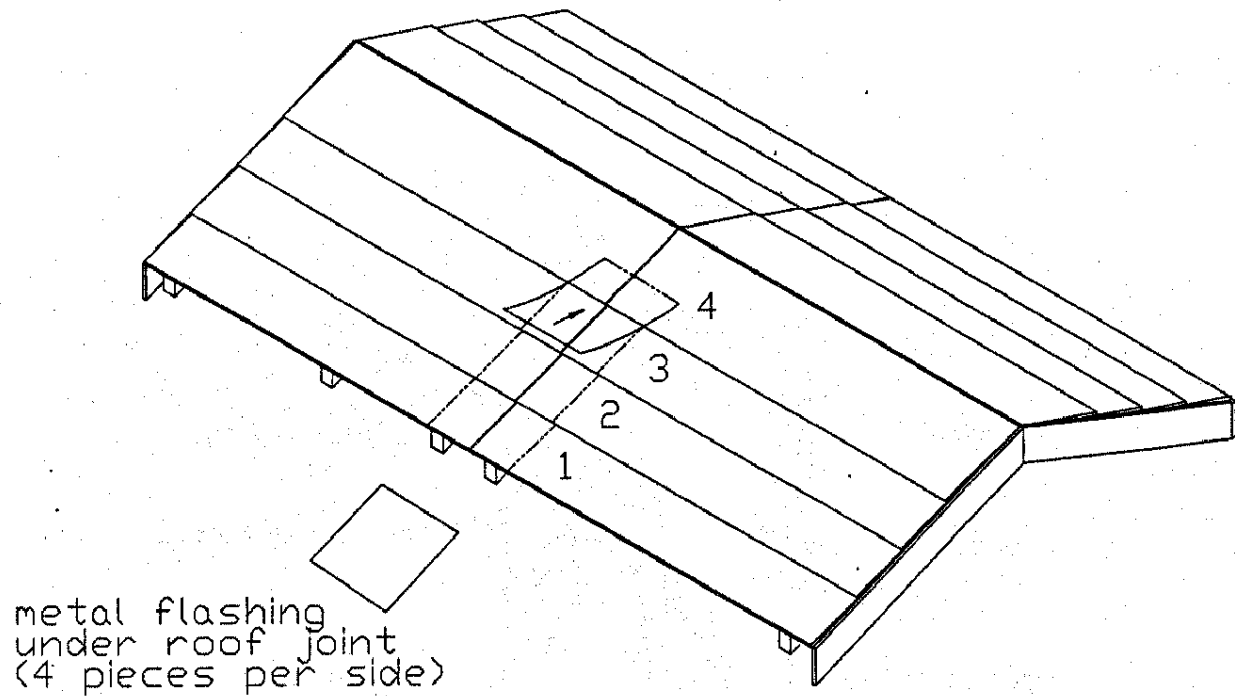
RIDGE CAP

- The ridge caps are placed over and cover the seam between the shingles of the roof panels. Ridge caps are installed from the rear of the shed proceeding towards the front of the shed. Using 2" roof nails, fasten the first ridge cap to the shingles, as it lies flush with the rear fascia. For the first ridge cap, place 4" nails down from the rear fascia, with one 2" nail on both the left and right sides of the ridge cap into the shingles.
- Place a second ridge cap on top of the first ridge cap and put nails at 9" from the rear edge of the second ridge cap.
- Continue to install subsequent ridge caps at 8" back of the front edge of the previous ridge cap. Complete the remainder of the ridge cap assembly over the roof seam. It may be necessary to cut the last ridge cap to size with a handsaw.



ROOF DETAILS

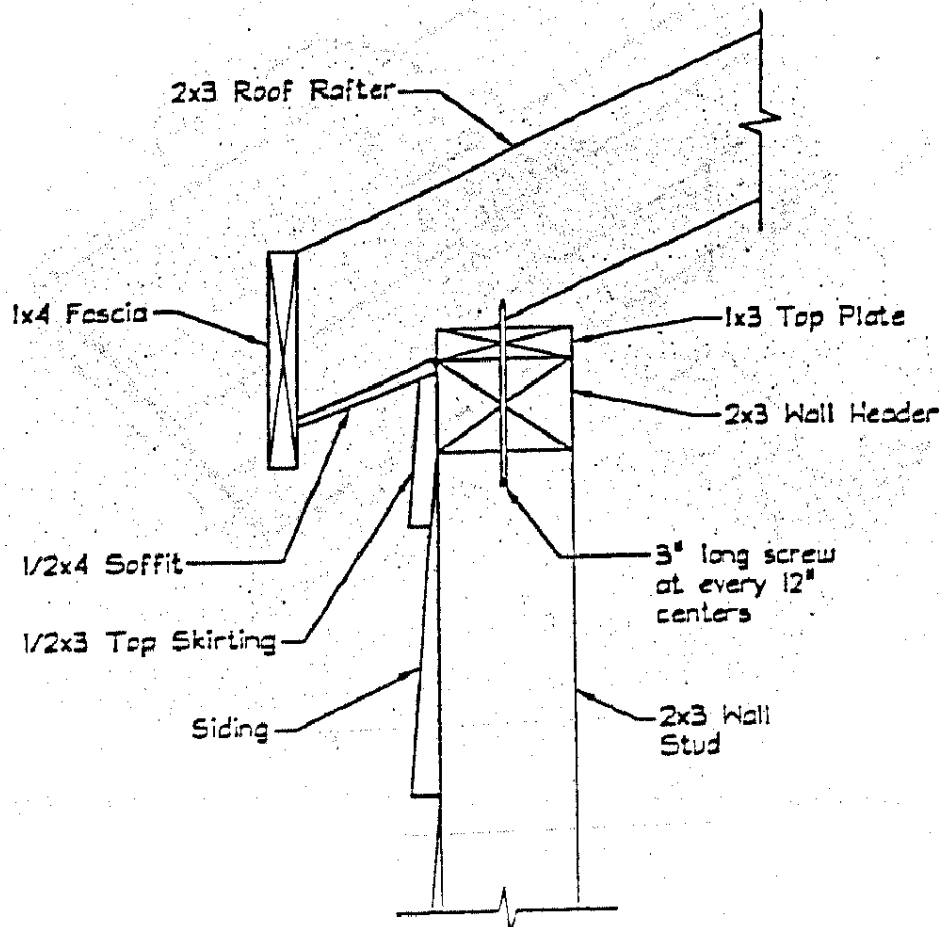
Starting at the bottom of the roof panel, slide one piece of flashing under the shingle until it is completely hidden. Make sure the flashing is centered over the roof seam. Continue until all four pieces per side have been installed. The last piece will reach the roof ridge as shown below.



The following steps briefly show how the fascia, top/bottom skirting, soffits, corner boards and trims are attached:

- 1st attach soffits.
- 2nd attach top skirting.
- 3rd attach corner boards and trims.
- 4th attach fascia.
- 5th attach bottom skirting.

(Detailed diagrams on following pages)



F. PROJECT COMPLETION

1. Attach soffits to the underside of the rafter using 1 3/4" finishing nails [Figure E2]. There are two per sidewall.

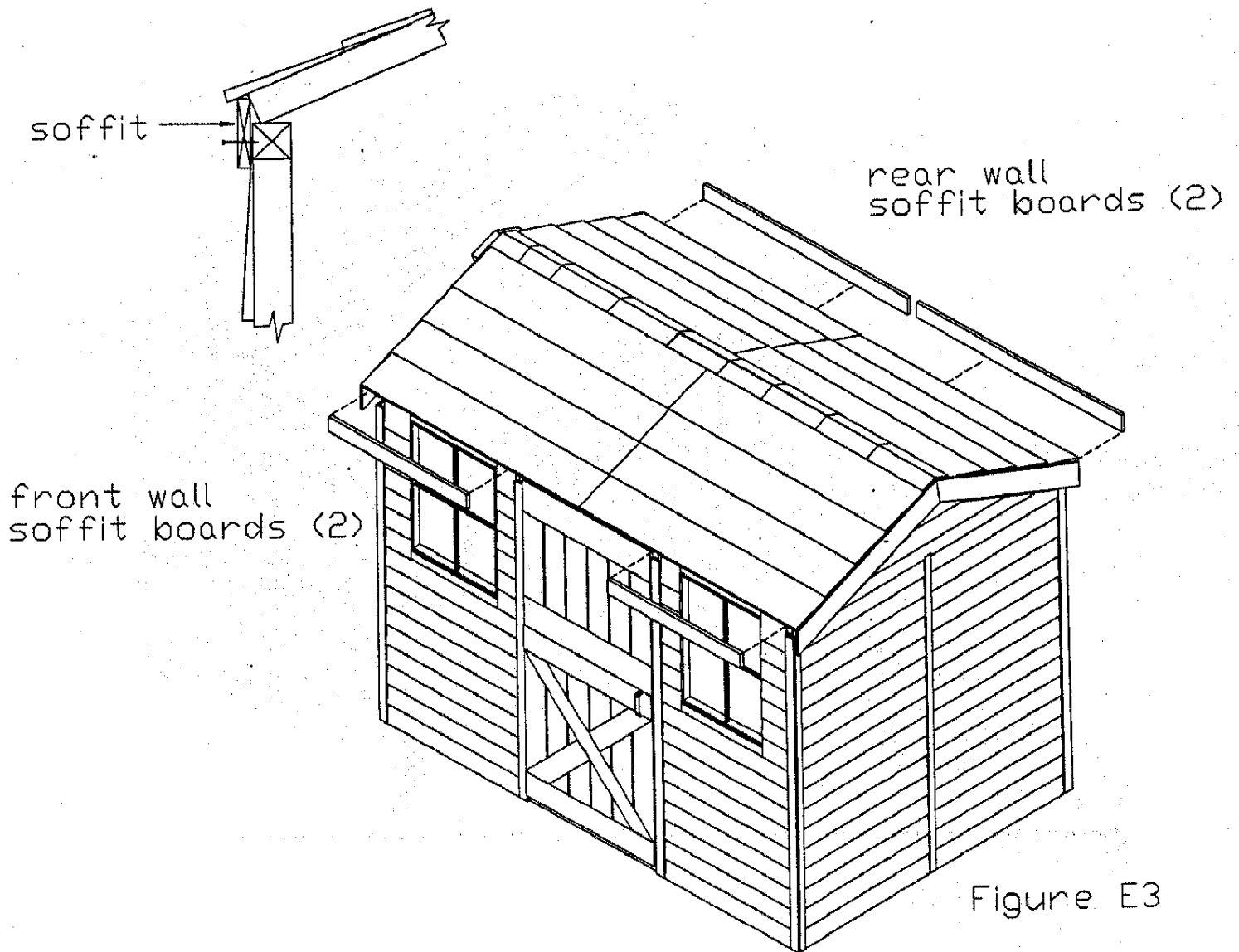
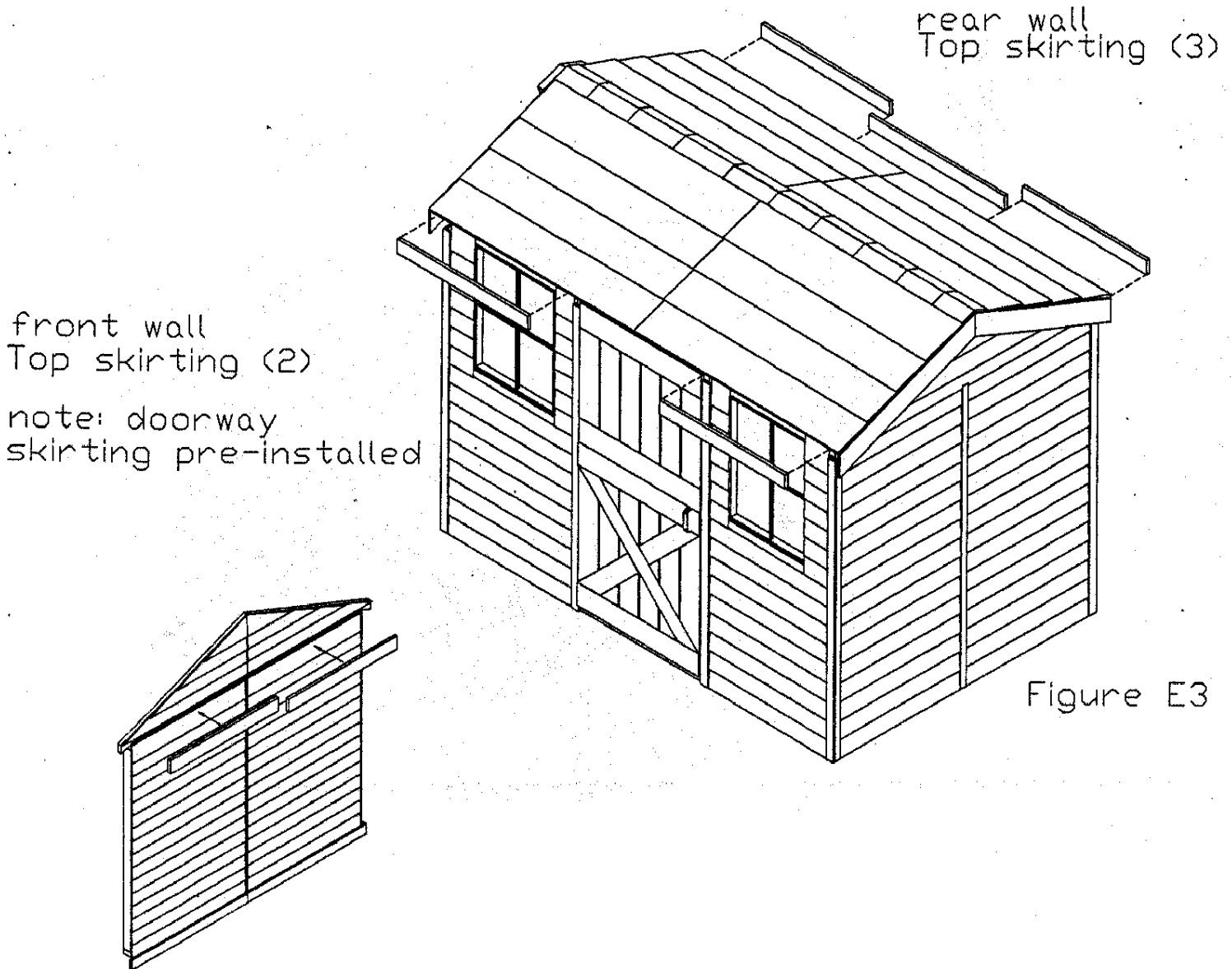


Figure E3

2. Using 1 3/4" finishing nails, complete top skirting assembly as shown in Figure E3. There should be 9 top skirting pieces. The (1/2 x 4 1/2" pieces are for the two side sections with only 2 walls each, and the 1/2 x 3" pieces are for the side sections with 3 walls in the back and 1 piece above each window in the front).



3. Attach all corner, center and gable wall trim using 1 3/4" finishing nails, as shown in Figure E2.

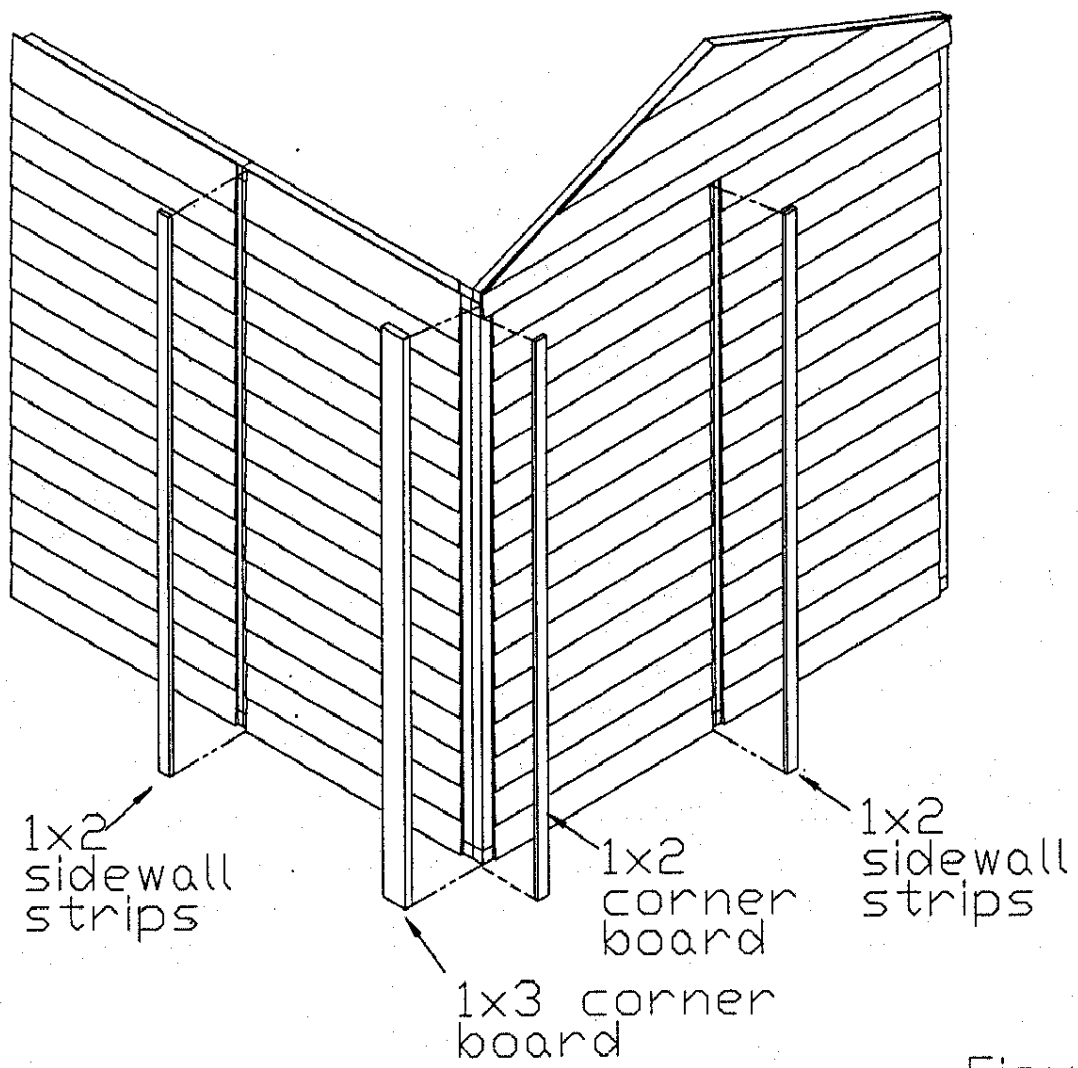


Figure E2

4. Attach the 4 fascia boards (2 per sidewall) using 1 3/4" finishing nails. Nail into the ends of the rafters [see Figure E5].

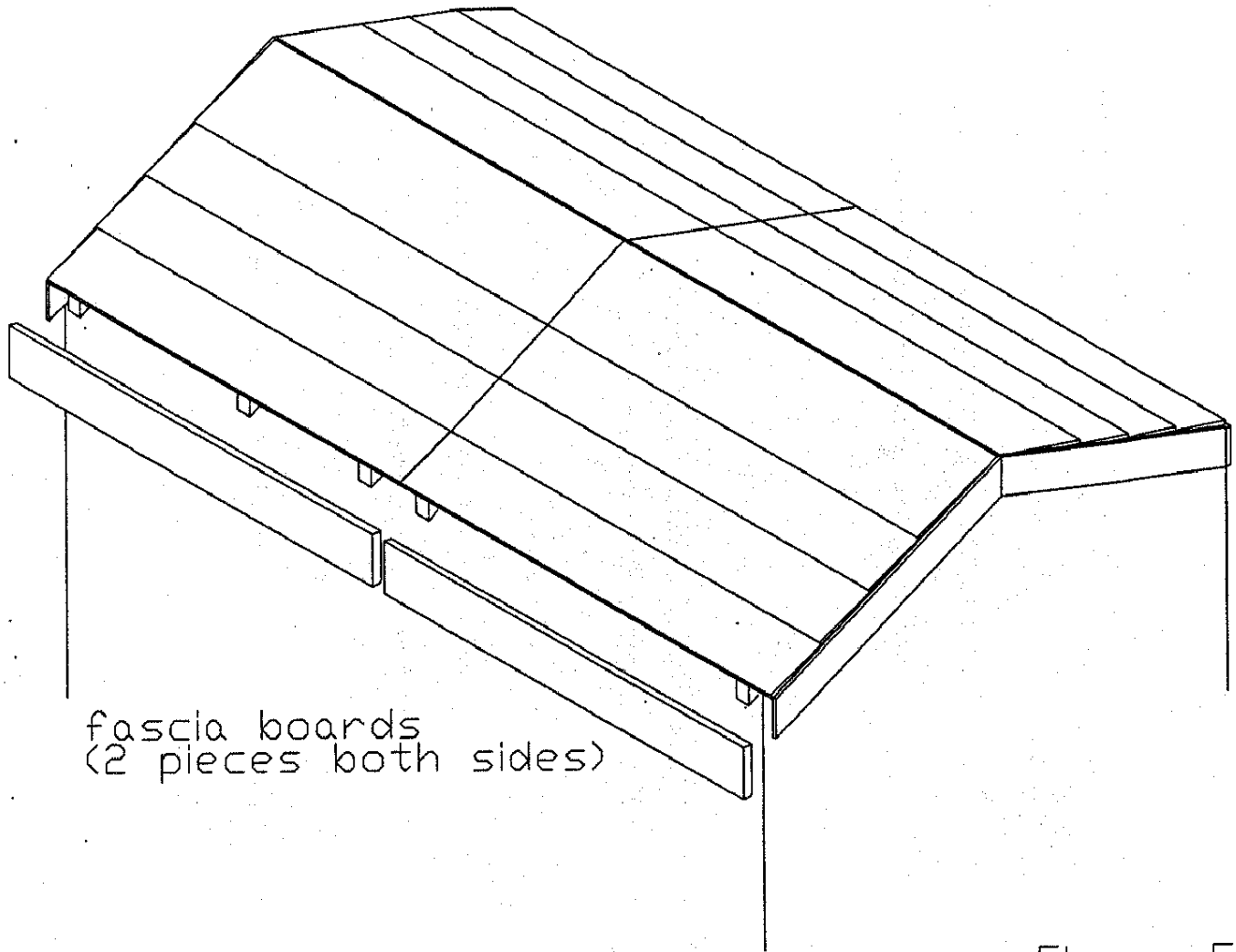
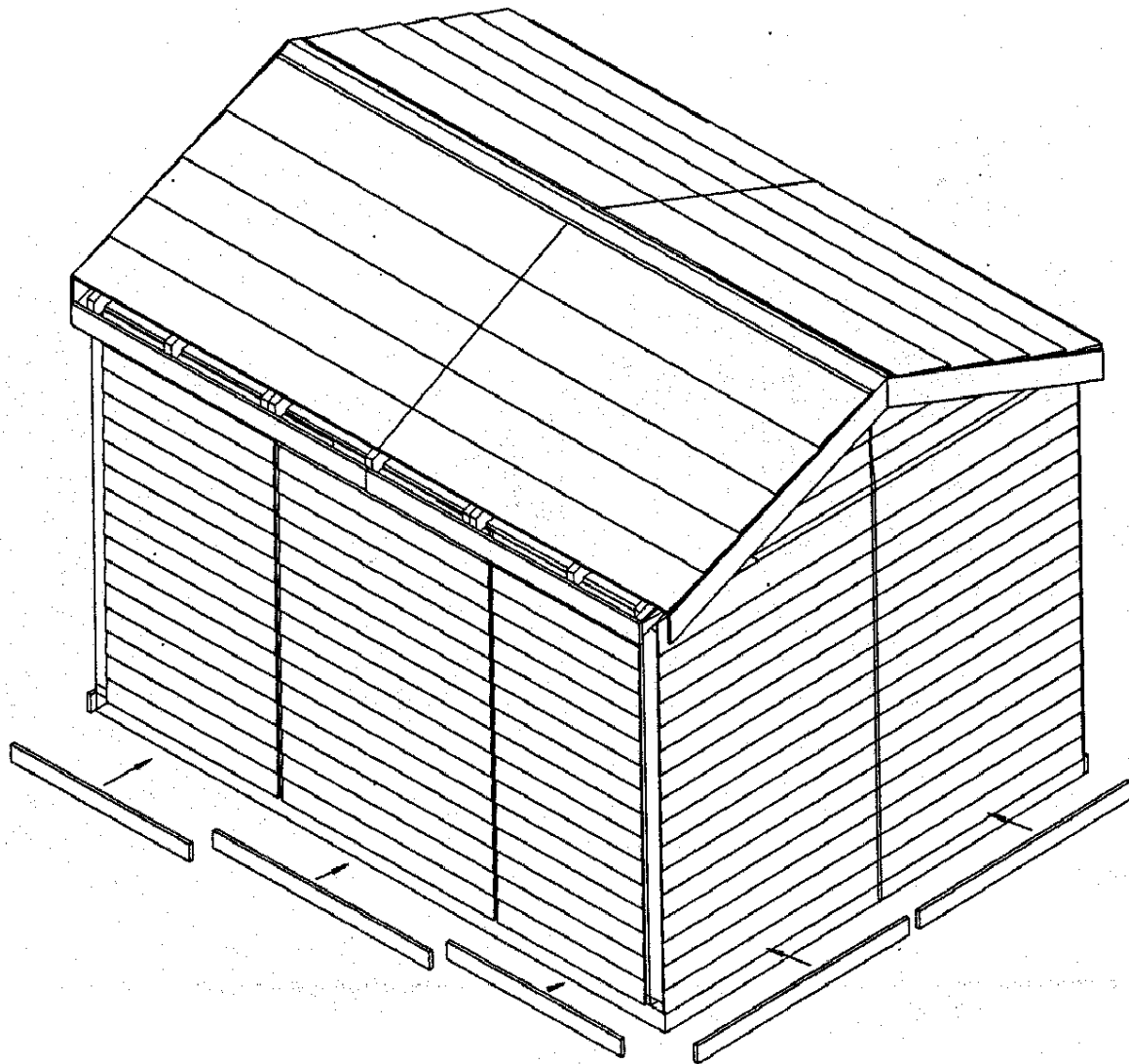
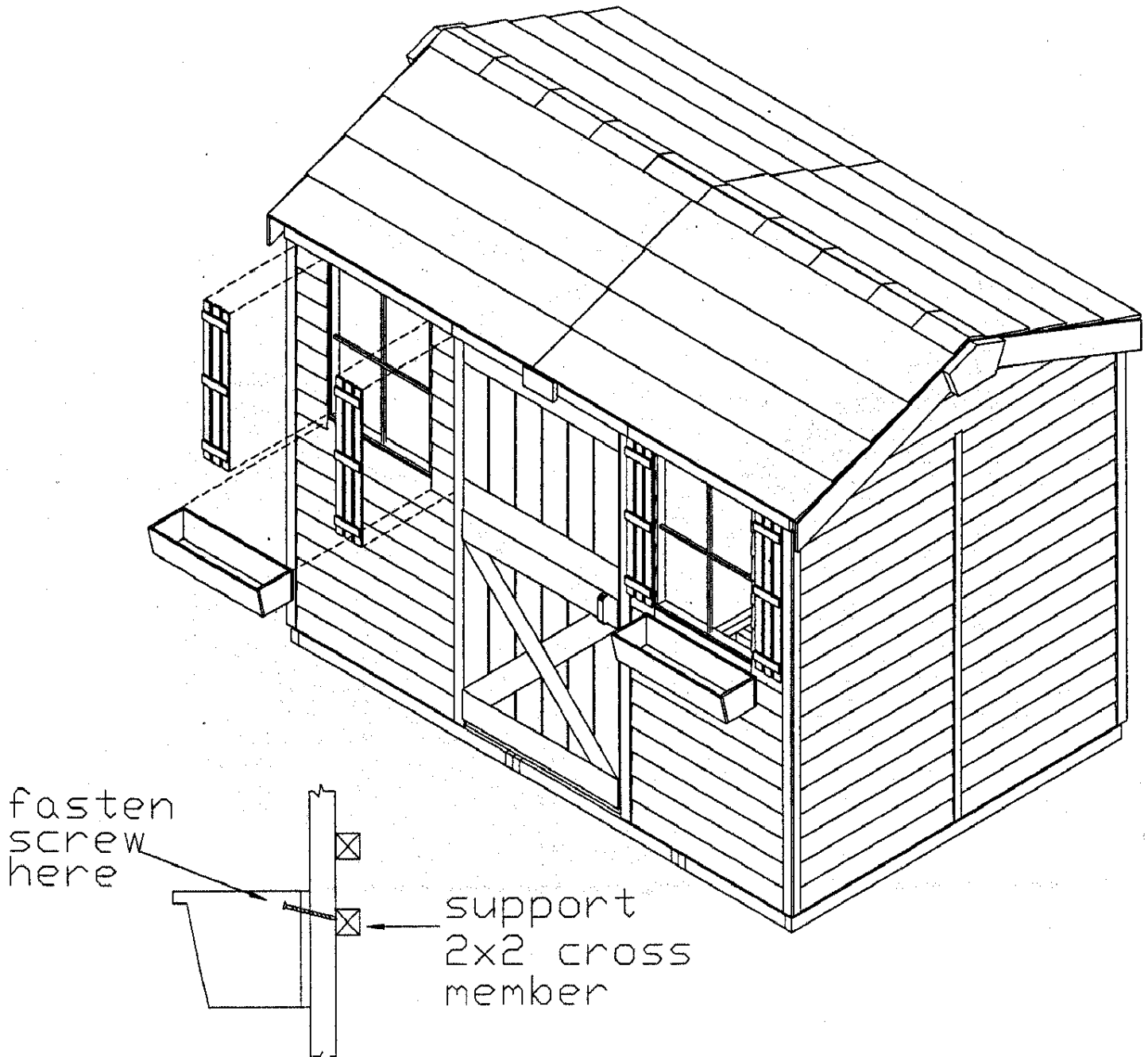


Figure E5

5. Complete the base of the Cabana with the floor bottom skirting. Use $1\frac{3}{4}$ " finishing nails to attach 10 pieces of bottom skirting. (There is one bottom skirting piece ($1/2 \times 3 - 31\frac{3}{8}$ "") which is attached to the bottom of the door. The rest of the pieces of bottom skirting are attached around your Cabana).



6. Attach the shutters with 1 ¼" finishing nails [Figure E6]. You may want to pre-drill the holes to avoid splitting the wood.
7. The planter boxes are fastened with 3" screws to the extra 2x3 support member behind the wall, located beneath each window.
8. Attach plaque with finishing nails. Pentagon shape plaques are attached one to center of left/right side, and the square plaque is attached above the door.



CONGRATUALATIONS

You have successfully completed the construction of your Cabana. Thank you for choosing a CEDARSHED product. We hope that your entire experience was a rewarding one and that you and your family will have years of enjoyment with our product.

As mentioned in the questionnaire (included inside the unit packaging along with the checklist of parts), by completing our questionnaire and mailing a picture of your completed Cedarshed product, we will send you a personalized plaque free of charge that you can mount on your structure (max. 36 letters). Don't forget to enter our Best Picture Contest. Also see Questionnaire for details.

Please refer to the questionnaire or call Cedarshed if you require additional information.

TOLL FREE CUSTOMER SUPPORT: 1 800 830 8033

E-MAIL: sales@cedarshed.com

Visit our Website: www.cedarshed.com

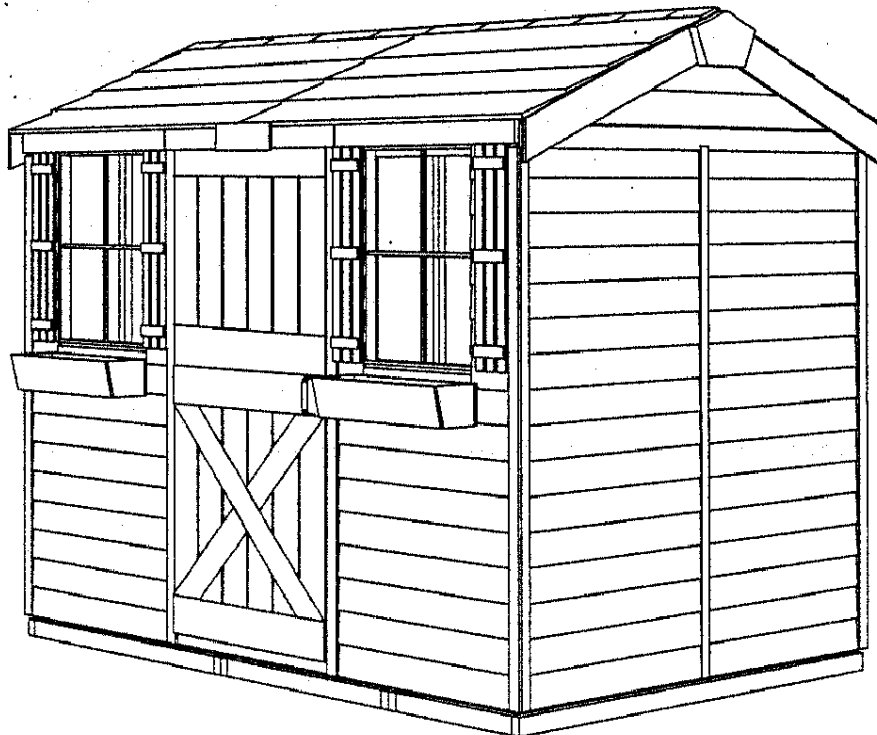
Mailing Address:

In Canada:

CEDARSHED INDUSTRIES
9770 - 199A Street
Langley, B.C. V1M 2X7
Canada

In USA:

CEDARSHED INDUSTRIES
P.O. Box 2189
Blaine, WA 98231
USA



WHO WE ARE GAZEBOS GARDEN SHEDS GARDEN FURNISHINGS TESTIMONIALS LINKS HOW TO PURCHASE DEALER'S CORNER CONSUMER'S CORNER SPECIALS

©2004 Cedarshed Industries • Sun Map

Consumer's Corner



[Return to main menu](#)

Specifications for Garden Sheds and Gazebos

GARDEN SHEDS									
Item	Inside Height	Floor Dimensions		Outside Dimensions (includes roof overhang)					
		Width	Length	Width	Length	Height	Door Opening	Weight	Installation Times*
8x3 Yardsaver	72"(B) 65"(F)	90"	36"	93"	43"	80"(B) 73"(F)	43"x66"	520 lbs	2 Hrs
6x6 Gardener	89 1/2"	69"	74 1/8"	82"	85 1/2"	100"	30"x71"	625 lbs	2 Hrs
6x9 Gardener's Delight	87"	72"	110"	82"	118"	95"	35"x69"	825 lbs	4 Hrs
9x6 Cabana	89 1/2"	108 9/16"	69"	120"	82"	100"	30"x71"	1050 lbs	4 Hrs
8x10 Rancher	94"	93"	120 5/8"	105 1/4"	132"	105"	50 1/2"x72 5/8"	1200 lbs	5 Hrs
12x8 Haida	94"	144 5/8"	93"	148"	105 1/4"	105"	38 1/2"x71"	1500 lbs	5 Hrs
8x8 Sunhouse	92"	93"	93"	95 1/2"	96"	102"	43 1/2"x69"	1000 lbs	5 Hrs
8x12 Sunhouse	92"	93"	139 1/2"	95 1/2"	142 1/2"	102"	43 1/2"x69"	1400 lbs	6 Hrs
12x12 Sunhouse	92"	136 5/16"	139 1/2"	139 "	142 1/2"	102"	43 1/2"x69"	1800 lbs	8 Hrs

GAZEBOS									
Item	Inside Height	Floor Dimensions			Outside Dimension (includes roof overhang)				
		Diameter	Sidewall	Rim Joist**	Diameter	Sidewall	Height	Door Opening	Weight
12' Octagon All Season	118"	156 1/2"	145"	59 5/8"	180"	162"	128"	43"x73"	2500 lbs
10' Hexagon All Season	114"	136 1/4"	118"	68"	154"	133"	124"	43"x73"	2200 lbs
10'x13' Teahouse	118"	156"	111"	55 7/16"	167"	127"	128"	34"x73"	2200 lbs
14' Octagon	125"	181"	168"	68 15/16"	205"	187"	135"	64"x73"	2400 lbs
12' Octagon	118"	156 1/2"	145"	59 5/8"	178"	163"	128"	55"x73"	2000 lbs
10' Hexagon	114"	136 1/4"	118"	68"	154"	133"	124"	62 1/2"	1700 lbs
8' Hexagon	108"	111 1/4"	96"	55 7/16"	136"	116"	118"	50"x73"	1500 lbs
6' Hexagon Gabriola	92"	85 1/4"	75"	39 3/8"	100"	91"	102"	37"x73"	850 lbs
10'x10' Square Gazebo	114"	127 1/8"	127 1/8"	N/A	147"	147"	124"	34"x73"	1700 lbs

* Precut Gazebos take 2 people 2 to 4 days to complete, panelized gazebos take 2 people 1 day to complete.