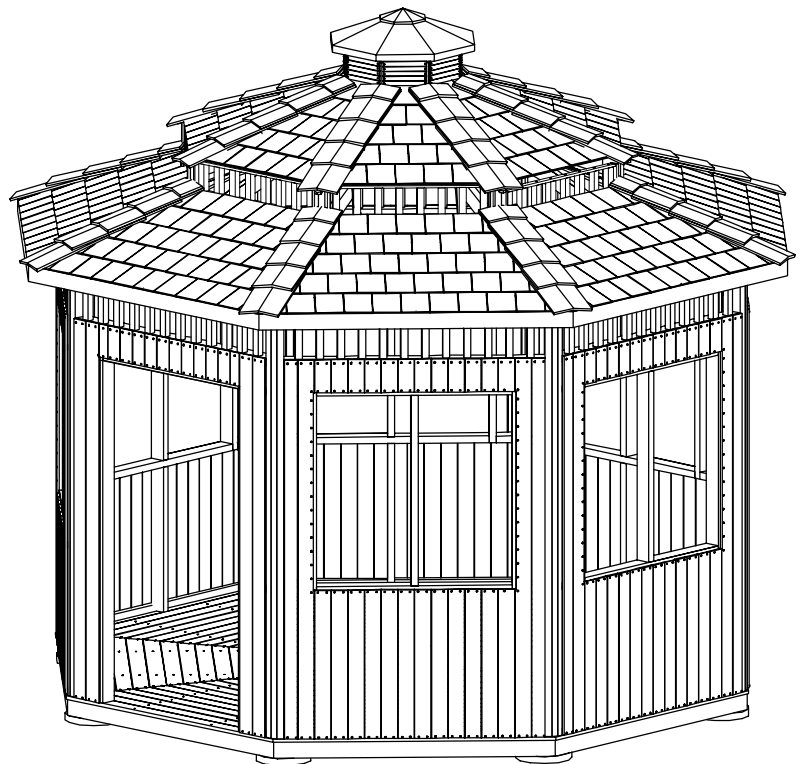


10' Hexagon



12' Octagon

# **All Season Gazebos**

## **INSTRUCTIONAL MANUAL**

---

---

Cedarshed Industries (1992) Inc.  
9770 - 199A Street  
Langley, BC V1M 2X7  
Canada

Jan 26, 2004 Rev. A



# THE ALL SEASON GAZEBO

## ASSEMBLY INSTRUCTIONS

The following are the main steps in the assembly sequence:

1. JOIST SYSTEM ASSEMBLY
2. FLOOR ASSEMBLY
3. FLOOR DECKING INSTALLATION
4. WALL ASSEMBLY
5. RAFTERS AND OPTIONAL TWO TIER ROOF ASSEMBLY
6. ROOF SHINGLES, CUPOLA AND RIDGE CAPS INSTALLATION

Two people are required although a third person may be helpful particularly when working on the roof and floor structure. Prior to assembling the All Season Gazebo, carefully read all instructions.

### A FEW WORDS ABOUT THE CARE AND COSMETICS OF YOUR PANELIZED CEDAR ALL SEASON GAZEBO

Your Cedarshed All Season Gazebo is made of Western Red Cedar, a beautiful and durable outdoor wood that will enhance your leisure space and enhance your property and provide years of enjoyable use.

Natural, unfinished Western Red Cedar, when exposed to the elements, will weather to a beautiful silvery gray. If you prefer to maintain the natural tones of Western Red Cedar, please ask your Authorized Cedarshed Dealer to recommend a quality stain, which is applied after assembly.

You may also notice occasional coloured chalk or crayon markings on parts of the wood. These markings can be removed with damp cloth or very fine sandpaper.

When we package your All Season Gazebo for shipping, it is wrapped in an environmentally friendly paper product, and held in place by staples. Be sure that all of the staples are removed – a pair of pliers may be necessary.

#### Note:

Assembly of the All Season Gazebo will require the use of power tools. Please take precautions at all times.

The customer agrees to hold Cedarshed Industries (1992) Inc. (Cedarshed) and any of our Authorized Dealers free of liability due to improper installation, maintenance and repair of any Cedarshed products.

Obtaining necessary municipal, county, or state permits is the sole responsibility of the purchaser.

Please see our website at [www.cedarshed.com](http://www.cedarshed.com) for additional safety points and other considerations to promote safe and enjoyable usage of your new All Season Gazebo for many years to come.

# PARTS LIST:

To confirm you have received all parts, sort pieces according to list below. Call or e-mail us immediately if you are missing any parts and we will courier the missing part(s) immediately, free of charge.

Toll Free Customer Support Line:  
1-800-830-8033.

E-mail:  
Sales@cedarshed.com

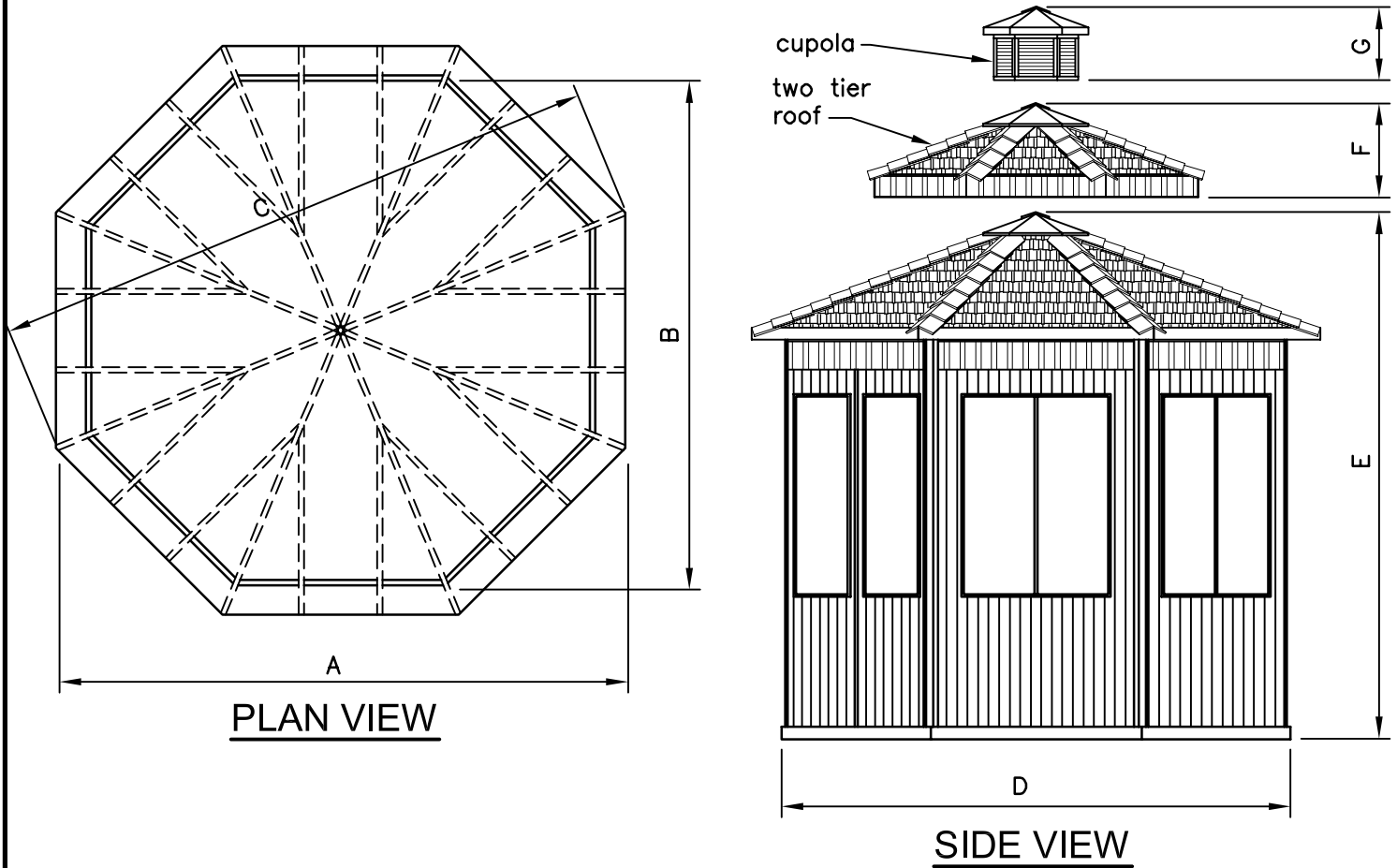
If you plan on assembling a Cedarshed product over the course of several days, please cover any pieces to keep them sheltered from the elements.

Not included in kit:  
- Patio slabs for a level and secure foundation  
- Deck stain  
- Foundation anchorage

Part Name	Hexagon 10'	Octagon 12'
Rim Joist	6	8
Long Floor Joist	6	8
Short Floor Joist	12	16
Pre-assembled deck Panels	12	16
Centre Deck Piece	1	1
Floor Core Block	1	1
Long Rafter	6	8
Short Rafter	12	16
Ridge Caps	Bundles	Bundles
Roof Core Block	1	1
Fascia	6	8
Sidewall Panel Sections	3	7
Door Wall Section	1	1
2 Tier Face Rail Support Posts	Left 6	Left 8
	Right 6	Right 8
2 Tier Core Block	1	1
Pre-Assembled 2-Tier Rafters	6	8
2 Tier Face Rail Baluster Sets	6	8
Pre-Assembled Small Roof Panels (2 Tier option only)	6 Upper	8 Upper
	6 Lower	8 Lower
Small Cupola Cap	1	1
Cupola Roof	1	1
Cupola Side Panels	6	8
Bench Seat	-	-
Bench Legs	-	-
Short Soffits	12	16
Long Soffits	6	8
Soffit Trim	6	8
Corner Trim Boards	Left 6	Left 8
	Right 6	Right 8
3" Screws		
2" Screws		
2" Box Nail for Ridge		
1 3/4" Finishing Nails		
2 -Door Handles Locking Mech. Connecting Shaft Finishing Screws		

# ALL SEASON OCTAGON GAZEBO SPECIFICATIONS

All Gazebos are constructed of 100% Western Red Cedar.  
 All framing components are nominal 2"x4" in size.  
 Wall posts consist of 2 - 2"x4" fastened together.

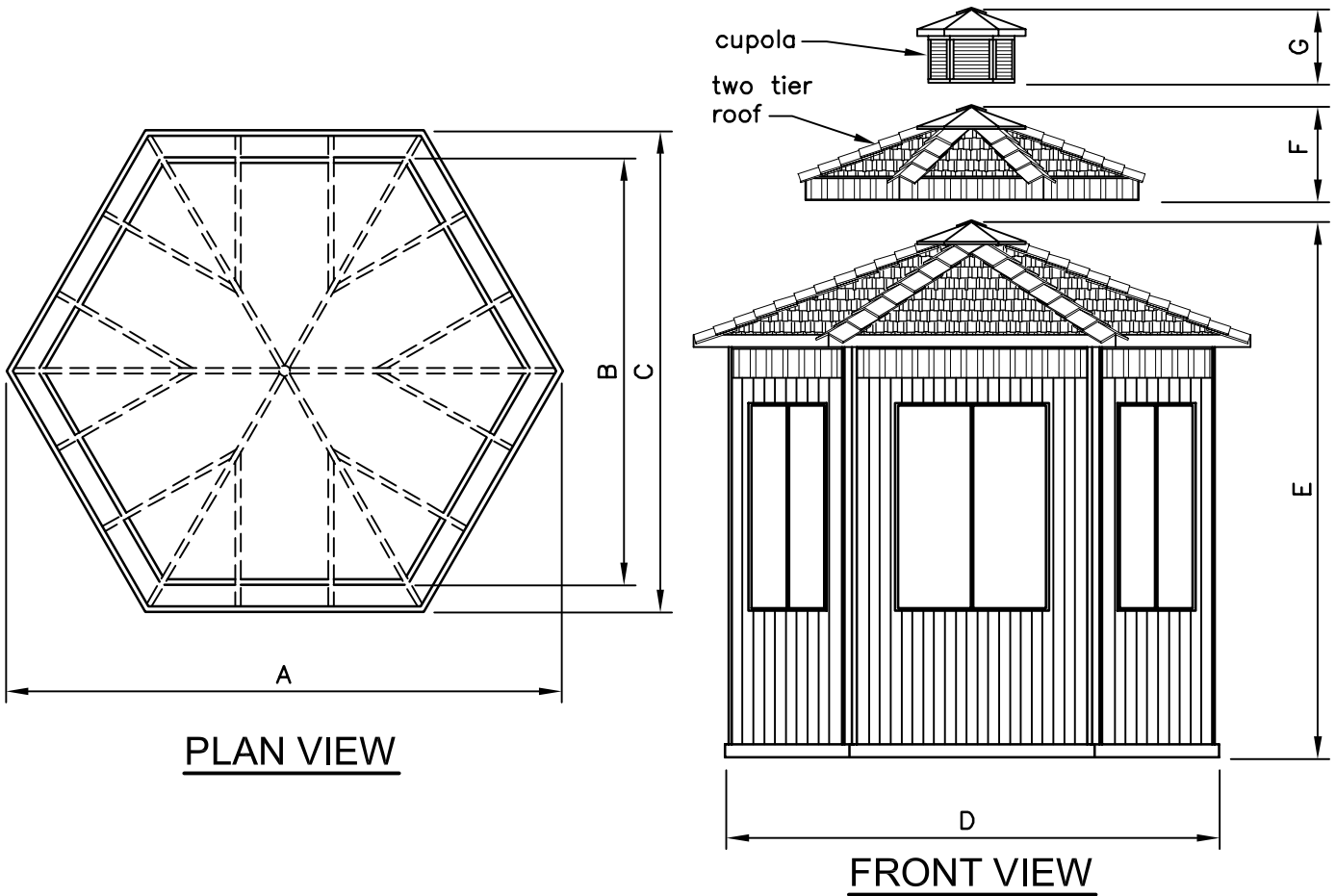


Measurements For All Season Octagon Gazebo	
Dimensions (Imperial)	
Size	12'
Inside Area	120 Sq. Ft.
A	13'-6"
B	12'-1"
C	15'-0"
D	13'-0"
E	10'-8"
F	1'-0"
G	1'-0"
Window Opening	3'-5 3/4"x3'-5 3/4"
Door	3'-3 1/2"x6'-3"
Weight	2200 lbs
Panelized Package Size	72"Wx88"Lx80"H

Note - Two tier roof and Cupola are optional

# ALL SEASON HEXAGON GAZEBO SPECIFICATIONS

All Gazebos are constructed of 100% Western Red Cedar.  
 All framing components are nominal 2"x4" in size.  
 Wall posts consist of 2 - 2"x4" fastened together.



Measurements For All Season Hexagon Gazebo	
Dimensions (Imperial)	
Size	10'
Area	85 Sq. Ft.
A	12'-10"
B	9'-10"
C	11'-1"
D	11'-4"
E	10'-4"
F	10"
G	1'-0"
Window Opening	3'-5 3/4"x3'-5 3/4"
Door Opening	3'-3 1/2"x6'-3"
Weight	2200 lbs
Panelized Package Size	72"Wx87"Lx75"H

Note - Two tier roof and Cupola are optional

## PRE-ASSEMBLED COMPONENTS

● The All Season Gazebos are shipped from the factory in panlized kit to assist with the ease of construction.

## TOOLS REQUIRED

Hammer

Electric power drill(s) or cordless drill(s)  
(with extra batteries) with appropriate  
screw bits

3' Carpenter's level

Measuring tape

Garden shovel (for site work)

Skill saw

Pencil

8' ft. step ladder

Landscaping tools

8 lbs (3.5 Kg): 1½" galvanized casing nails

5 lbs (2 Kg): 2½" galvanized casing nails

3 lbs (1.3 Kg): 3½" galvanized casing nails

12 lbs (5.0 Kg): 1" roofing nails

15-2 inch concrete blocks

**Note:**

Assembly of the All Season Gazebo will require the use of power tools. Please consider safety precautions at all times.

# 1. Joist System Assembly

● It is recommended that the construction of the All Season Gazebos be done on leveled foundation and in its final sitting location. It is extremely important to level the floor assembly; otherwise you will encounter difficulties later when trying to install the wall posts and roof systems if the floor is not properly leveled.

● Place the 8 rim joists for the 12' Octagon and 6 rim joists for the 10' Hexagon as shown in Figure S1. Fasten them together using 3–3" long screws per joint.

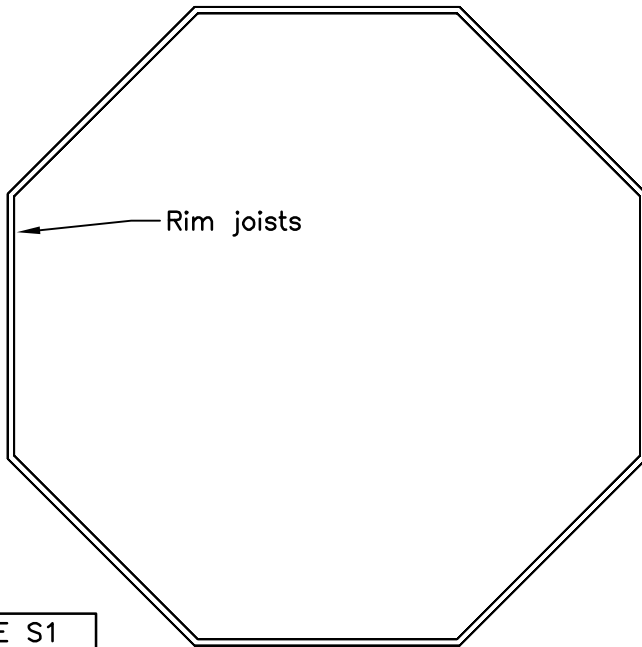


FIGURE S1

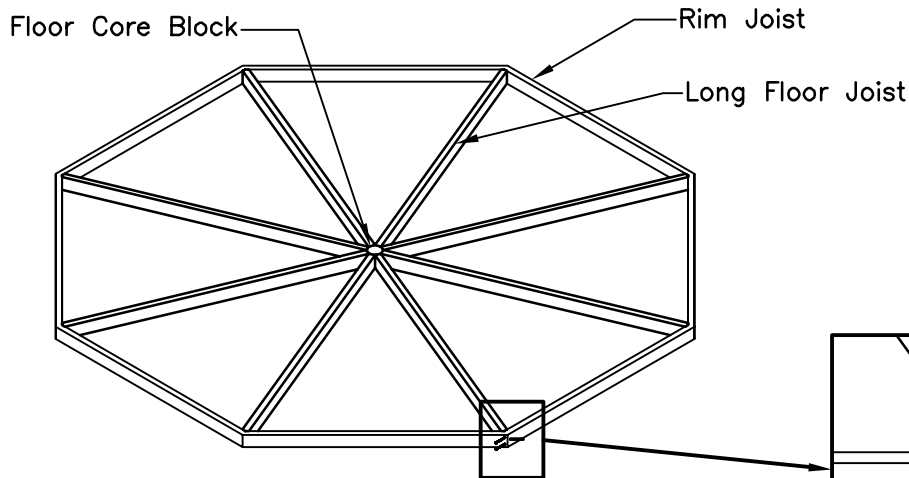
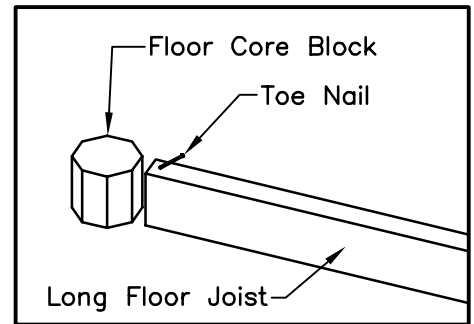
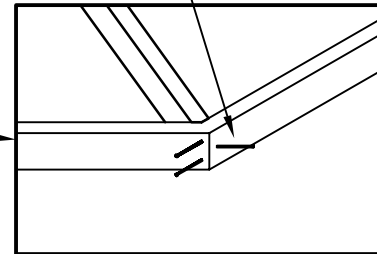


FIGURE S2

Using 3–3" long screws secure the rim joists together at each corner



- Screw the all the short joists into place as per Figure S3. Each short floor joist should be at the right angles to the adjoining rim joists.

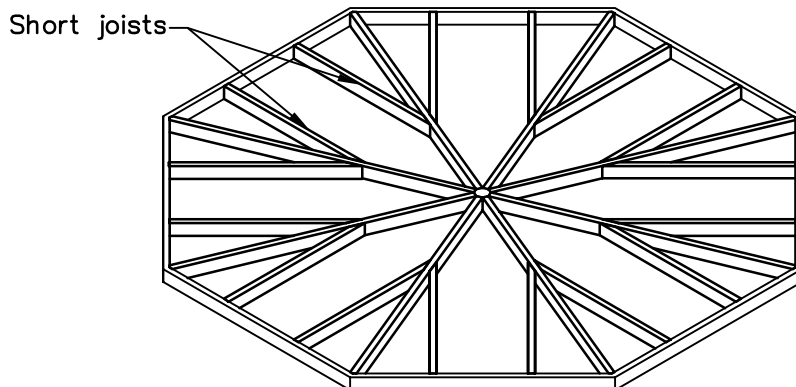


FIGURE S3

## 2. Floor Assembly

- Take the 17 two inch thick concrete blocks and place them under 17 foundation bearing points as outlined in Figure S4.
- Take small pieces of shims and place them under the bearing points to help level the floor assembly. To make this exercise a bit simpler, it is recommended that the outside bearing points be leveled first.
- Place concrete patio slabs as shown in Figure S4.

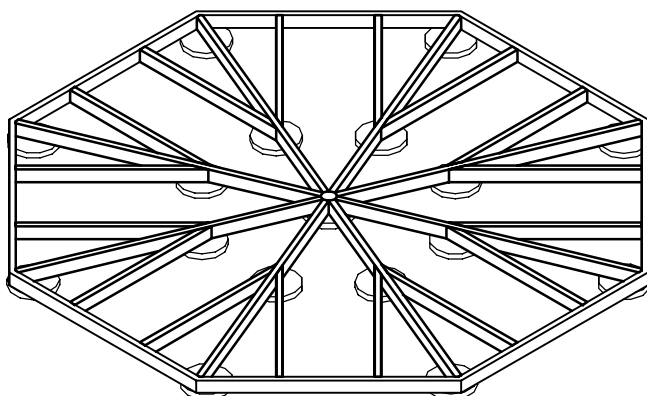


FIGURE S4

- Place the completed floor assembly onto slabs so that patio slabs do not extend too far beyond the edge of the Gazebo. Visit our website at [WWW.CEDARSHED.COM](http://WWW.CEDARSHED.COM) for details on the type of foundation you may wish to use.

### 3. Floor Decking Installation

- The decking pieces will overhang the rim joist system by  $\frac{1}{2}$  inch on all four sides. See Detail 1.

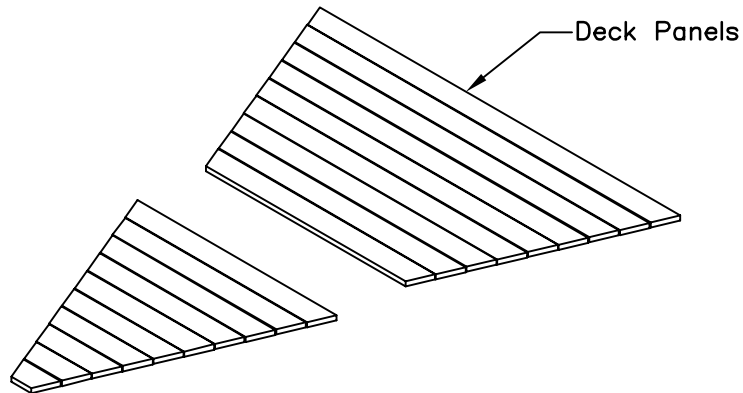


FIGURE S5

- Secure the Deck to the Joists by placing one 3" Screw at each end of each piece (going into the joists). Finish all remaining 5 Deck Panels in the same fashion.
- Complete the Decking by securing the Centre Deck piece using three 3" screws.

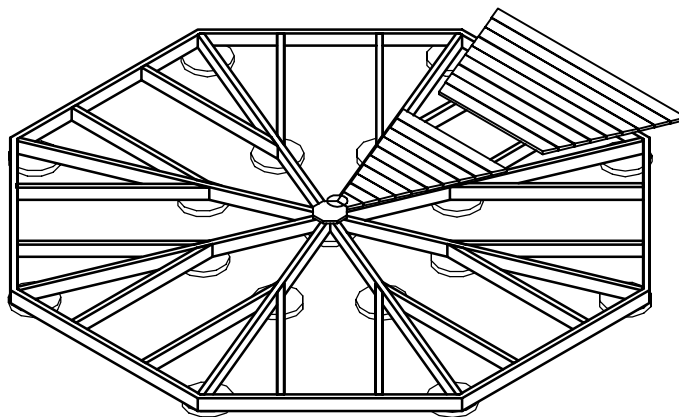


FIGURE S6

- Continue Installing the next Deck Panel until entire floor assembly is complete.

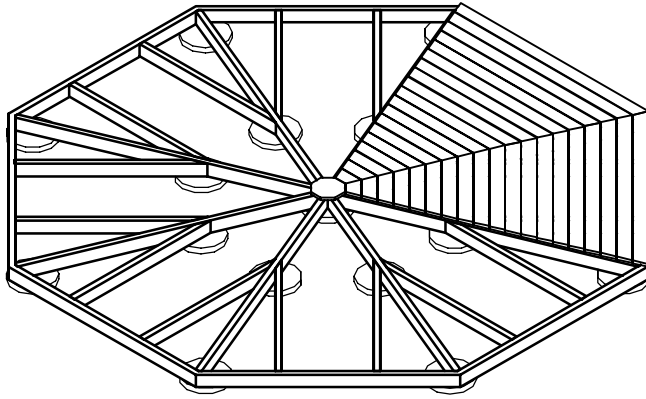


FIGURE S7

- Figure S8 Illustrates finished Floor Decking.

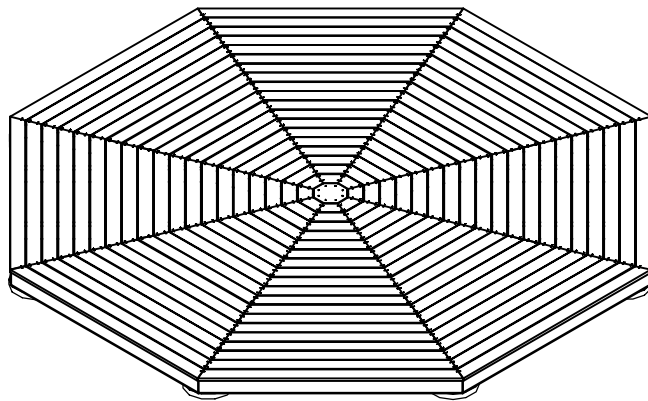


FIGURE S8

## 4. Wall Assembly

- Figure S9 illustrates the completed wall panels that are ready for erection. For Octagon; there are 7 wall panel sections and one door frame panel with door pre-hung on it. For the Hexagon; there are 7 wall panel sections and one door frame panel with door pre-hung on it. See the following pages on how to assemble the wall panels together.

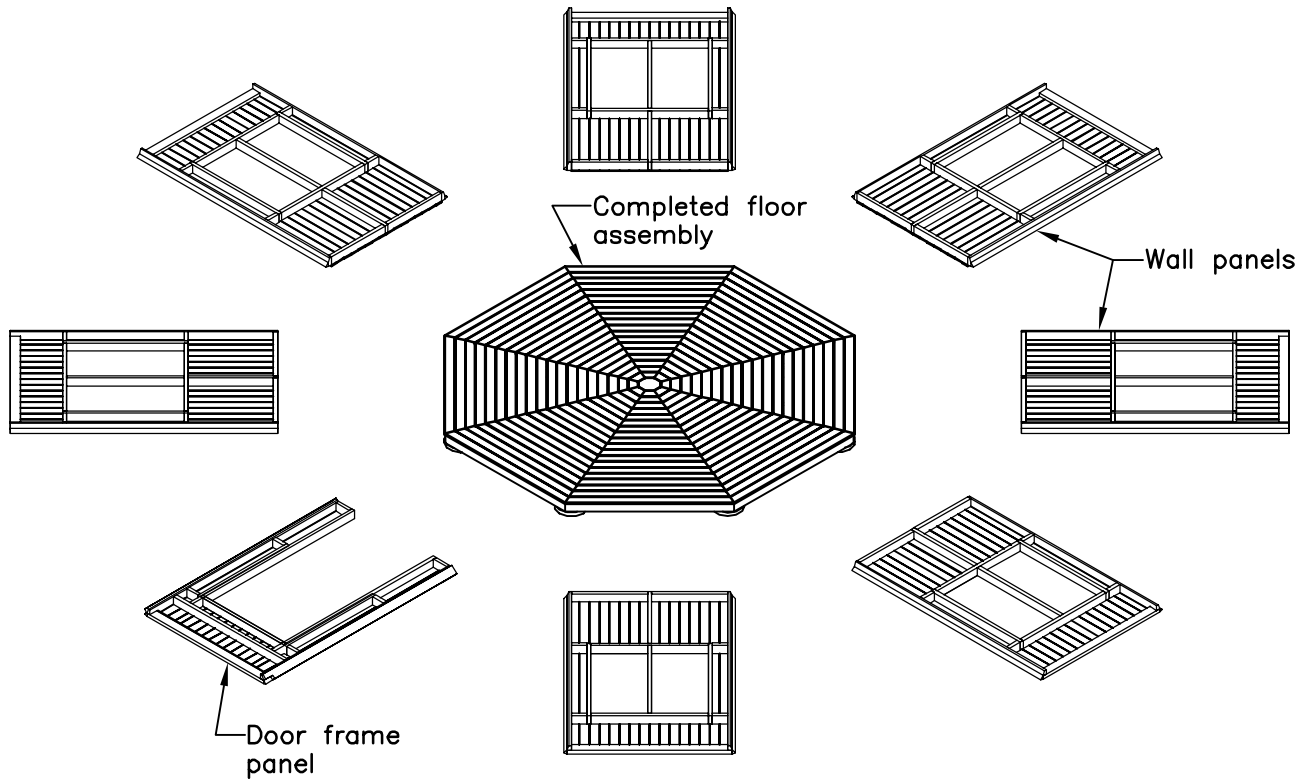


FIGURE S9

● Start erecting the wall panel sections and anchoring the wall panels to the floor. By toe nailing using 3" long screws as shown in Figure 11. Wall sections must be attached together. The beveled edges of each Post will be attached to the beveled edge of the next corresponding Wall section. Use 3" screws per pair of posts and be sure to alternate the screws between the two posts at each joint. Also be sure to angle the screws into the post so they do not pierce through to the other side of the posts. You may wish to pre-drill these holes before drilling to give you a better finish.

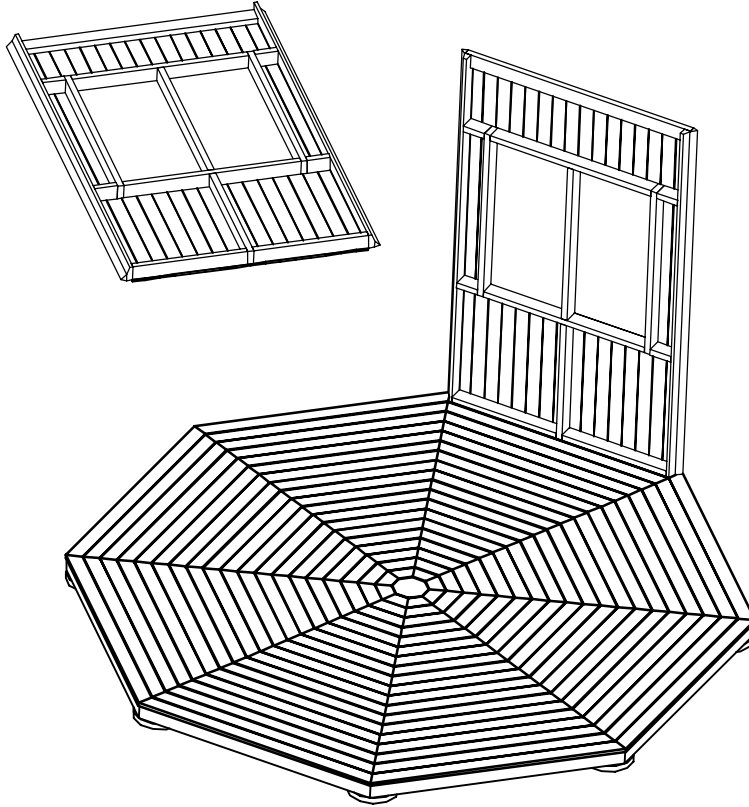
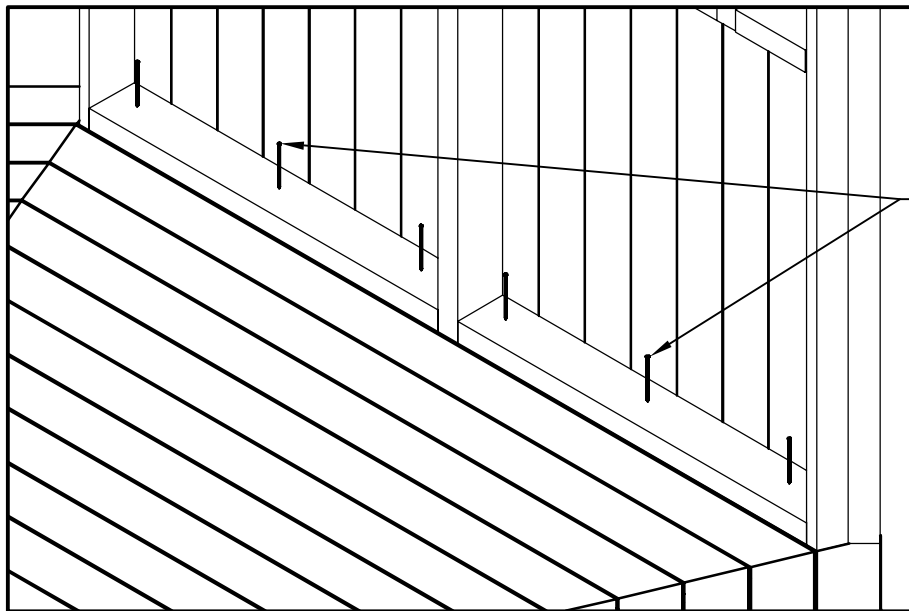


FIGURE S10



Use 6 - 3" long screws to affix the wall panel onto the floor

FIGURE S11

- Continue erecting the rest of the wall panel sections and anchoring the walls to the floor as well as to the adjacent wall panel.

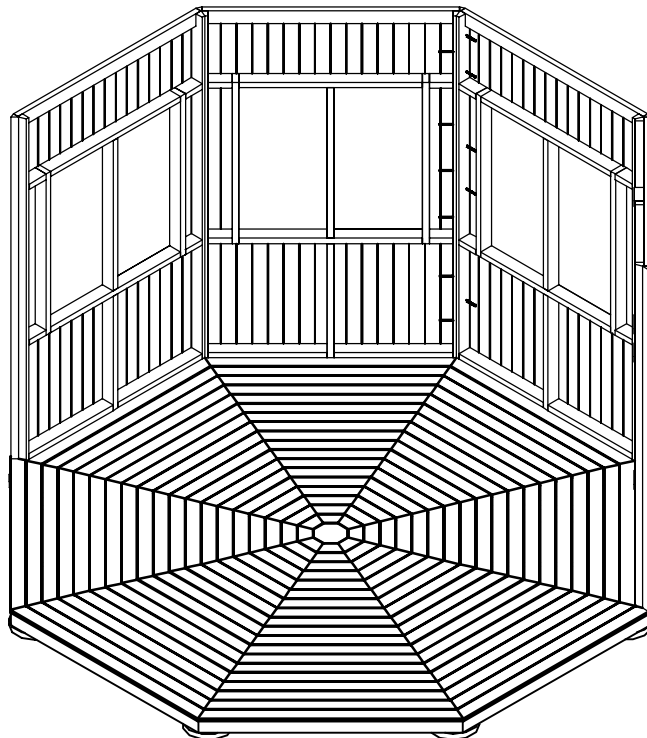


FIGURE S12

Use 3" long screws to affix the wall panel together

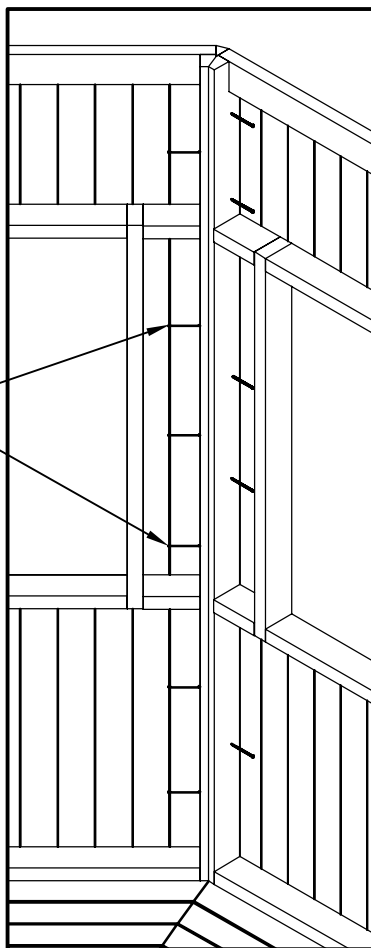


FIGURE S13

- Completed wall panel section assembly.

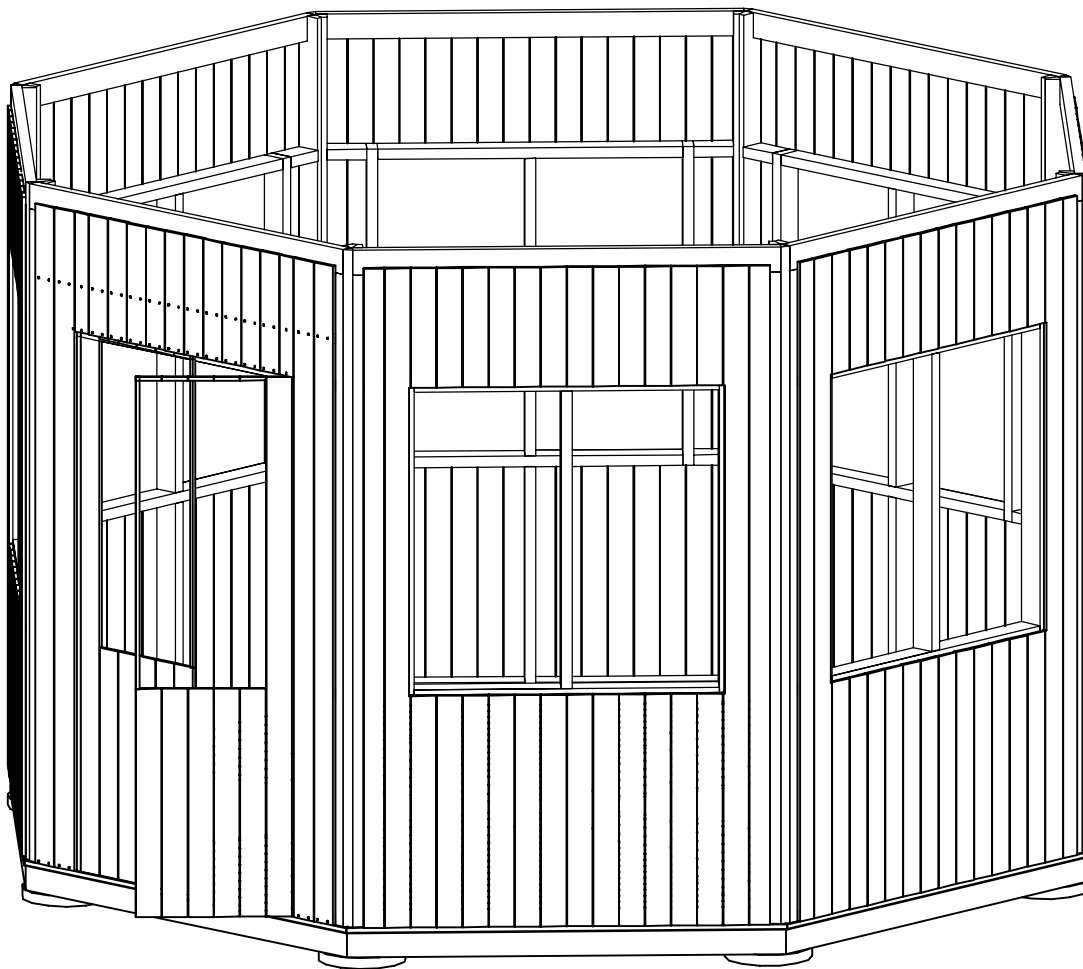


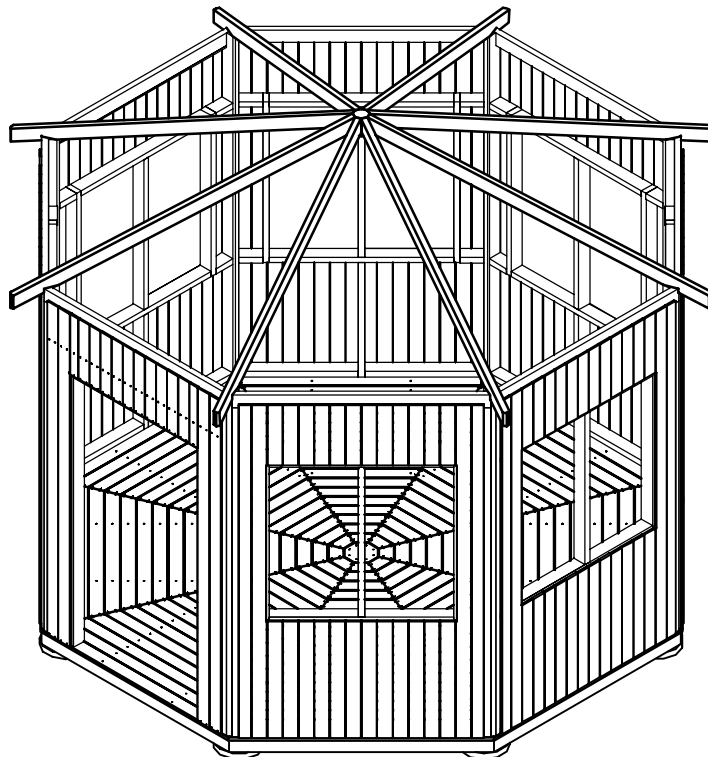
FIGURE S14

# RAFTER ASSEMBLY

The Rafters use similar but not identical design as the Floor Joists system.

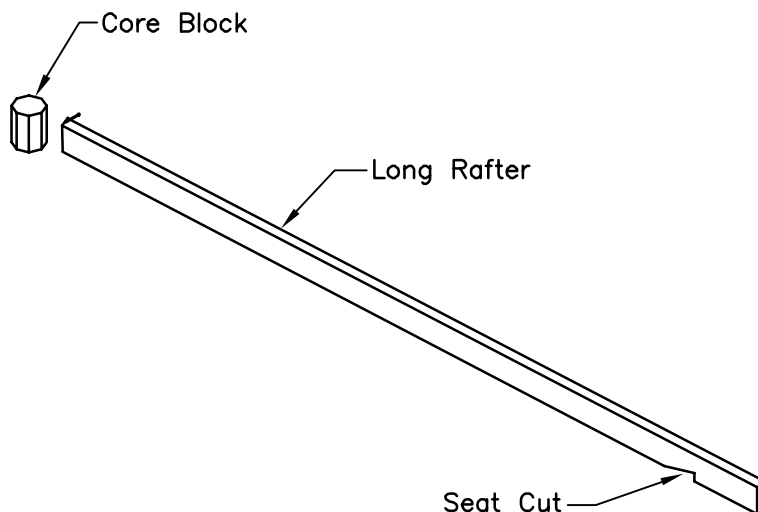
You will require help of another person or sometime of two people while working on the Rafters and Roof assembly. You'll also need a 6' Step Ladder and a 8' Step Ladder.

- While on the ground, fasten the Roof Core Block to Long Roof Rafter. The seat cut on the Long Roof Rafter will fit over the Header, so be sure that the seat cut is facing down. The opposite end of the Long Roof Rafter will be fastened to the Roof Core Block. Using a 3" screw, toenail the Long Roof Rafter to Roof Core Block. It is helpful if you pre-drill holes using a  $\frac{1}{8}$ " bit. Be sure the top of the Roof Core Block and Long Roof Rafter are flush.



- A helper is necessary at this point. Have your helper climb a 8' step ladder in the middle of the Gazebo Deck. The helper will hold the Long Roof Rafters and toenail a 3" screw into the Core Block. Place the seat cut of the Long Roof Rafter flush over joint formed by two Headers. Once the seat cut is flush, you can tack the Long Roof Rafter to the Headers using a 3" screw at an angle. To avoid splitting the Long Rafters at the seat cut, you may wish to pre-drill screw holes at a 45 degree angle.

FIGURE S15



- You can determine the positioning of the short roof rafters by placing the soffits in between and flush up against the header as shown below. Install the Short Rafters using a similar procedure as for the Long Rafters. Using two 3" screws, toenail the Short Rafter to the adjoining Long Rafters. Using two 3" screws fasten the Short Rafters are fastened in place.

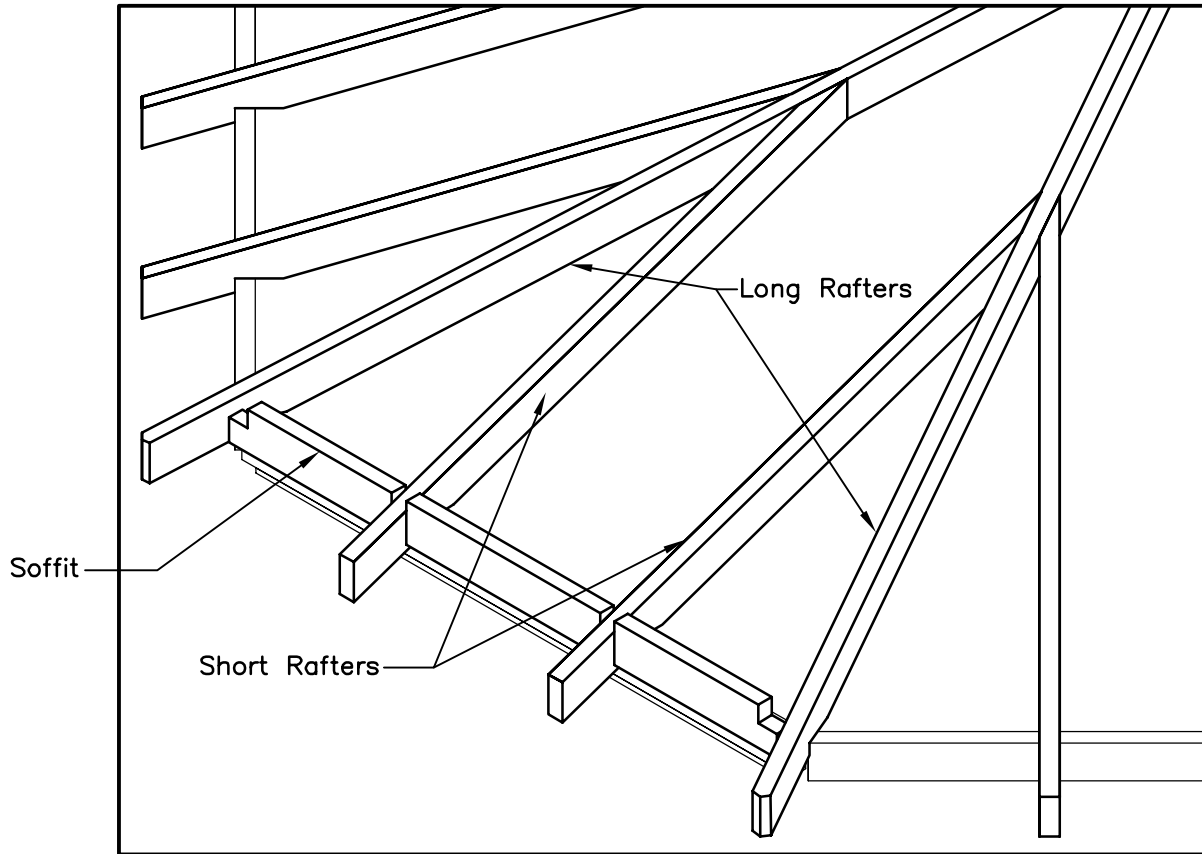


FIGURE S16

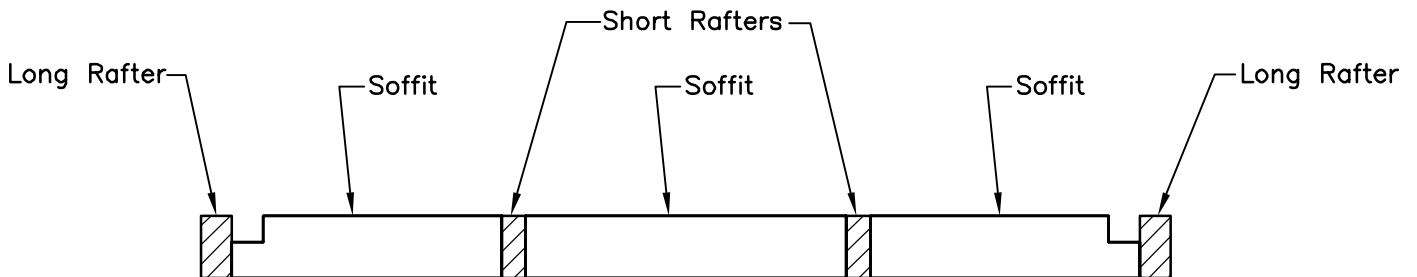


FIGURE S17

- Attach the Fascia before securing Roof Joists to the Header to ensure that the Roof lines up.

- The 1"x4" Fascia Boards run horizontally from one Long Rafter to the next. Have your helper hold one end of the Fascia Board. Then, using two 2" finishing nails, attach the other end of the Fascia Board to Long Rafter. Be sure that the end of the Fascia Board is flush with the "V" of the Long Rafter. Adjust, if necessary, the position of the Long Rafter so that the end of the Fascia Board is flush with "V" of the Long Rafter. Moving around the gazebo, complete all Fascia boards in the same fashion.

- Using two 2" finishing nails, attach the Fascia Boards to the end of the Short Rafter. Continue installing all Fascia Boards in place around the Gazebo until all are installed.

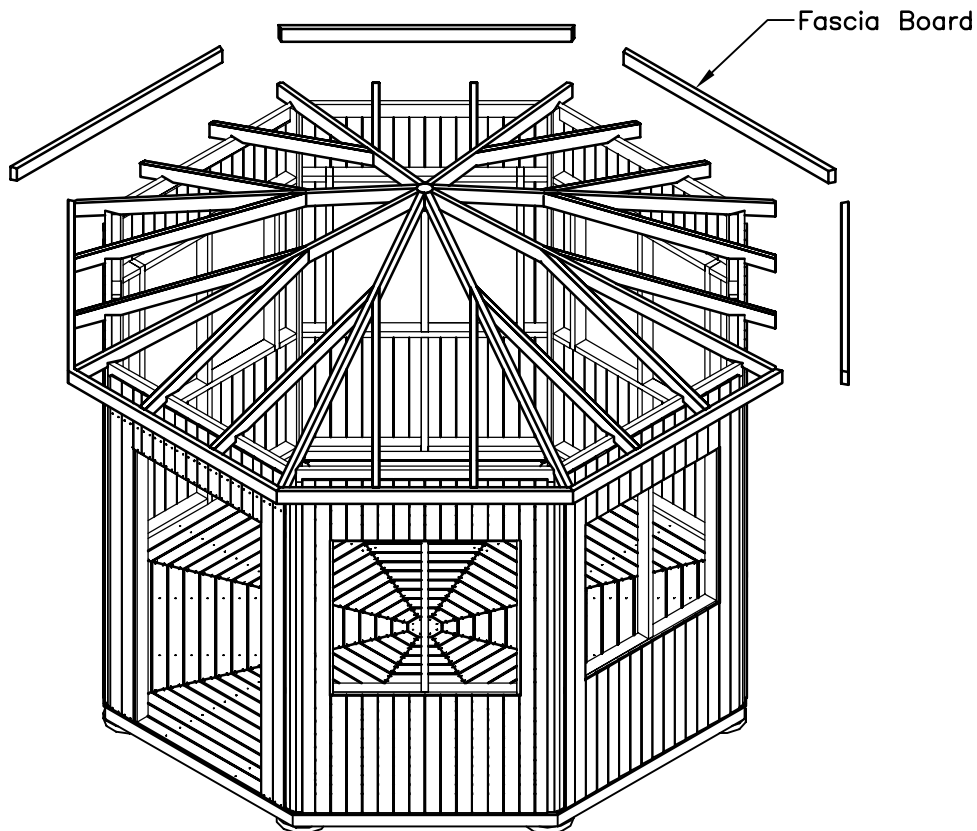


FIGURE S18

## TWO TIER ROOF ASSEMBLY OPTION

- The TWO TIER Rafter section will be assembled at this point. Toenail the Long Core Block to one of the Two Tier Rafter sections making sure that the Core Block is flush with the top of the Top Rafter. See Figure S19.

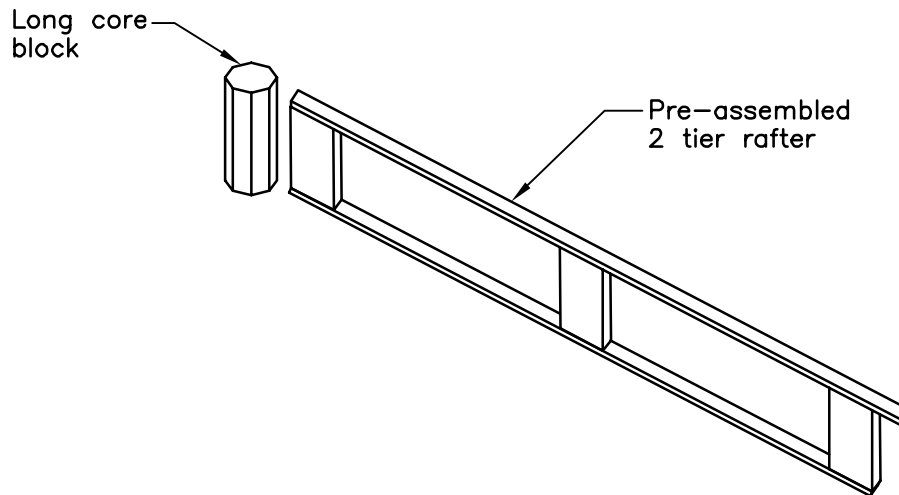


FIGURE S19

- Using your stepladder attach the Two Tier Rafter section on the Long Rafter by screwing right through the Bottom Rafter onto the Long Rafter. Use three 3" screws for this step. Take the remaining 5 Two Tier Rafter sections and systematically attach each to a Long Roof Rafter and the Long Core Block. The Long core block will sit directly over the top of the Short Core Block. See Figure S20.

### Face Rail Assembly:

- The Face Rails come pre-assembled for your convenience. You must attach a left and a right Rail Support to each end of the Face Rail. The Rail Supports are angle cut and beveled. Like the posts in the sidewall assembly earlier, the flat face will be attached to the Face rail (the beveled face will be attached to the Two Tier Rafter Sections) and the Long Rafter. The angle cut of the Rail Support will be flush with the top of the Face Rail. See Figure S20 for details. Use Two 2" screws to attach each Rail Support to the Face Rail.

### Mounting the Face Rails:

- Insert the Face Rails from above so that each Face Rail is Flush with the front of the Two Tier Rafter Supports. Using two 2" screws attach each Rail Support Post to the Two Tier Rafter Supports. See Figure S20 for details. Also, insert a screw through the Long Support Post into the Long Rafter.

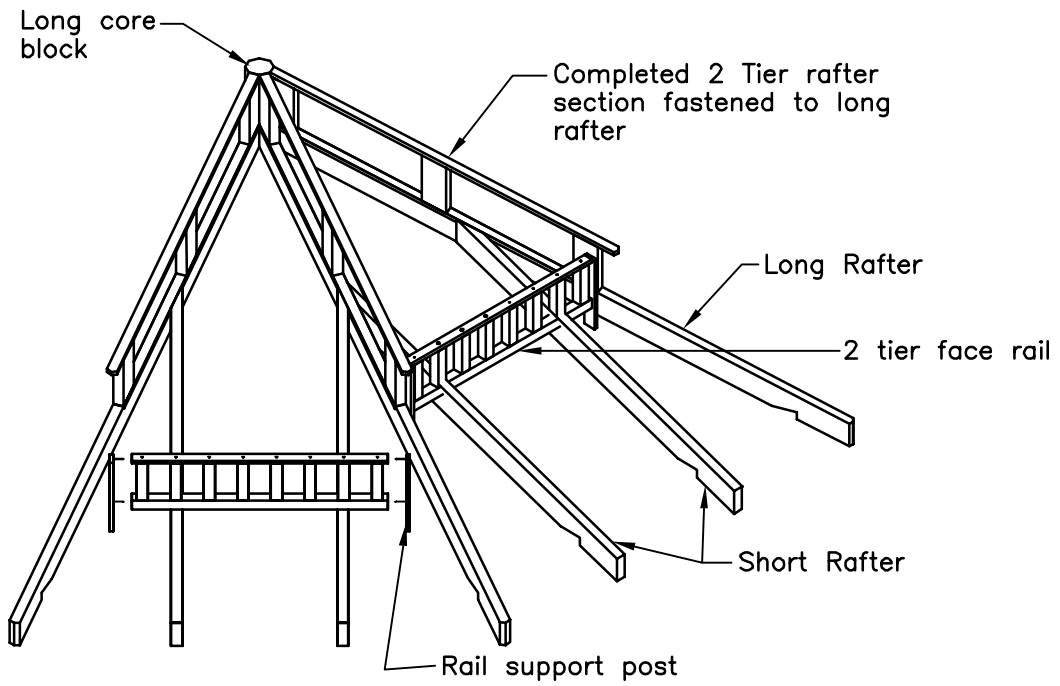


FIGURE S20

- Figure S21 illustrates the completed Two Tier roof assembly.

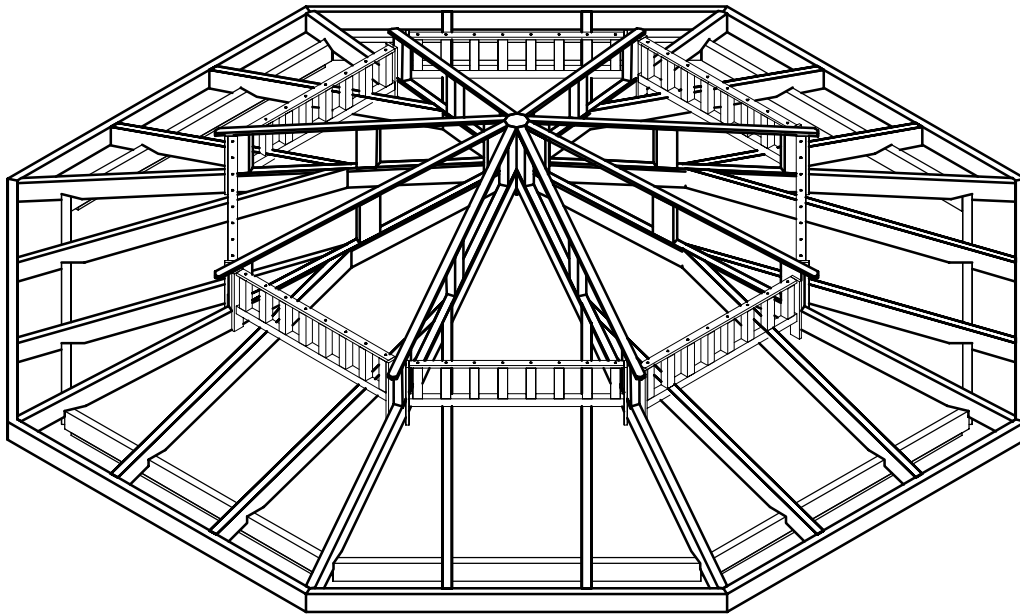


FIGURE S21

# ROOF ASSEMBLY

● The pre-assembled Roof Panels have been completed for your convenience. Place them clock-wise on top of the Roof Rafter Assembly. See Figure S22. If you have a Two Tier Roof you will be required to place 12 panels down for Hexagon and 16 panels down for Octagon. Start with the lower sections first. See Figure S23.

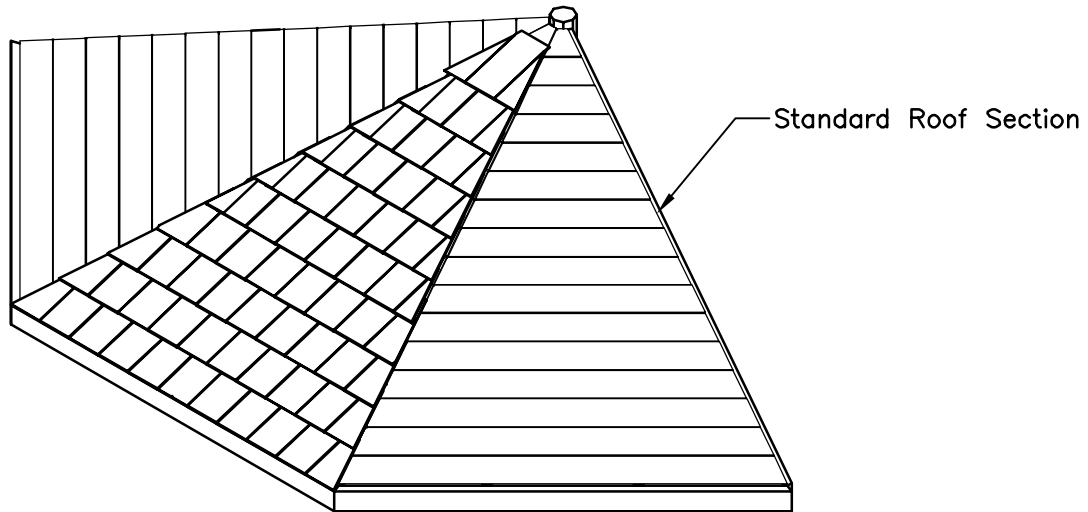


FIGURE S22

● Securing the Roof to the Rafters; From inside the Gazebo, screw the Roof Panels to the Long Roof Rafter, Using 3" long screws. The screw will go from the 1x2 member of the Roof panel into the Long Roof Rafter at an angle. Please use 4 screws per panel. Continue to complete all remaining sections.

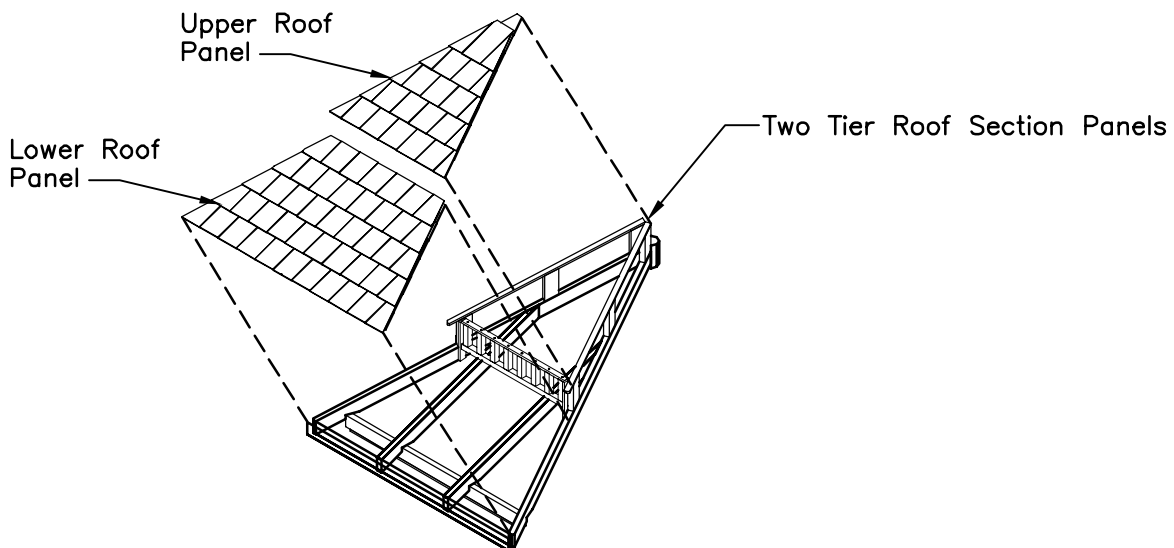


FIGURE S23

- The Hexagon Gazebo comes with 5 Benches and Octagon comes with 7. Each Bench has two legs. Attach both sets of legs to the Bench seat using 3" screws. See Figure S24.
- The back of each bench has a notch which will fit against the gazebo Post. Position each bench and screw in two places: fasten the legs into the Deck, and fasten the Balusters into Bench seat.

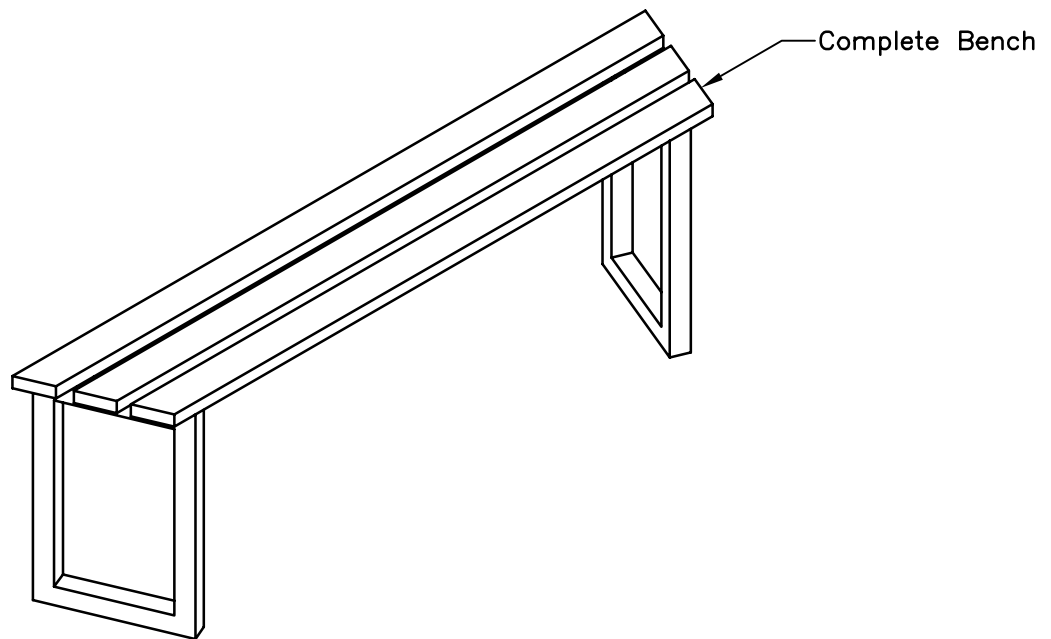


FIGURE S24

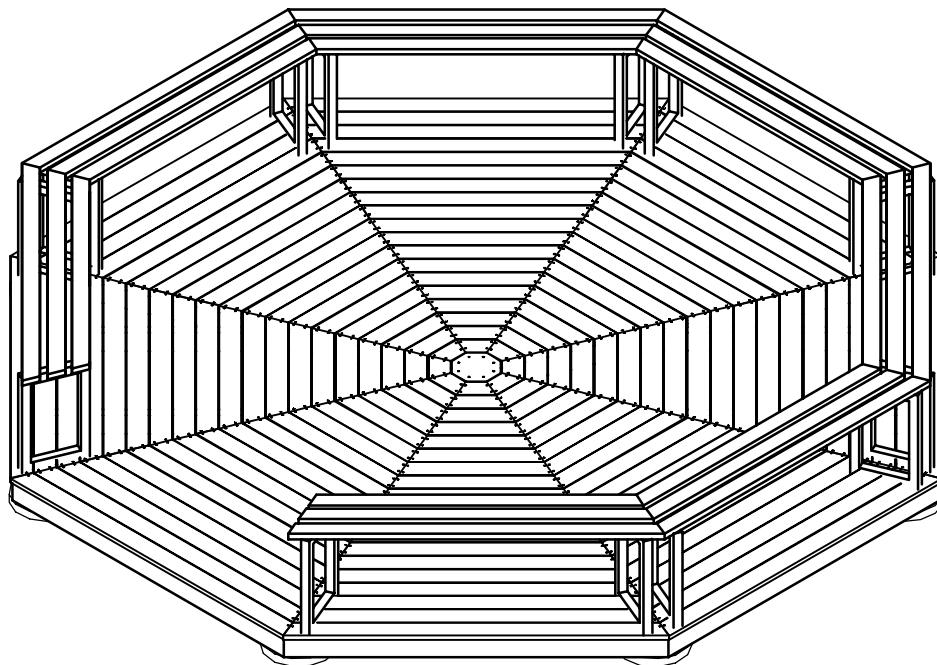


FIGURE S25

# RIDGE CAP INSTALLATION

- The Ridge Caps are placed over the Long Roof Rafters and cover the seam between any two Roof Panels. See Figure S26. Note that the Ridge Caps are installed from the bottom up. Place the first Ridge Cap with the bottom edge  $\frac{1}{2}$ " beyond the outside edge of the Shingles. Using 2" roofing nails, fasten the Ridge Cap to the Shingles.

- The second row of Ridge Caps is placed so that the bottom edge overhangs the bottom edge of the first course by  $\frac{1}{4}$ ". Place nails  $8\frac{1}{2}$ " from the bottom edge of the Ridge Cap.

- Install the third and subsequent courses  $7\frac{1}{2}$ " higher than the preceding course. Use the bottom edges of the shingles as your guide. Remember to place nails  $8\frac{1}{2}$ " from the bottom edge of the Ridge Cap.

- Proceed until you are approximately 1 foot from the Roof Peak. The Cupola will be fitted at this point.

- If you chose the Two Tier Roof option, it will also be necessary to cut the Ridge Caps as you approach the Face Rail Plate that extends from the first tier to the second tier.

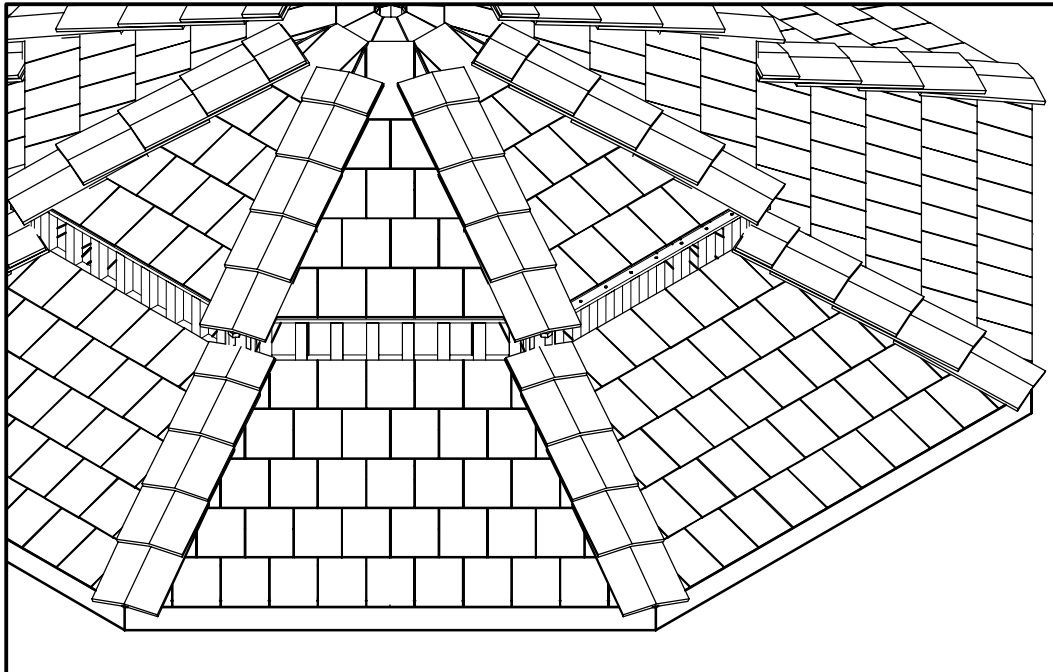


FIGURE S26

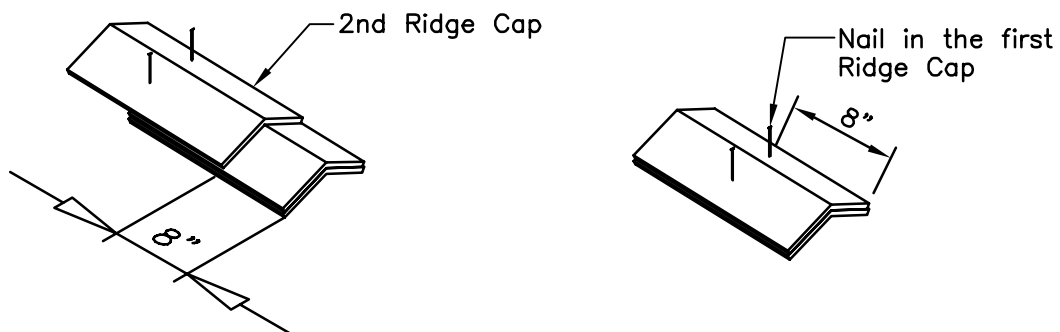


FIGURE S27

# CUPOLA INSTALLATION

- The Cupola has been partially pre-assembled. You can assemble it on the ground, and then place it in position on the Roof when completed.
- Fasten the beveled sidewall pieces together. Place the Roof on and secure it using two 3" screws per side.
- When all six sides are completed place the large Cap on the top of the gazebo. Be certain to level the Cap. Secure the Cap using three 3" screws. Screw from the top down into the Sidewall pieces.
- Secure the small Cap to the large cap using three 3" screws.
- To mount the Cupola on Roof peak, remember to line up the Cupola posts with the Roof Seams. The bottoms of the Cupola Walls have been beveled to seat properly on the Roof. See Figure S28.
- Continue with the Ridge caps to complete the Roof. Trim the last one or two to fit snug up against the Cupola. Use an exacto knife to trim that last Ridge Cap.

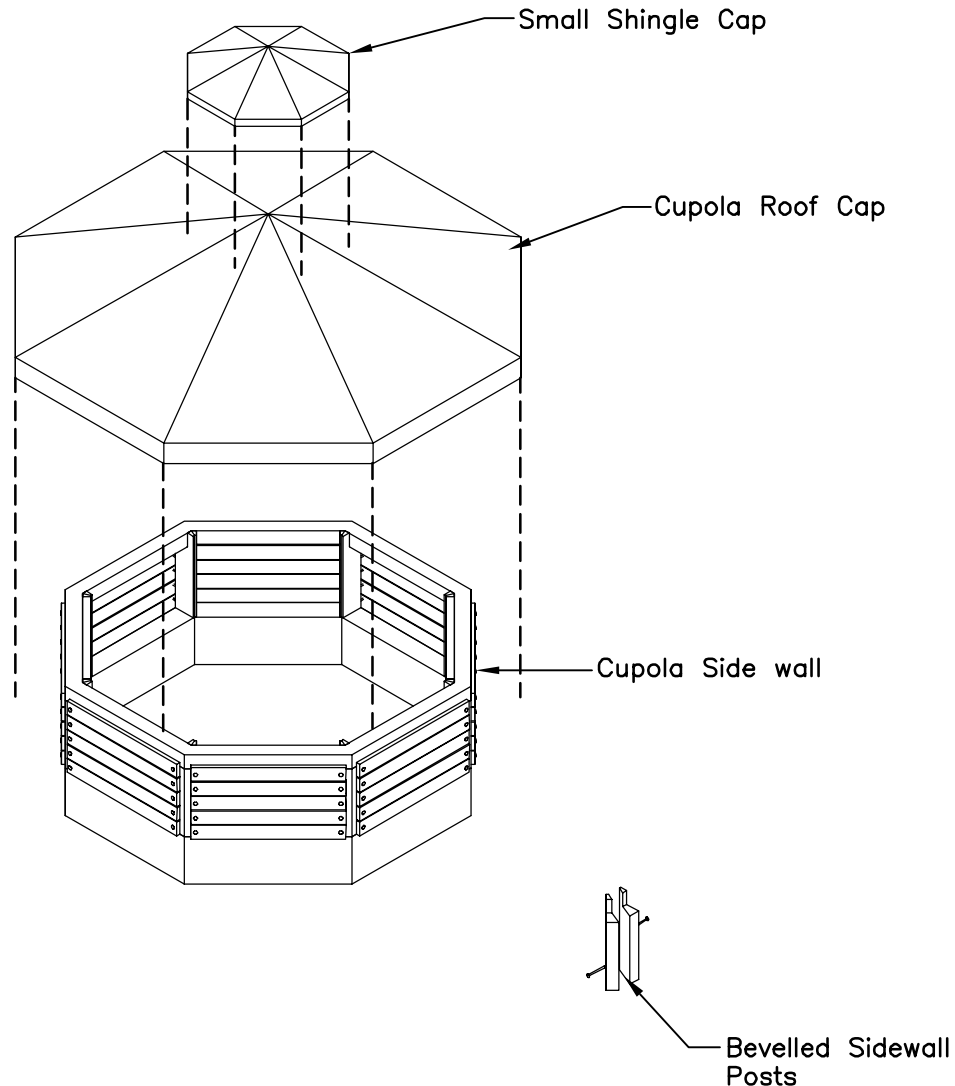


FIGURE S28

# SOFFIT INSTALLATION

There is a small hole under each Short Rafter. These small holes will be hidden by the 1"x2" Soffit Trim which will be mounted over the hole. The Soffit will be attached under the Rafters and over the top of the seam formed by the T&G over the Window Door pieces.

The Corner Trim can now be attached. The Corner Trim boards are the edge angled 1x4" pieces. Each piece is about 7 feet long and when the two pieces are joined together by the beveled edges it will form the same angle as formed by the attached Sidewalls. Push the Corner Trim up against the bottom side of the Long Rafters and attach over posts using eight 2" finishing nails per Trim Board. See Figure S29 for details. If you wish to wire electricity into the all Season Gazebo, the wire can be run inside this gap between the Posts and will be hidden by Corner Trim Boards.

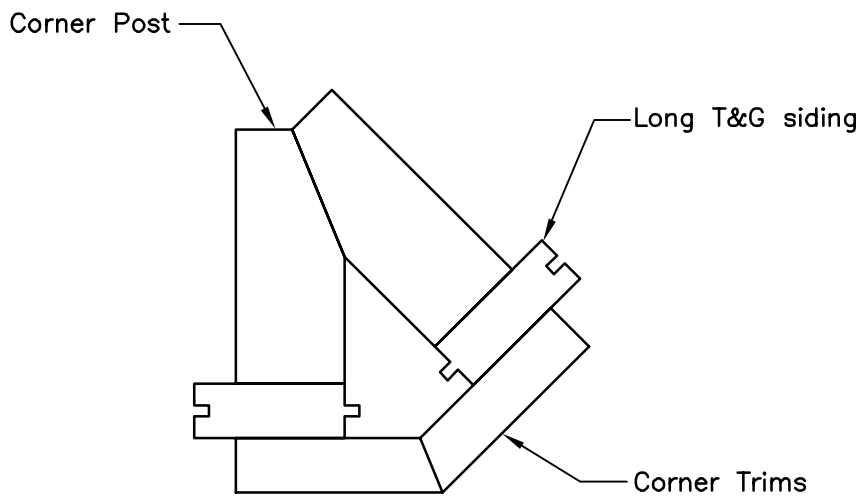


FIGURE S29

# CONGRATULATIONS!

You have successfully completed the assembly of your Cedarshed All Season Gazebo. We hope that your entire experience was a rewarding one and we hope you and your family will enjoy our product for years to come.

Call Cedarshed if you require additional information.

TOLL FREE CUSTOMER SUPPORT: 1 800 830 8033

Mailing address:

In Canada:  
Cedarshed Industries (1992) Inc.  
9770 – 199A Street  
Langley, BC V1M 2X7  
Canada

In USA:  
Cedarshed Industries (1992) Inc.  
P.O. Box 2189  
Blaine, WA 98231  
USA

